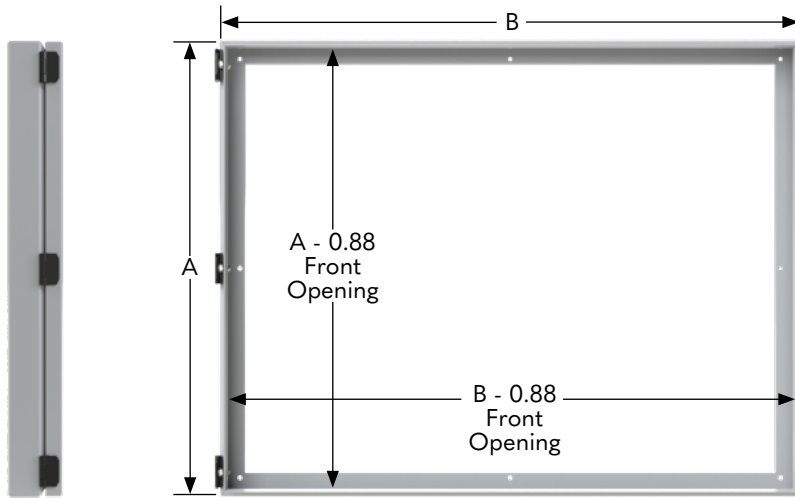
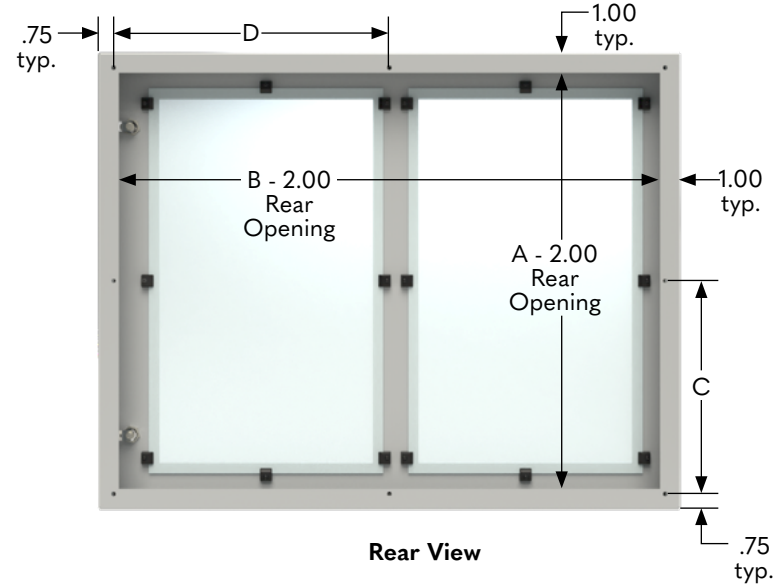


LARGE HINGED WINDOW ENCLOSURE

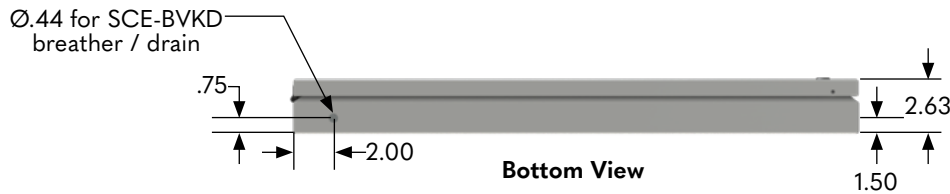


Hinge Side View

Front View
(Door Removed)

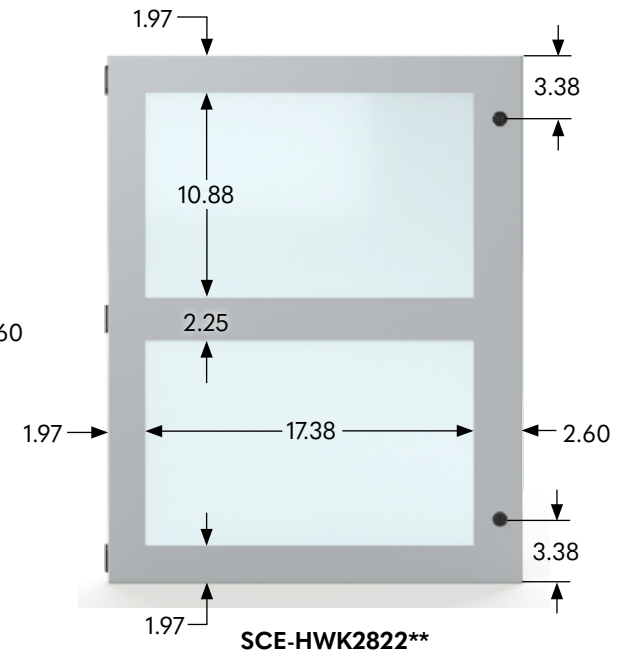
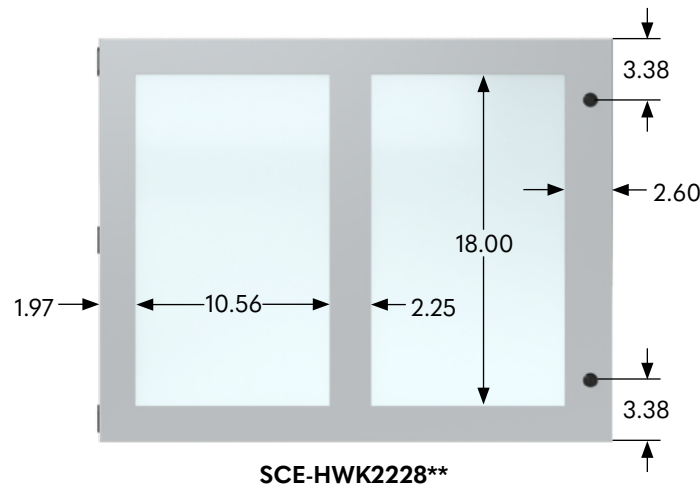


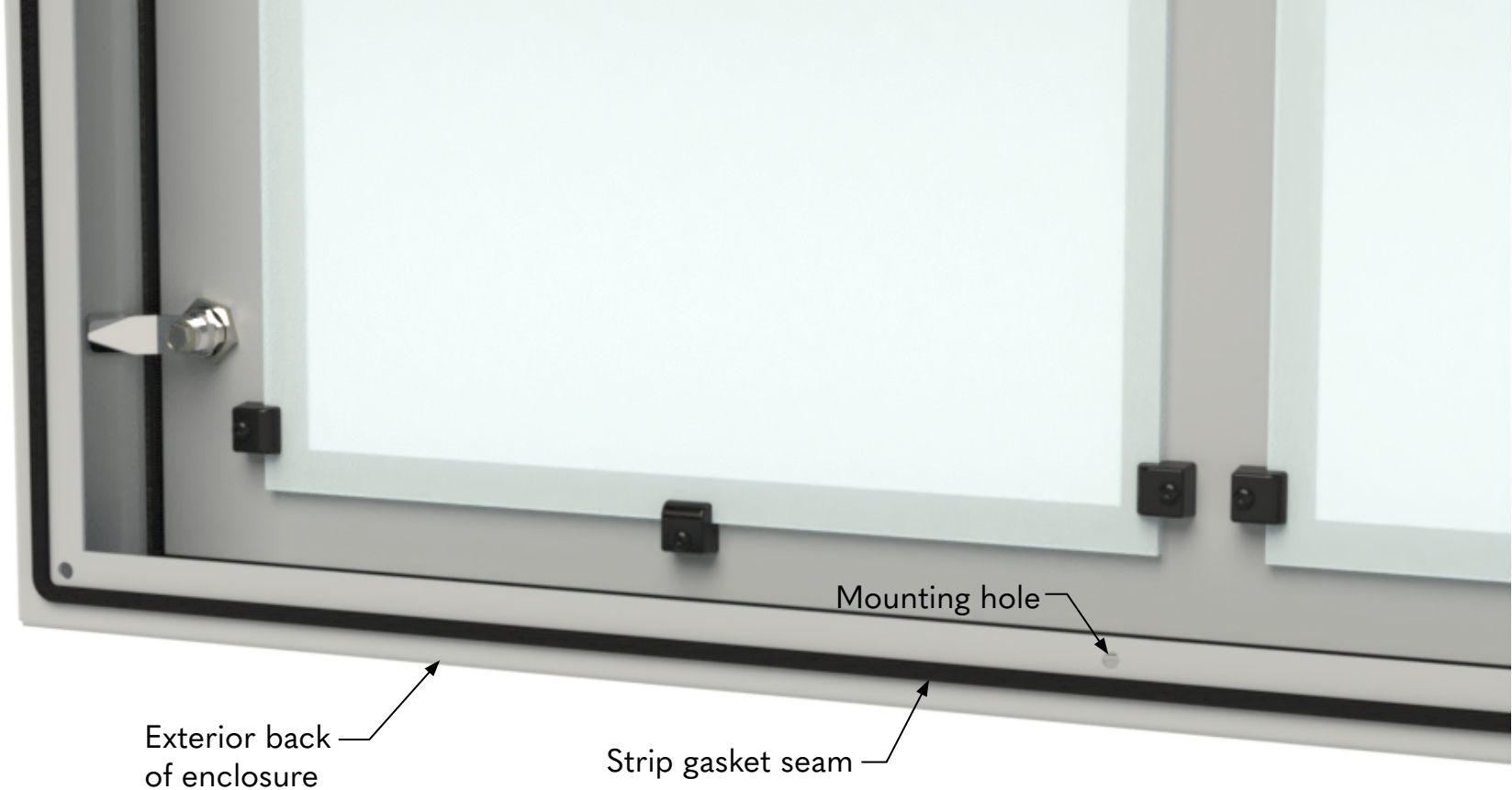
Rear View



Bottom View

Catalog Number	A	B	C	D
SCE-HWK2228				
SCE-HWK2228LG	22.00	28.00	10.25	13.25
SCE-HWK2228SS				
SCE-HWK2822				
SCE-HWK2822LG	28.00	22.00	13.25	10.25
SCE-HWK2822SS				





- A. Apply strip gasket provided with bolt pack to the exterior back of the enclosure.
- B. Start applying the strip gasket centered at the bottom of the enclosure.
- C. The strip gasket needs to be applied in one continuous path, on the outside of each mounting hole.
- D. End with the strip gasket seam centered at bottom of the enclosure, flush to the starting point.



Your Enclosure Source[®]