

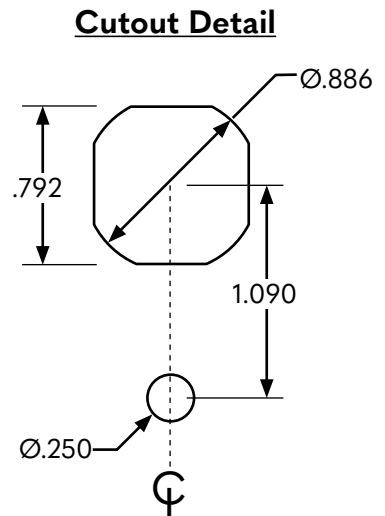
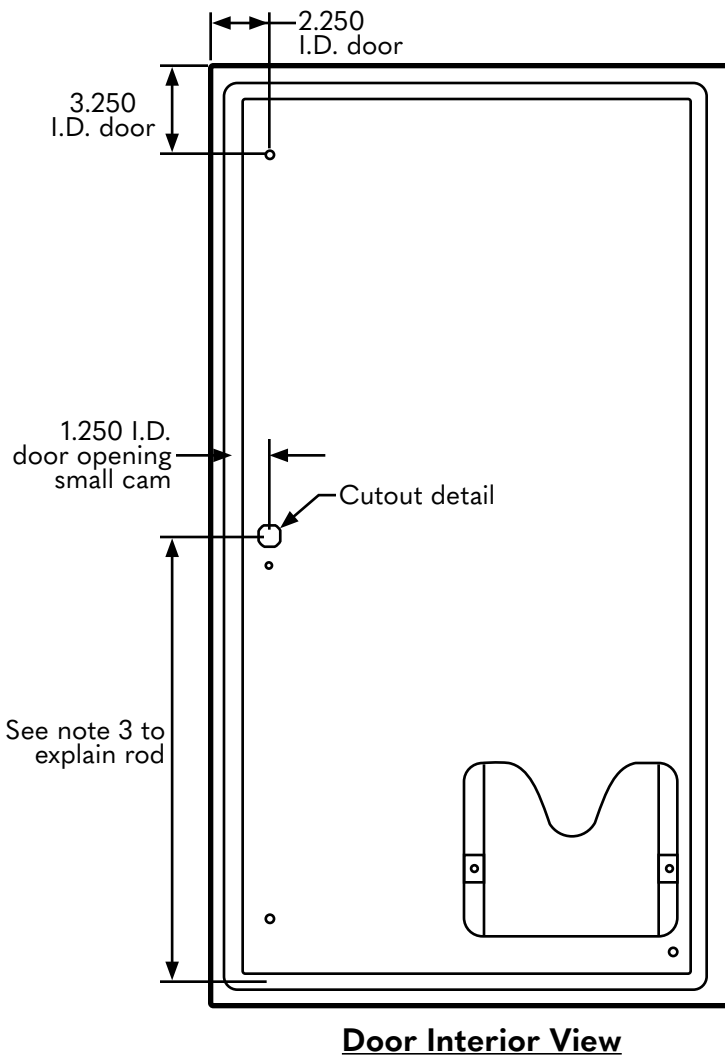
PADLOCK DOOR HANDLE WITH SMALL DOOR ROD KIT

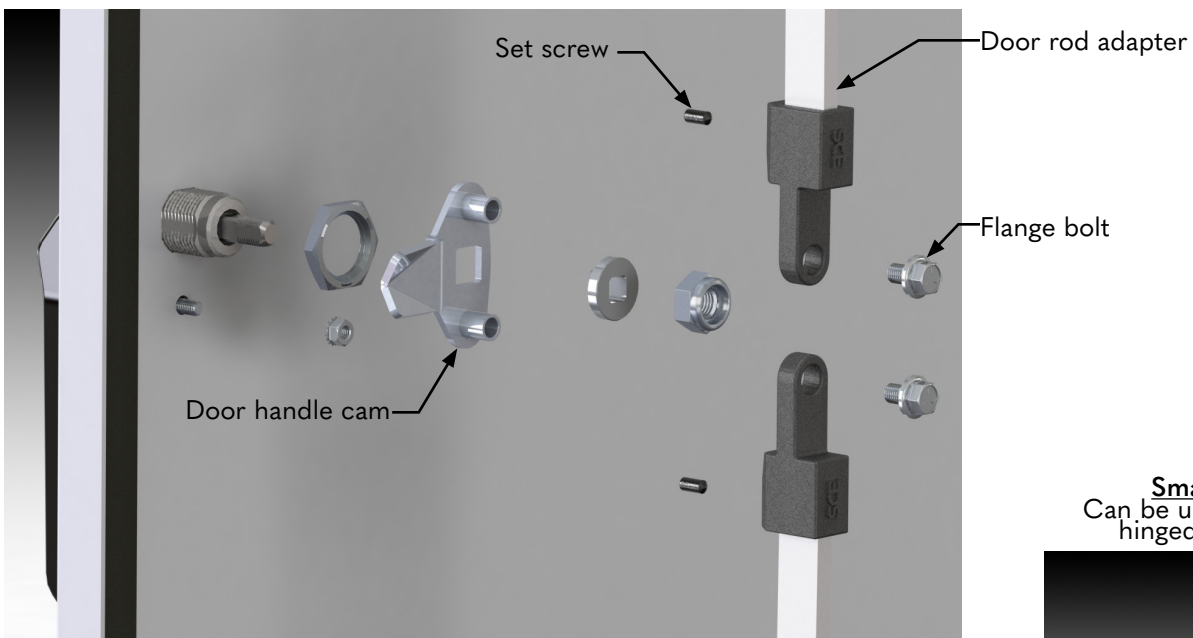
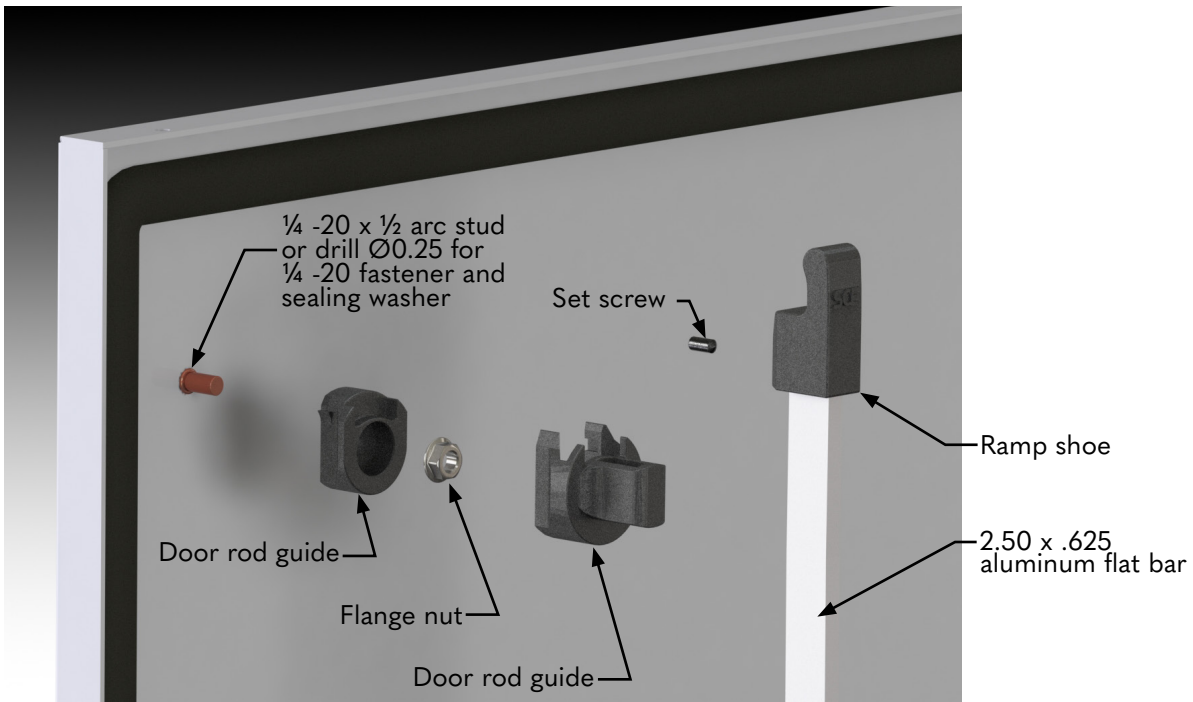
Small Rod Kit - SCE-103370
 Small door rod kit for 2 or 3 point latching



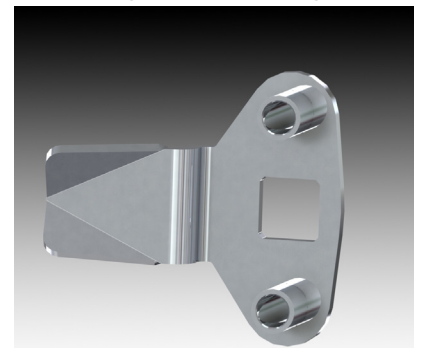
Installation of SCE door hardware on enclosures that do not have handles, or provisions for handles.

1. Locate and drill handle and rod guide mounting holes.
2. Install rod guides.
3. Measure door opening height.
 - Door rod length = (door opening height/2) - 2.125"
 - Door rod assembly length = (door opening height/2) + 2.33"
4. Install door handle and latch (cam).
5. Insert door rod through the rod guide before assembling the ramp shoes.
6. Install ramp shoes to the door rods and then attach door rods to the latch plate.





Small Dual Cam
 Can be used for both doors hinged on left or right



Recommended Handles

- SCE-PH5 (5.00 padlockable handle)
- SCE-PCH5 (5.00 padlockable slotted coin proof handle)
- SCE-PCH5-7SC (5.00 padlockable 7mm square coin proof handle)
- SCE-PKH5 (5.00 padlockable key locking handle)
- SCE-PH7 (7.00 padlockable handle)
- SCE-PCH7 (7.00 padlockable slotted coin proof handle)
- SCE-PCH7-7SC (7.00 padlockable 7mm square coin proof handle)
- SCE-PKH7 (7.00 padlockable key locking handle)