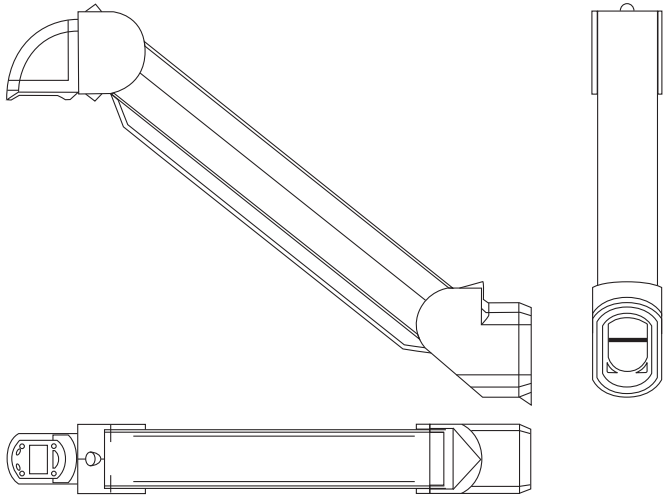
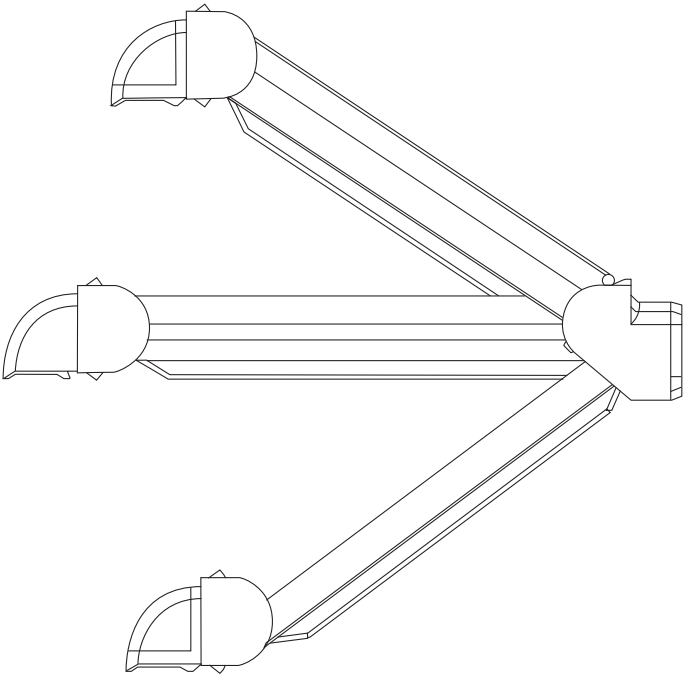


# COUNTER BALANCE



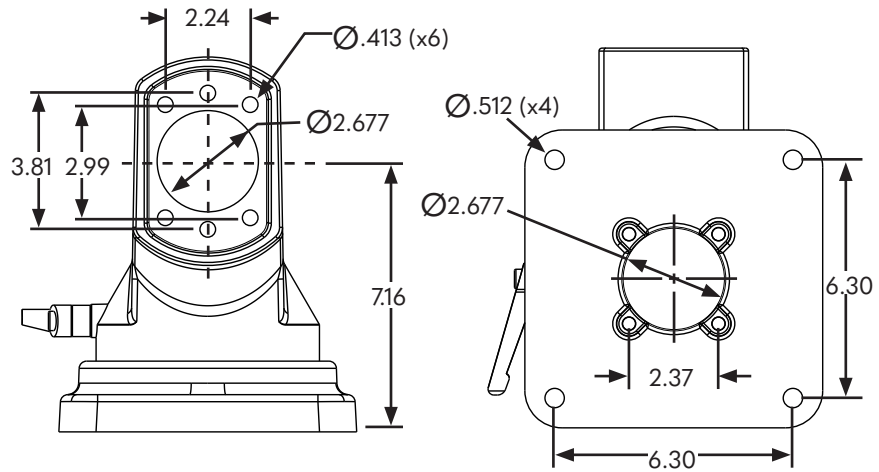
PART NUMBER	LOAD CAPACITY LBS
SCE-SAHCB44T61	44-61
SCE-SAHCB79T97	79-97



SCE-SAH310TMJ



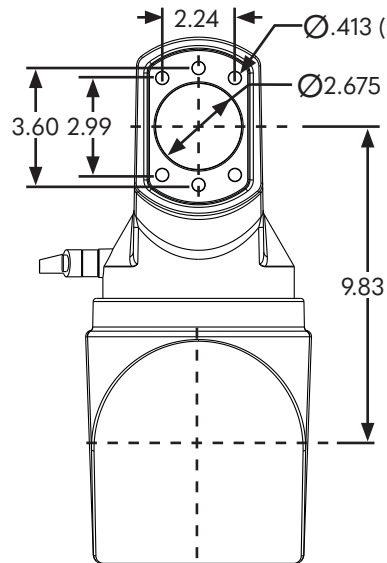
Mounting Hole Pattern



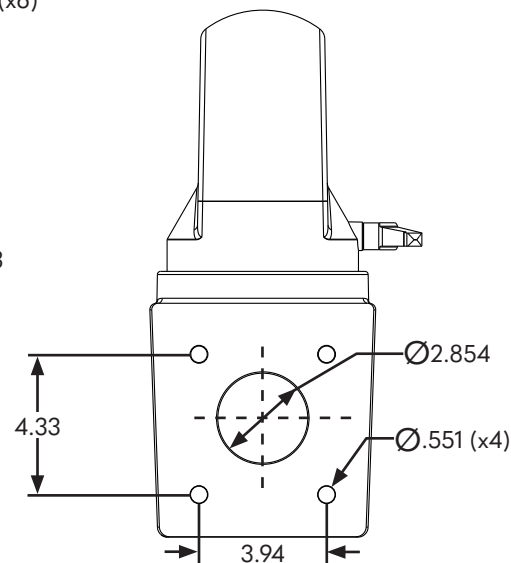
SCE-SAH230WH



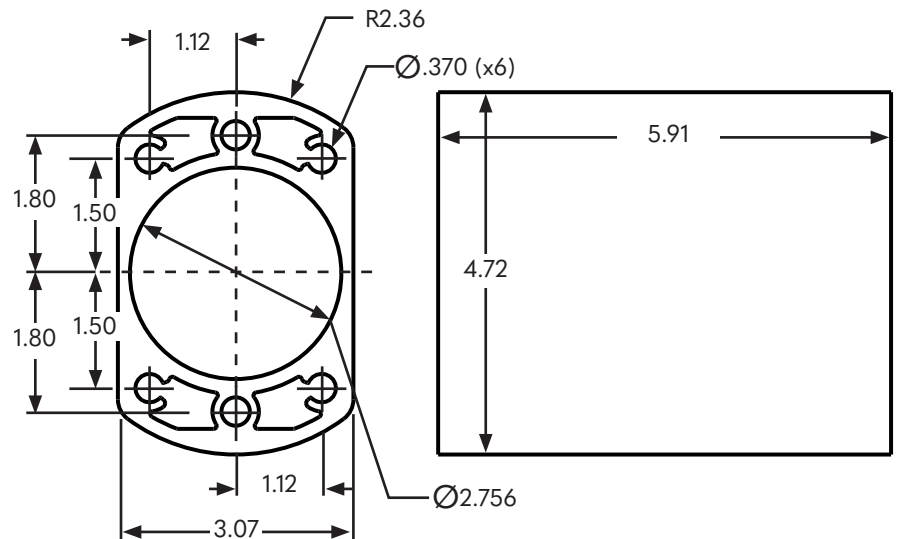
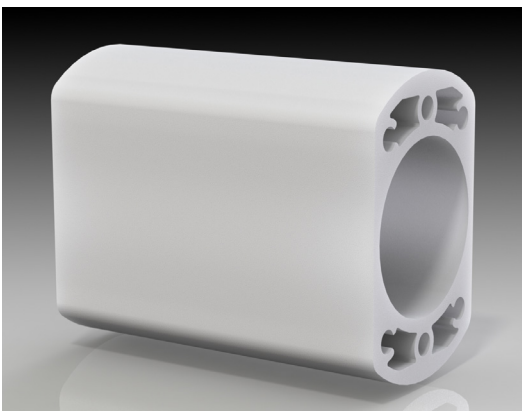
Tube Opening



Enclosure Mounting Hole Pattern



SCE-SAH06TC





Push button locking mechanism used to adjust the arm height that suits the operator.

Rotating couplings have adjustable tension brakes to control movement while in use.

