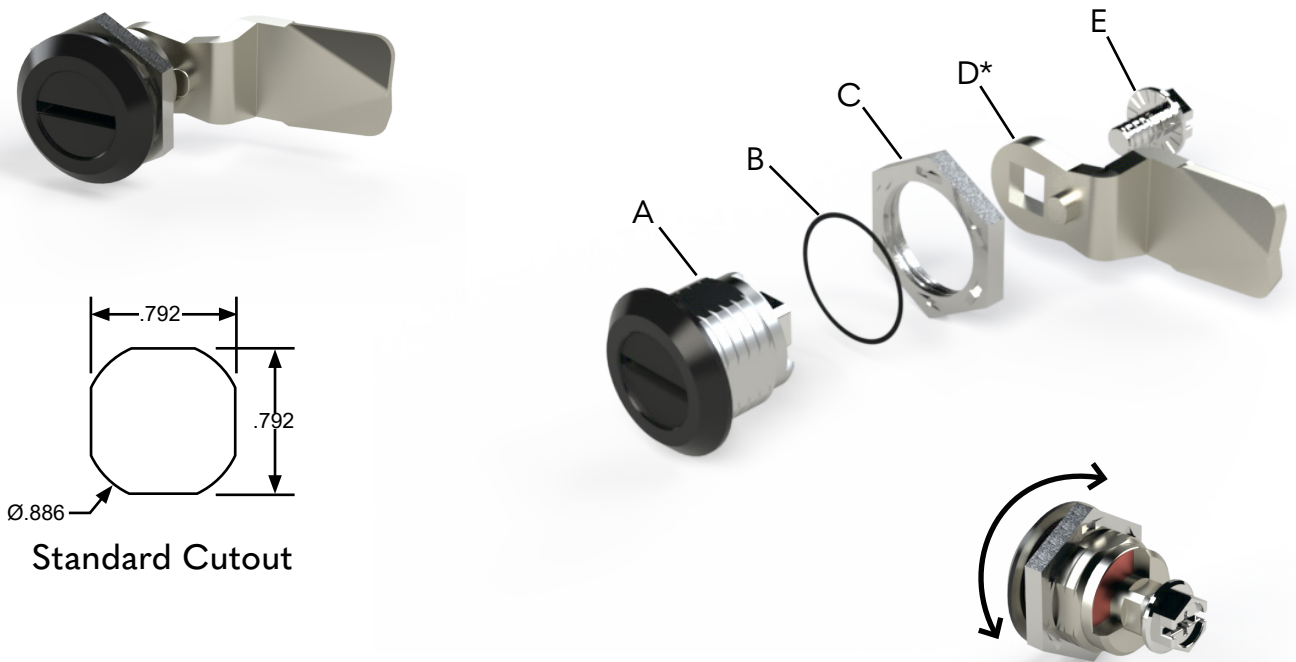


QUARTER TURN INSTALLATION

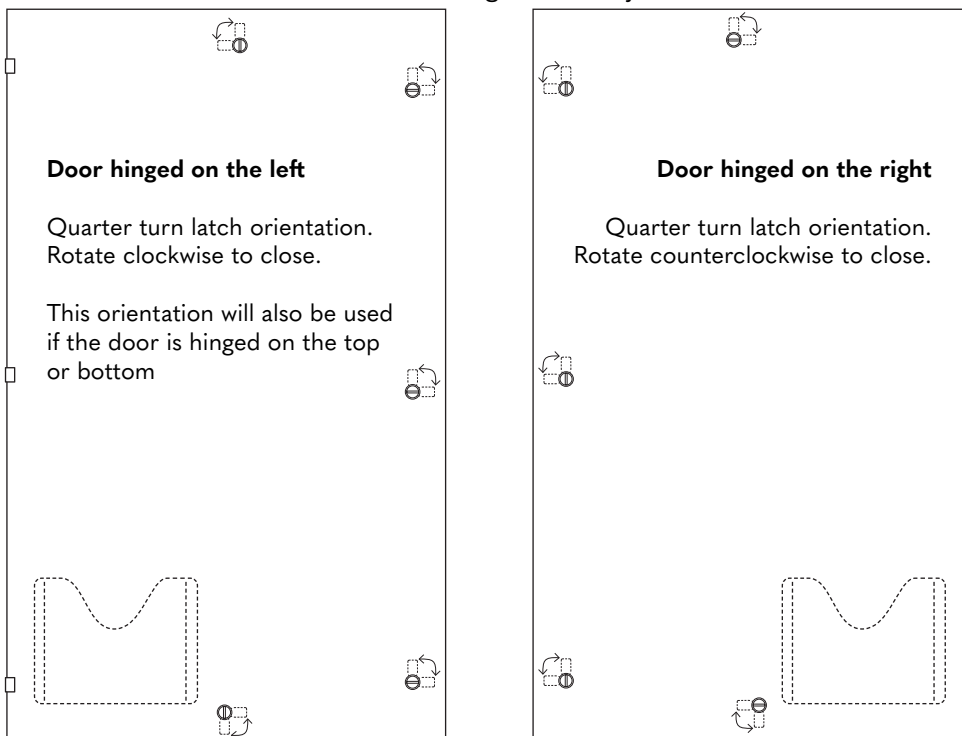
Standard SCE quarter turn latches

All quarter turn latches contain an insert (A), which could be slotted, wing knobbed, padlocking, or many more; a seal (B); an earth nut (C); a cam* (D); and a screw (E). The quarter turn insert (A) will have 1/4th cut out from the backside, indicating the path the cam (D) will travel in order to lock the door. See Figure 1 for orientation.

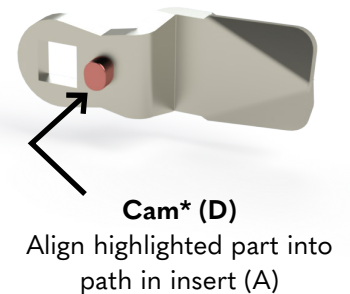


Standard Cutout

Figure 1
Front of door view. Dashed lines showing hidden objects.



Backside of quarter turn insert (A)
Cam path highlighted red



***Note:**

Some replacement latch packs will contain both a 28mm and a 6mm cam. The 6mm have a different shape and size as the cam shown here but will follow same procedure.