

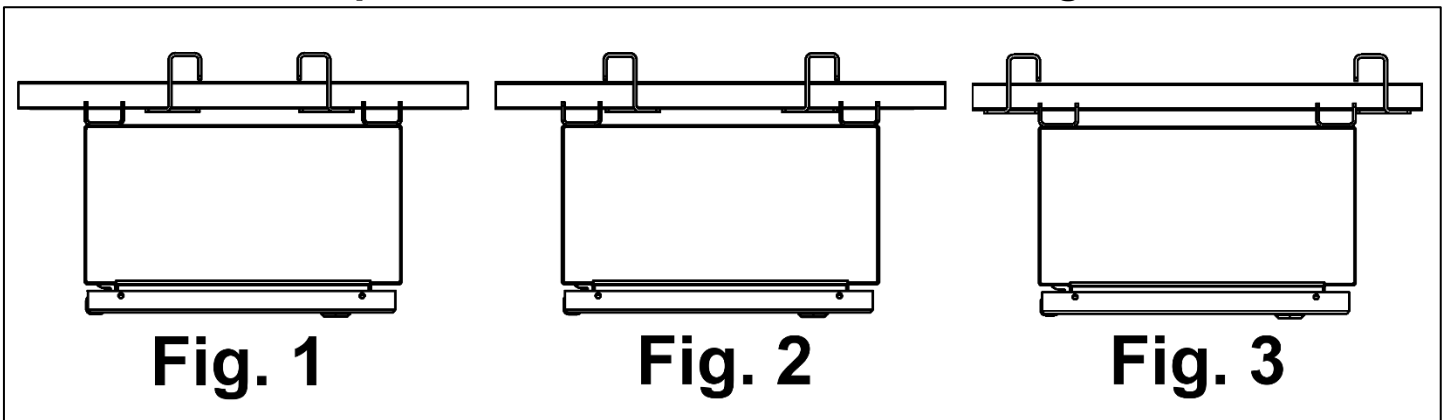
# POLE MOUNTED KIT



## Pole Mount Kit Sizing Chart

EL Enclosure Width	Recommended Kit	Pole Diameter	Reference Figure
12"	SCE-PMK17	4"-6"	Fig. 1
12"	SCE-PMK17	>6"-12"	Fig. 2
12"	SCE-PMK17	>12"-16"	Fig. 3
14"	SCE-PMK17	4"-12"	Fig. 1
14"	SCE-PMK17	>12"-16"	Fig. 2
16"	SCE-PMK26	4"-16"	Fig. 1
20"	SCE-PMK26	4"-16"	Fig. 1
24"	SCE-PMK26	4"-16"	Fig. 1
30"	SCE-PMK32	4"-16"	Fig. 1
HLP Enclosure Width	Recommended Kit	Pole Diameter	Reference Figure
12"	SCE-PMK17	4"-16"	Fig. 3
14"	SCE-PMK17	4"-5"	Fig. 2
14"	SCE-PMK17	> 5"-16"	Fig. 3
16"	SCE-PMK17	4"	Fig. 1
16"	SCE-PMK17	>4"-10"	Fig. 2
16"	SCE-PMK26	> 10"-16"	Fig. 3
20"	SCE-PMK26	4"-16"	Fig. 1
24"	SCE-PMK26	4"-16"	Fig. 1
30"	SCE-PMK32	4"-16"	Fig. 1

## Strap Bracket Orientation Reference Figures



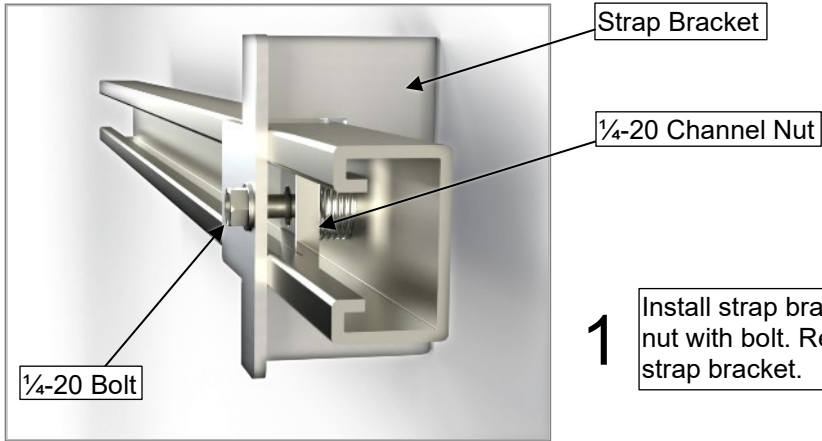
**Fig. 1**

**Fig. 2**

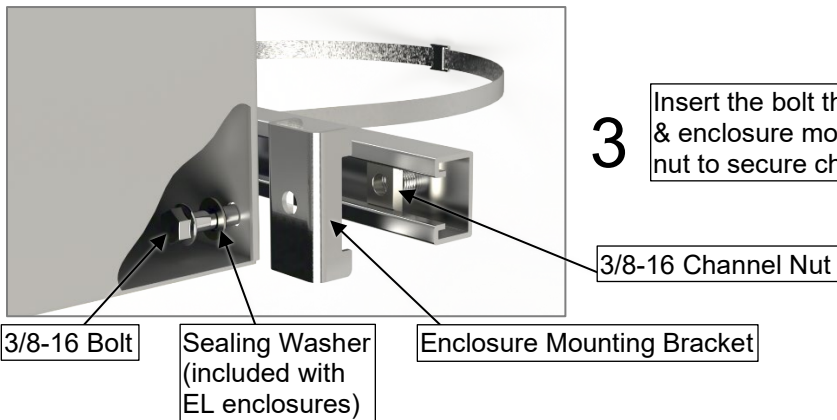
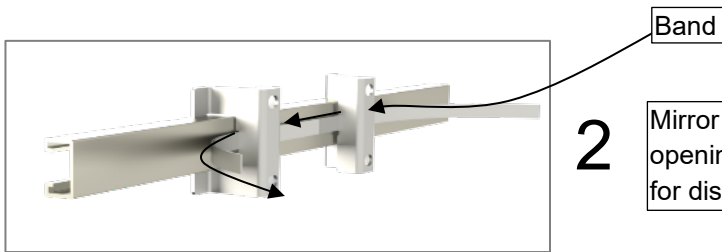
**Fig. 3**

# POLE MOUNTED KIT

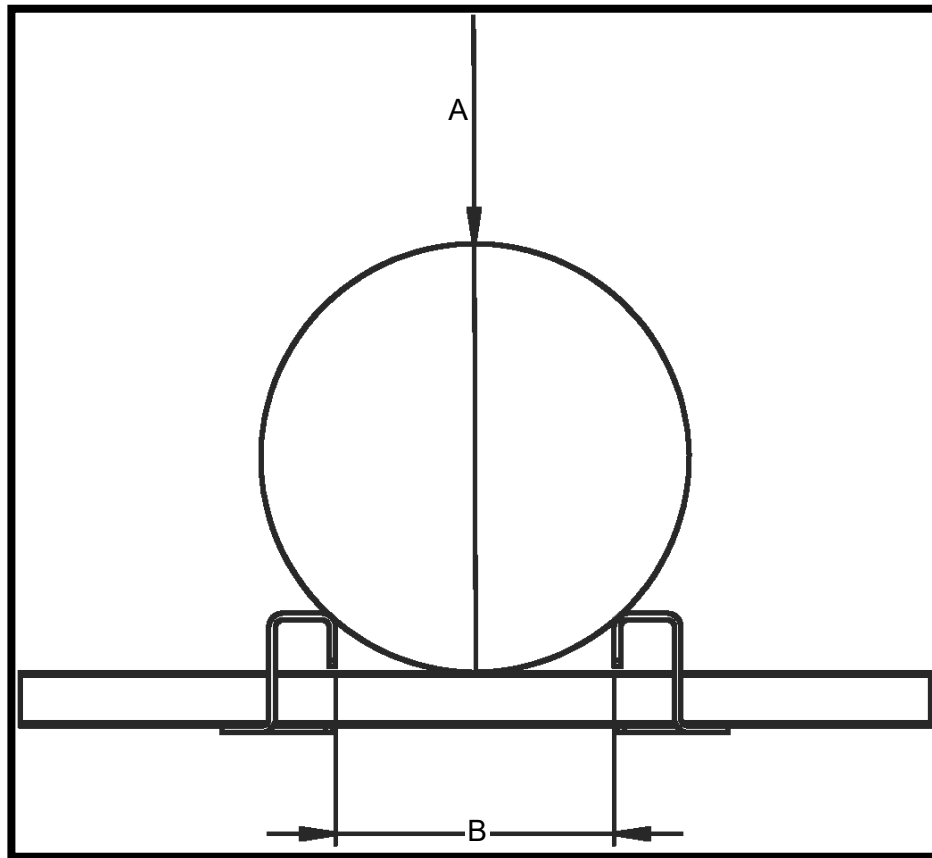
## Installation Instructions



- 1** Install strap bracket over channel and line up channel nut with bolt. Reference image above for direction of strap bracket.



# POLE MOUNTED KIT



Pole Spacing

Pole Diameter (A)	Strap Bracket Spacing (B)
4	3.36
6	4.37
8	5.20
10	5.92
12	6.58
14	7.17
16	7.72

# POLE MOUNTED KIT

## SCE-PMHK



SCE-PMHK is an optional pole mount hanger used to simplify hanging larger weight enclosures. May be used with or without straps.

