

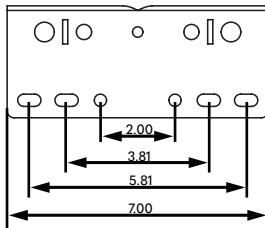
POLE MOUNT JUNCTION KITS

Pole Mount Kit

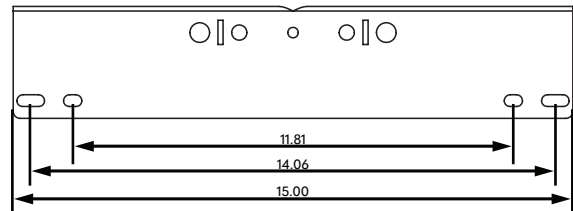
Compatible Enclosures	Pole Mount Kit			
	SCE-PMJ6T8	SCE-PMJ10T12	SCE-PMJ14T16	SCE-PMJ18T24
SCE-1008**XX				
SCE-1210**XX				
SCE-1412**XX				
SCE-1614**XX				
SCE-1816**XX				
SCE-2016**XX				
SCE-2424**XX				

** = Enclosure depth (n/a)
 XX = Enclosure type
 PC/PCW/FG/ELJ/CHNF

SCE-PMJ6T8



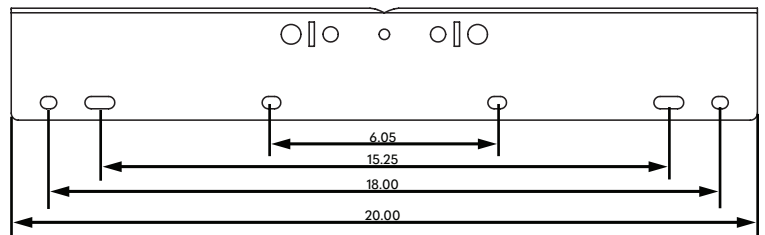
SCE-PMJ14T16



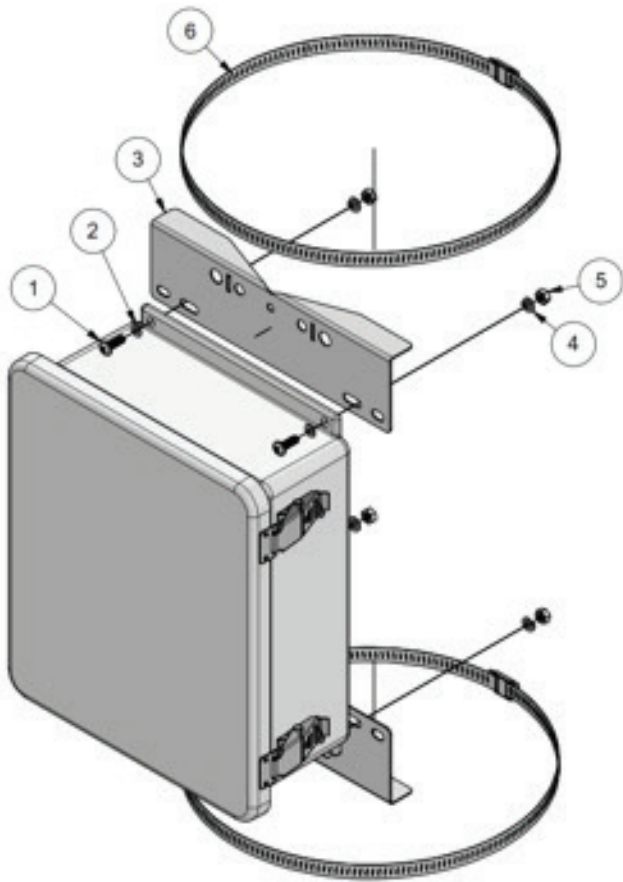
SCE-PMJ10T12



SCE-PMJ18T24



POLE MOUNT JUNCTION KITS



SCE-PM18T24		
Item	Quantity	Description
1	4	1/4"-20 x 3/4" S.S. Screw
2	4	1/4" Washer
3	2	Pole Mount Bracket
4	4	1/4" Lockwasher
5	4	1/4"-20 Nut
6	2	Worm-Drive S.S. Clamp
7	1	Installation Instructions

SCE-PMJ6T8, SCE-PMJ10T12, SCE-PMJ14-16		
Item	Quantity	Description
1	4	#10-32 x 3/8" S.S. Screw
2	4	1/4" Washer
3	2	Pole Mount Bracket
4	4	1/4" Lockwasher
5	4	#10-32 Nut
6	2	Worm-Drive S.S. Clamp
7	1	Installation Instructions

Installation:

- 1) Secure brackets (2) to the back of the enclosure.
- 2) Insert worm-drive s.s. clamps (2) through slot cutouts on the brackets.
- 3) Position enclosure on pole and tighten worm-drive s.s. clamps around pole to secure. Use flathead to secure. Clip excess strap material to complete the installation.

