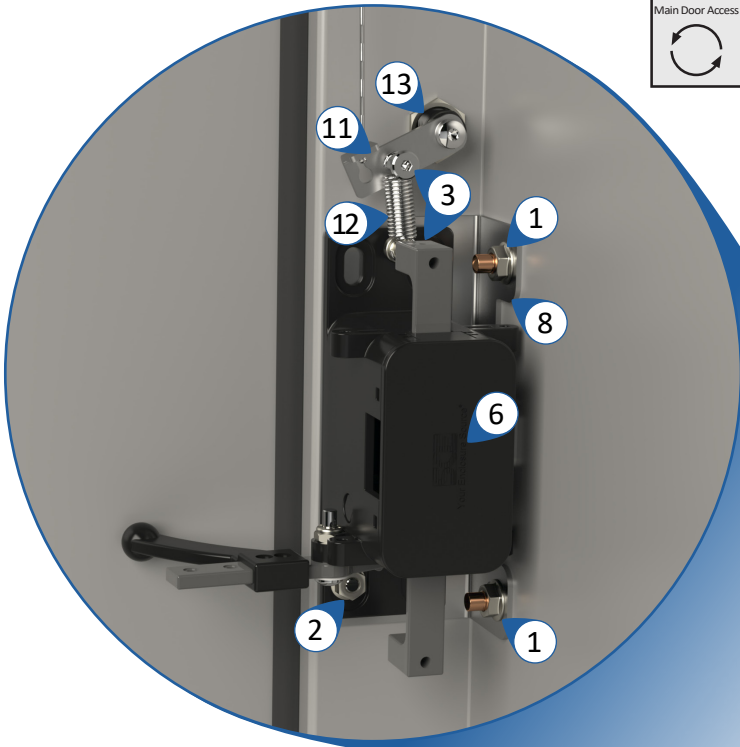
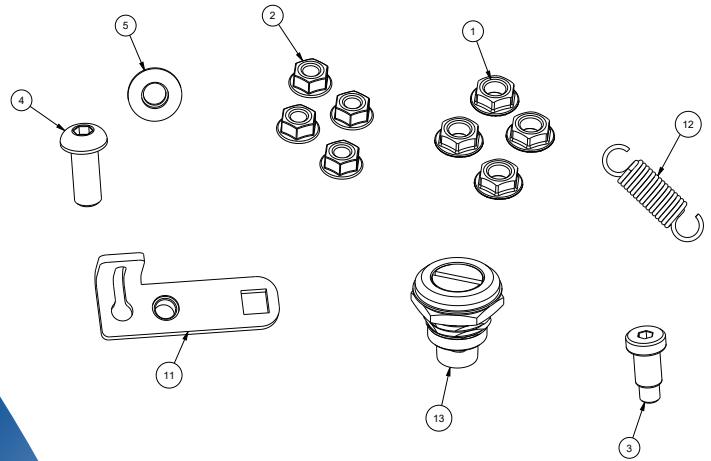
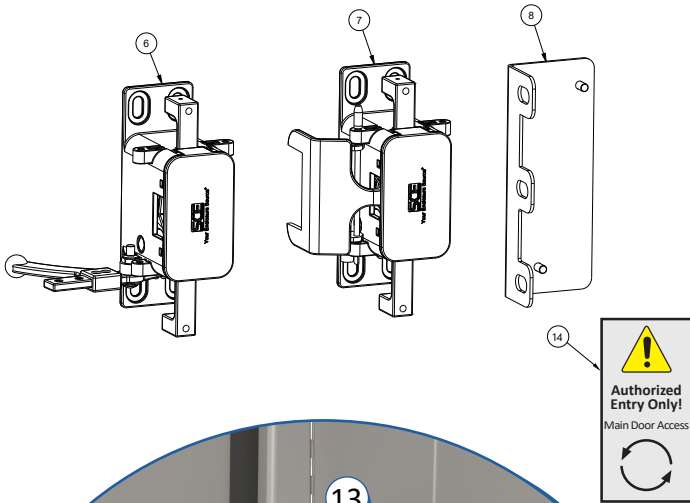


NEXTGEN MECHANICAL INTERLOCK KIT INSTALLATION

Mechanical Interlock SCE-NEXDMLK Interlock Kit 30 to 600 Amp (NEXD & NEXR) Provides secondary mechanical interlock with main enclosure door. Requires tool to access at all times unless disconnect door is open.

Bill of Materials

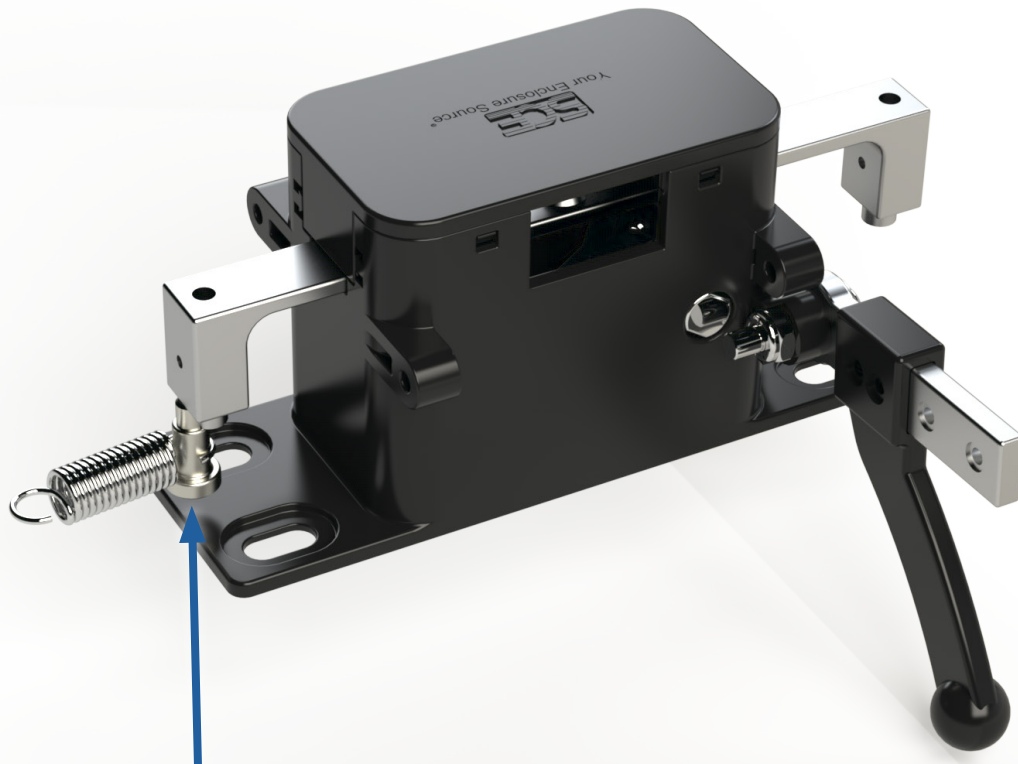
Item	Qty	Part Description
1	4	0.25-20 - Flange Nut
2	4	10-32 - Flange Nut
3	2	Shoulder Screw - Socket Head
4	1	0.25-20 X 0.63 - Socket Cap Screw
5	1	10-32 - 0.180 X 0.496 - Sealing Washer
6	1	Main Door Mechanical Interlock, Right Side Push
7	1	Slave Door Mechanical Interlock, Left Side Grab
8	2	Mounting Bracket - NextGen Interlock
9	1	Bolt Pack - Overhead Mechanical Interlock - Cable Operated
11	1	Single point Cam - NEXD Cam
12	1	Extension Spring - w/ Hook Ends
13	1	Mini Quarter Turn Slotted
14	1	Warning Sticker



1. Install NEXD to main enclosure. (For installation and mounting hole pattern see [next-install.pdf](#))



1. Pre-assemble spring (item 12) to interlock (item 6) with shoulder screw (item 3).



2. Install mini quarter turn (item 13) in flange and tighten the nut.
3. Attach NEXD cam (item 11) to mini quarter turn (item 13)

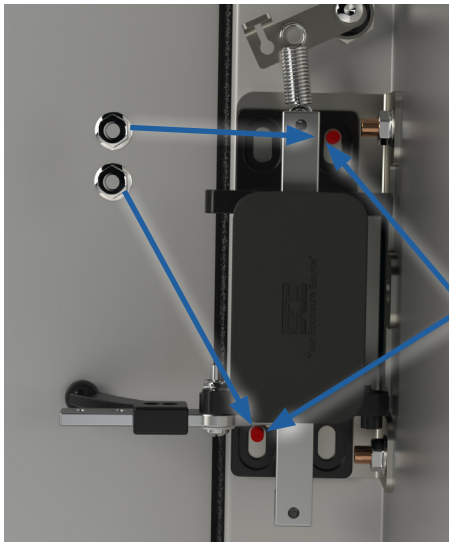


4. Install the two mounting brackets (item 8). One to the interior side wall of the external disconnect and one of the main enclosure using 1/4-20 flange nuts (item 1) (Two each).

Note: Main enclosures without NEXD provisions requires one flange nut in the center of the mounting bracket. SCE-DCP/SS disconnect cover plate required to close of disconnect cutout on main enclosure.



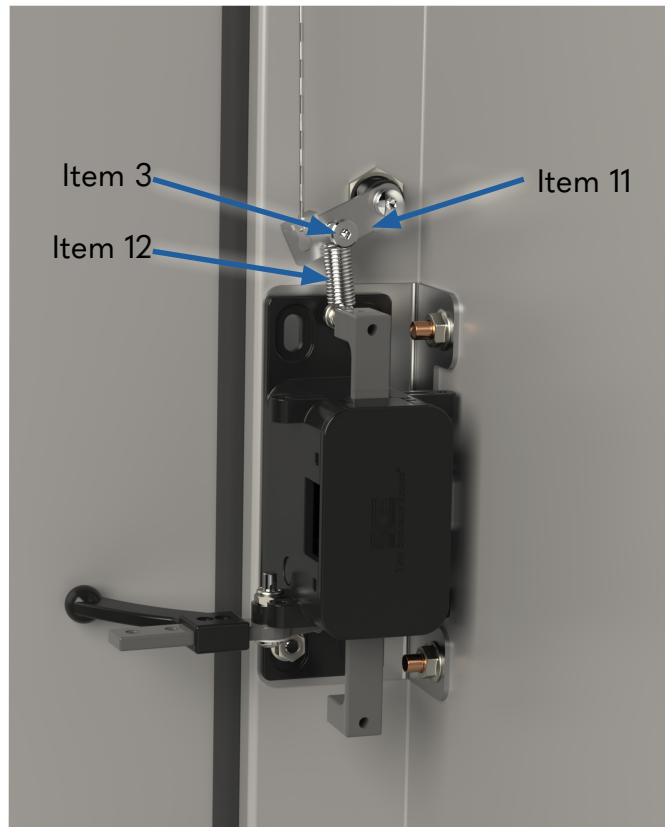
5. Install primary interlock (item 6) into NEXD enclosure and secondary door interlock (item 7) in main enclosure with 10-32 flange nut (item 2) to mounting bracket. Hold interlock at highest point on the studs and tighten place.



*Notice pem locations (pems colored red for easier clarity)



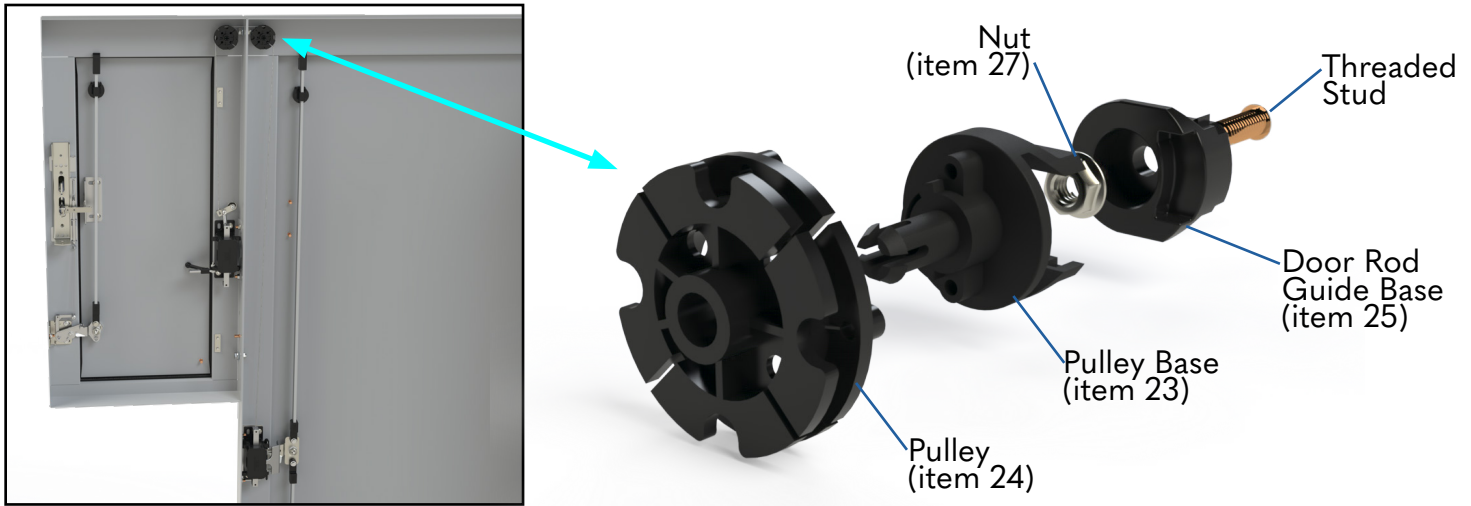
6. Attach spring (item 12) using shoulder screw (item 3) to NEXD cam (item 11)



(9) Bolt Pack - Overhead Mechanical Interlock

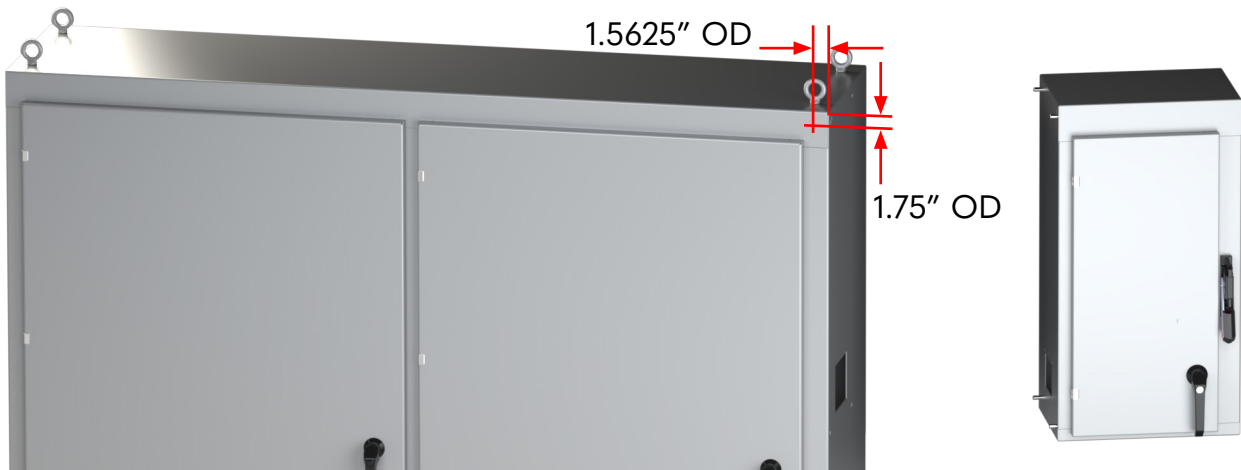
Item	Qty	Part Description
21	2	Phillips Blunt Screw - 8 X 0.38
22	1	Cable assembly
23	2	Mechanical Interlock - Cable Pulley Base
24	2	Mechanical Interlock - Cable Pulley
25	2	Door Rod Guide Base
26	2	Phillips Machine Screw - 10-32 X 0.50
27	2	Flange Nut - Serrated - 0.25-20

7. Install pulley above each interlock
- Put Door Rod Guide Base (item 25) on Threaded Stud, flat part should be horizontal.
 - Install and tighten Nut (item 27).
 - Slide Pulley Base (item 23) onto Door Rod Guide Base (item 25).
 - Push Pulley (item 24) onto Pulley Base (item 23) and snap into place.
 - Turn Pulley (item 24) counterclockwise until hitting the set point. (The pulley will not turn past this point.)

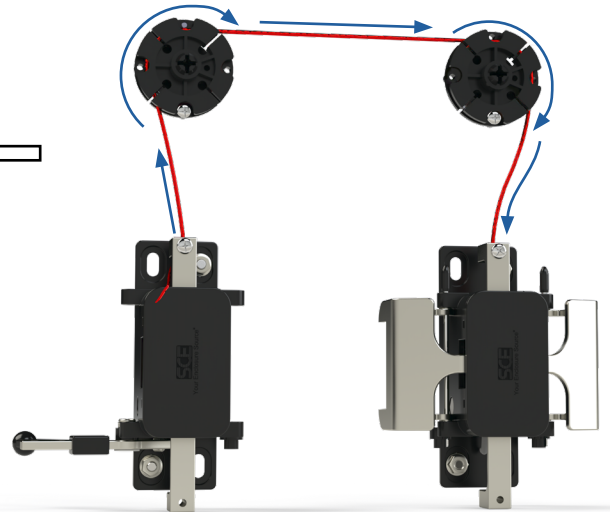
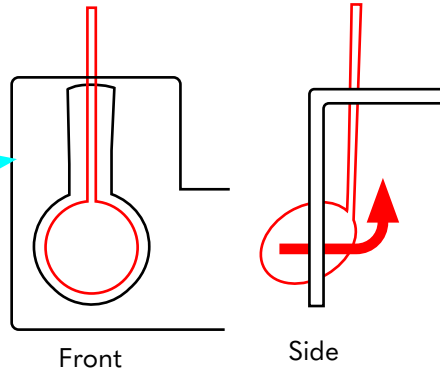


Note: For main enclosures without NEXD provisions

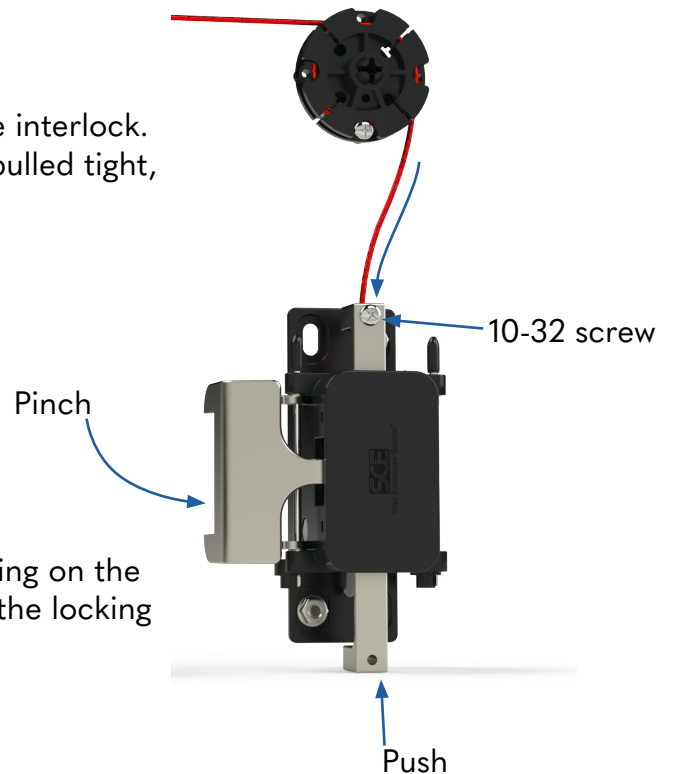
- Drill a 0.25" mounting hole into the top flange of the main enclosure (see image below for location) for installation of door rod guide base (item 25). Install using 1/4-20 button head screw (item 4) and sealing washer (item 5).



8. Insert cable ball (item 22) into the hole in the cam (item 11). Then feed cable up and wrap it once completely around the pulley. Followed by bringing the cable through the enclosures around the next pulley and then down to interlock in the enclosure. Close the EXD door.



9. Feed cable (item 22) through the hole in the interlock. Engage the interlock*, make sure the cable is pulled tight, then insert and tighten 10-32 screw (item 26).



*You can engage this interlock by pushing on the bottom part of the rod or by pinching the locking mechanism closed.

10. Adjust to increase tension by loosening the 10-32 nuts on interlock and push down as needed. Then re-tighten nuts. This will allow for the locking arm to move in farther.



11. Finally; place sticker, close doors, and verify functionality.

