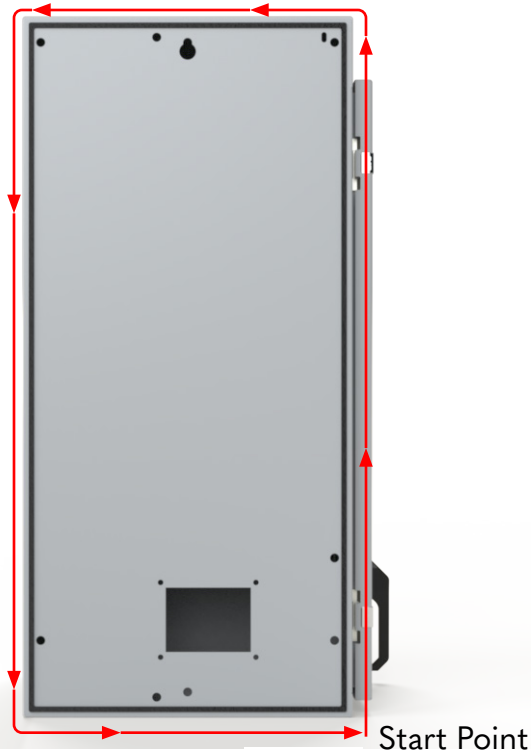
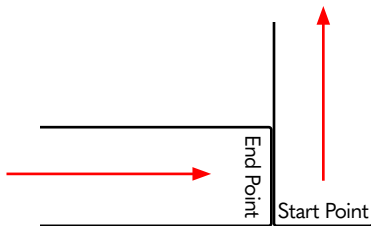
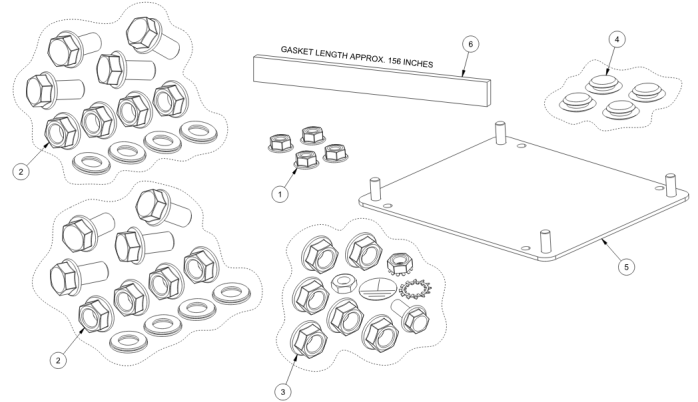


# NEXD INSTALLATION



132942 BOM		
Item	Qty	Part Description
1	4	10-32 Flange Nut
2	2	0.38-16 X 0.75 Mtg Hardware
3	1	Sub-Panel and Grounding Hardware
4	1	Hole Plug - Kit
5	1	EXD and EXR Cover plate
6	1	Strip Gasket

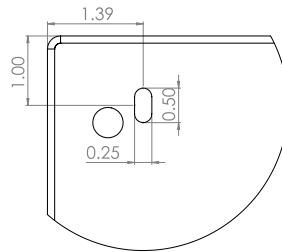


## Gasket Installation:

Starting at the bottom of the external disconnect, install the gasket (item 6) around the side of the enclosure between the edge and the holes. Edge the end of the gasket up to the start point to ensure no water can travel through.

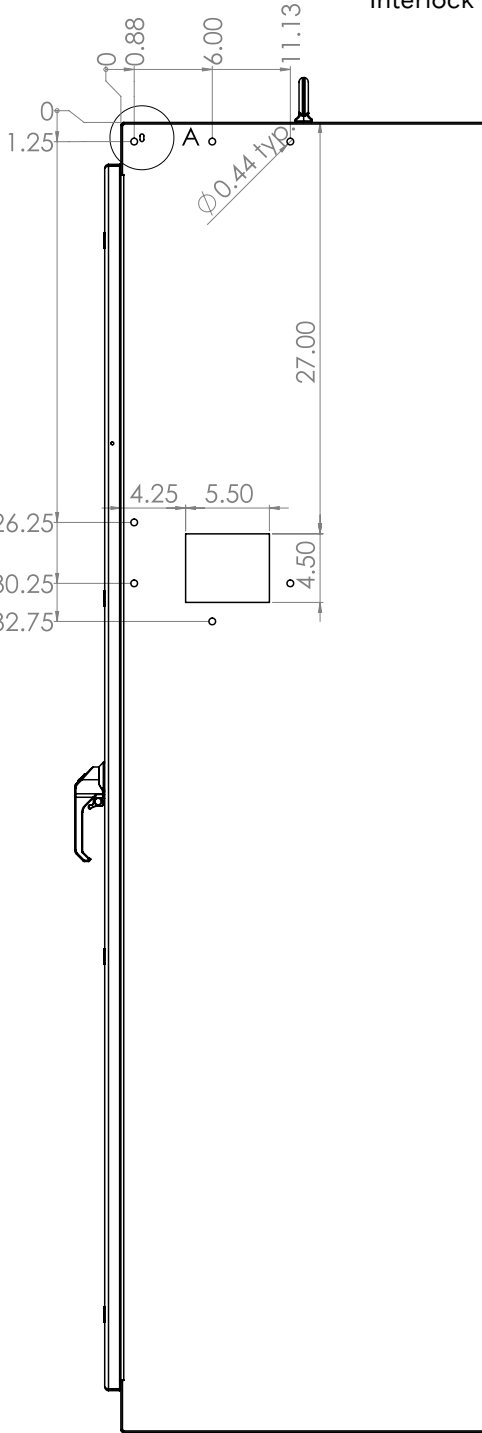


Using the provided bolt pack (item 2) use the mounting hardware to mount the external disconnect.



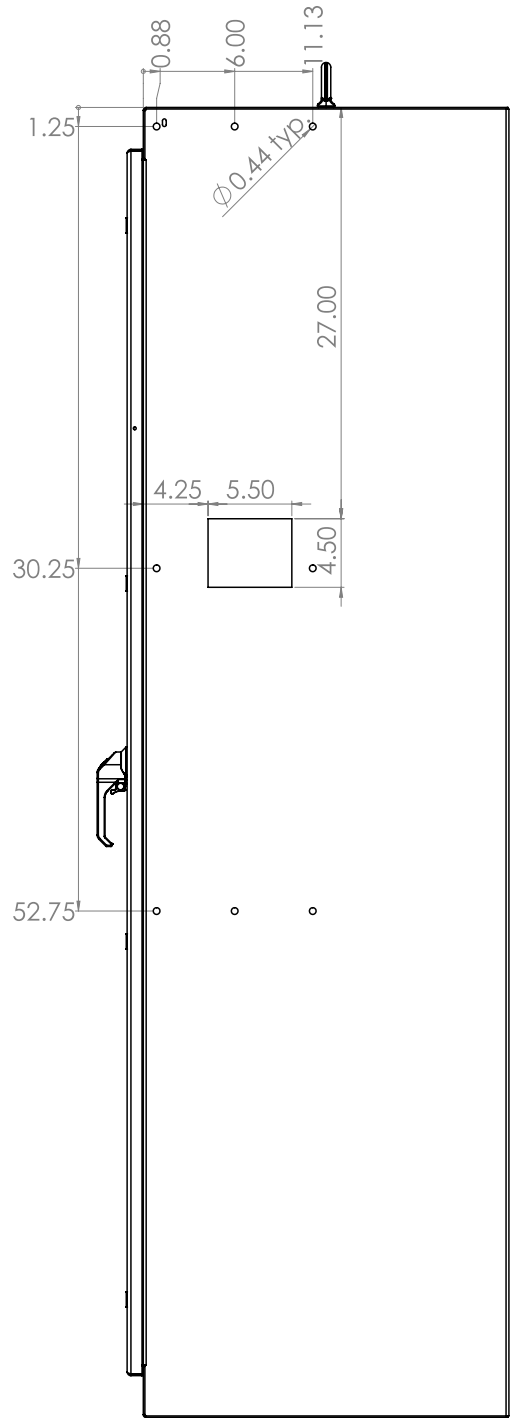
DETAIL A  
SCALE 8:1

Provisions when Mechanical Interlock SCE-NEXDMLK is needed

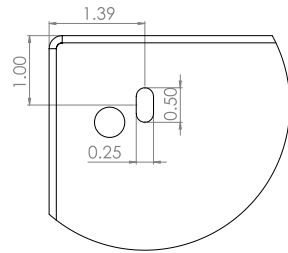
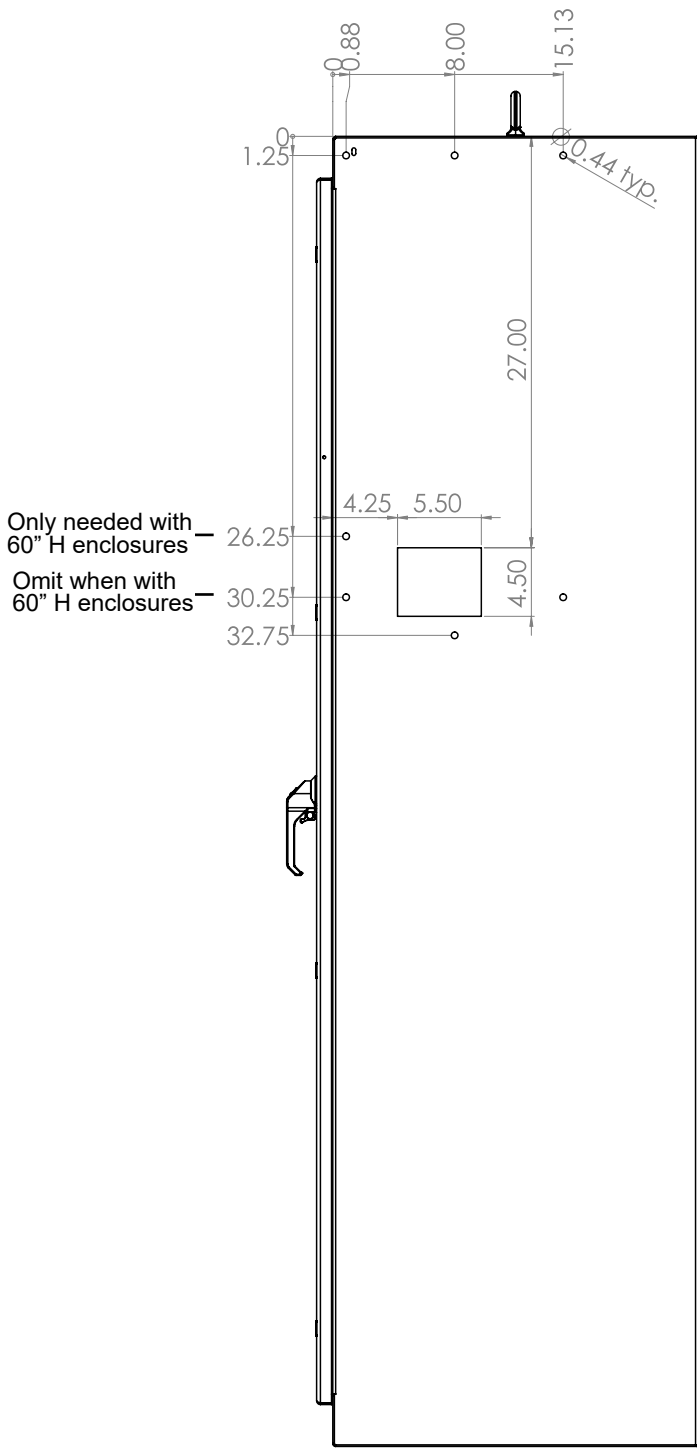


Only needed with 60" H enclosures — 26.25  
Omit when with 60" H enclosures — 30.25

**SCE-NEXD12/SS**  
12" Minimum Enclosure Depth



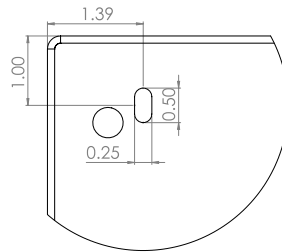
**SCE-NEXD12A6/SS**  
12" Minimum Enclosure Depth



DETAIL A  
SCALE 8:6

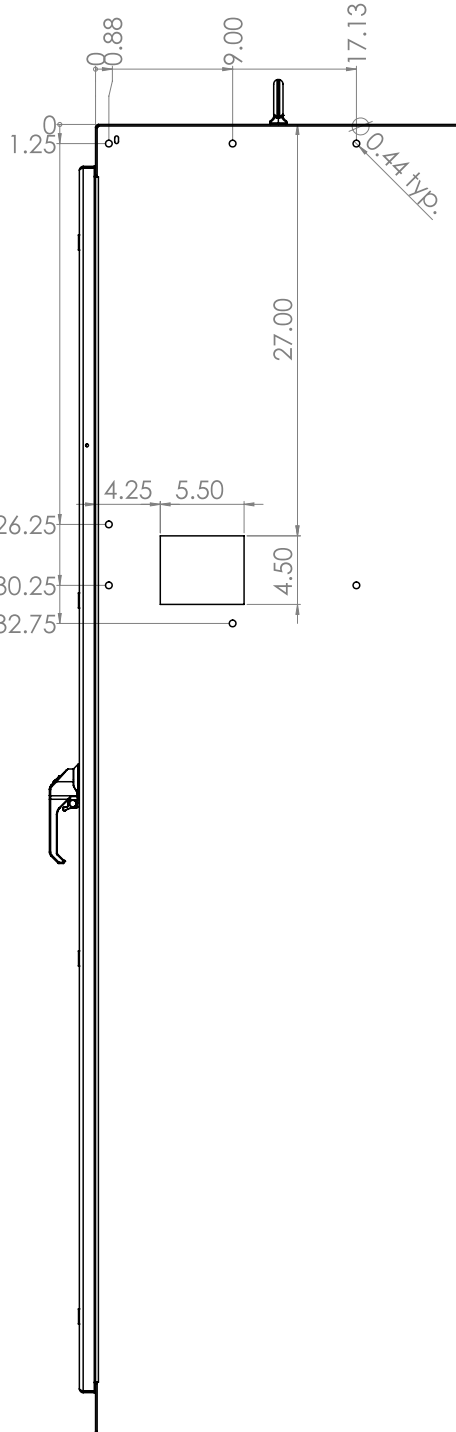
Provisions when Mechanical Interlock SCE-NEXDMLK is needed

**SCE-NEXD16/SS**  
16" Minimum Enclosure Depth



DETAIL A  
SCALE 8:6

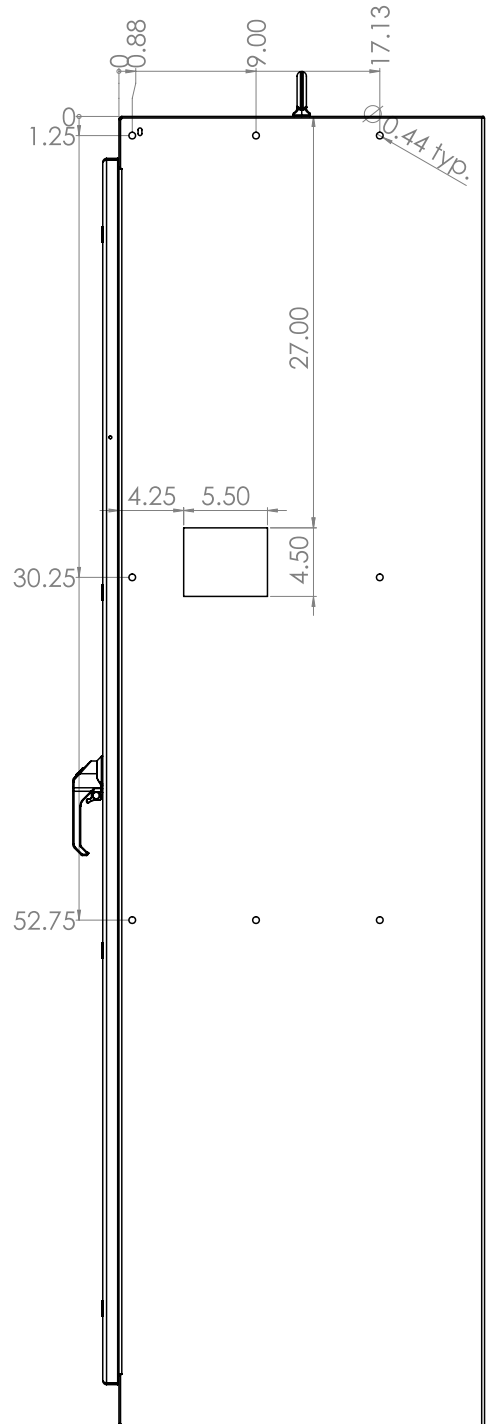
Provisions when Mechanical Interlock SCE-NEXDMLK is needed



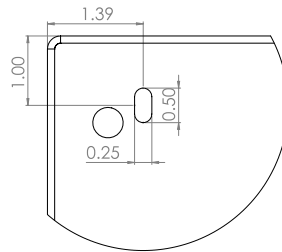
Only needed with 60" H enclosures

Omit when with 60" H enclosures

**SCE-NEXD18/SS**  
18" Minimum Enclosure Depth

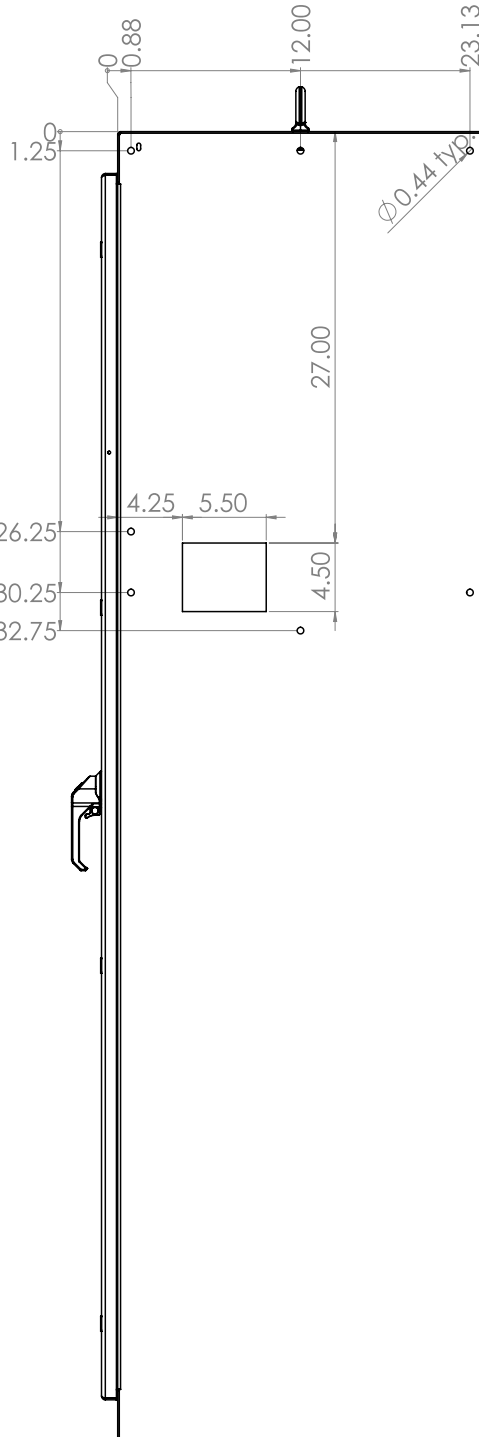


**SCE-NEXD18A6/SS**  
18" Minimum Enclosure Depth



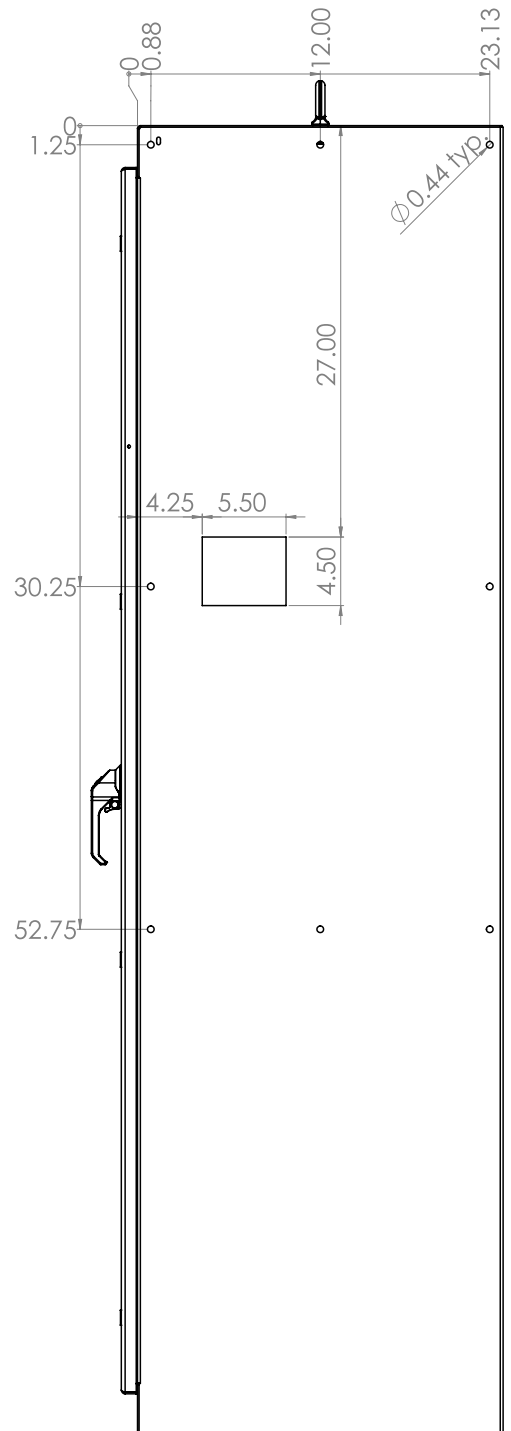
DETAIL A  
SCALE 8:6

Provisions when Mechanical Interlock SCE-NEXDMLK is needed



Only needed with 60" H enclosures — 26.25  
Omit when with 60" H enclosures — 30.25  
32.75

**SCE-NEXD24/SS**  
24" Minimum Enclosure Depth



**SCE-NEXD24A6/SS**  
24" Minimum Enclosure Depth