

SCE-LSA, SCE-LSMB, INSTALL MANUAL

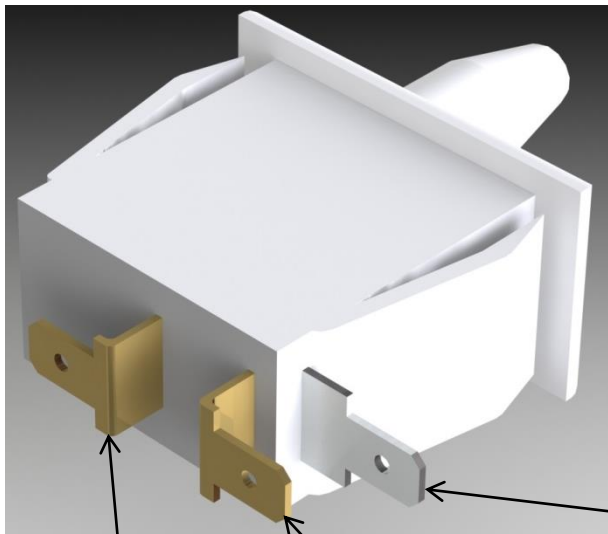


SCE-LSA
COMPLETE LIGHT SWITCH ASSEMBLY



SCE-LSMB
LIGHT SWITCH MOUNTING BRACKET

100-277 VAC & 24 VDC
10 AMP MAX
ALL MOUNTING HARDWARE
SUPPLIED WITH LIGHT FIXTURE.



CONTACT OPEN
USED WITH THERMAL
MANAGEMENT
POWER OFF WHEN
DOOR IS OPEN

CONTACT CLOSED
USED WITH LIGHTING
POWER ON WITH
DOOR OPEN

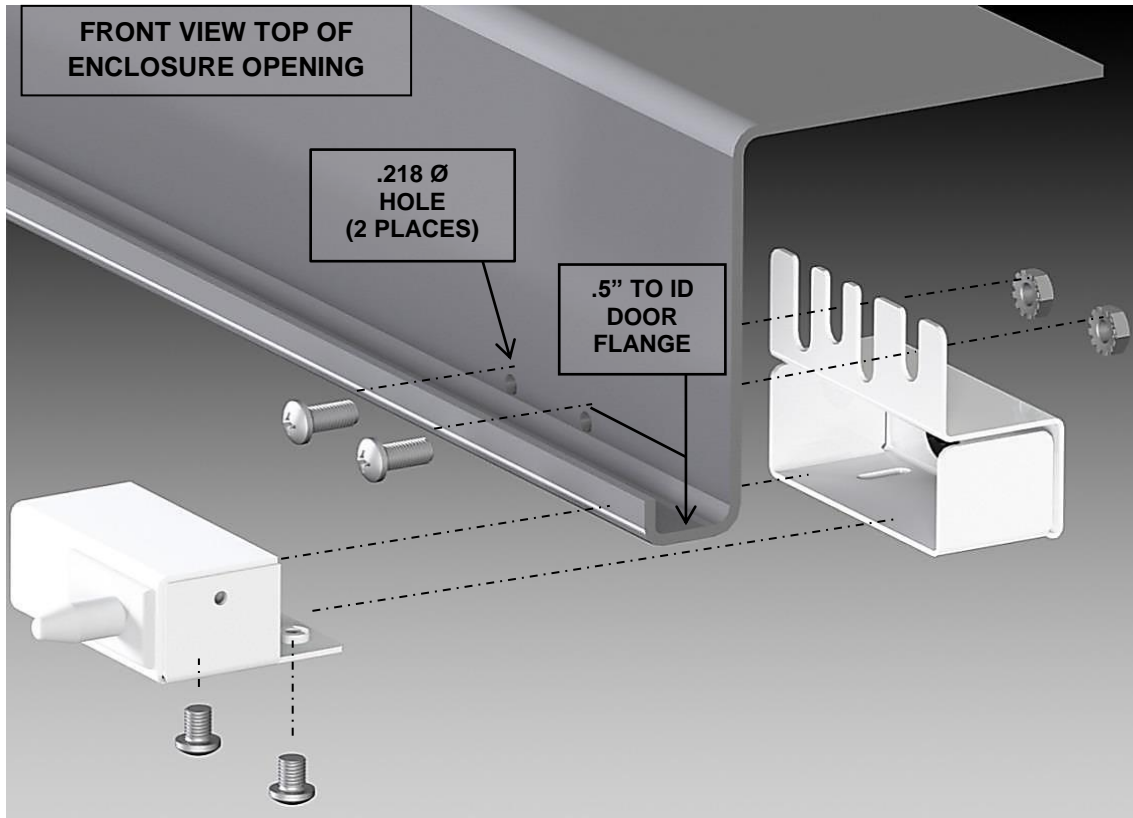
POWER
INPUT

(.99") LARGE
CONCEALED
HINGE SPACE

(1.18") SMALL
CONCEALED
HINGE SPACE

Ø .281
TYP.

SCE-LSA, SCE-LSMB, INSTALL MANUAL



[CLICK HERE FOR INSTALL VIDEO](#)



FRONT VIEW HINGE SIDE OF ENCLOSURE OPENING