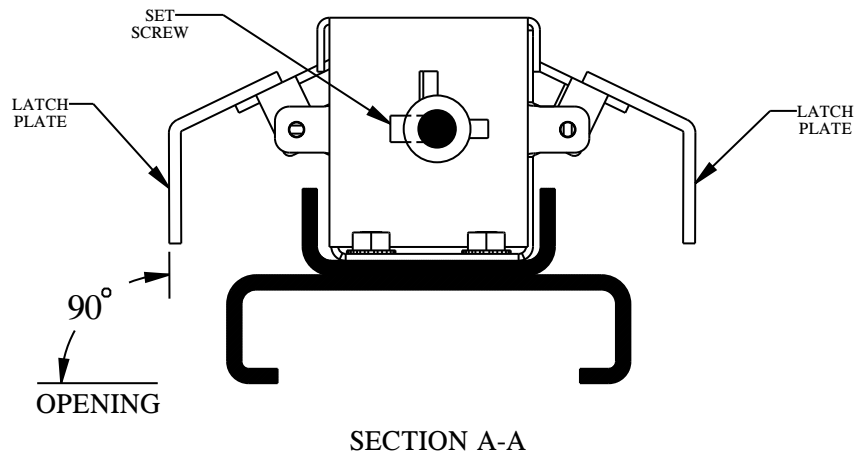
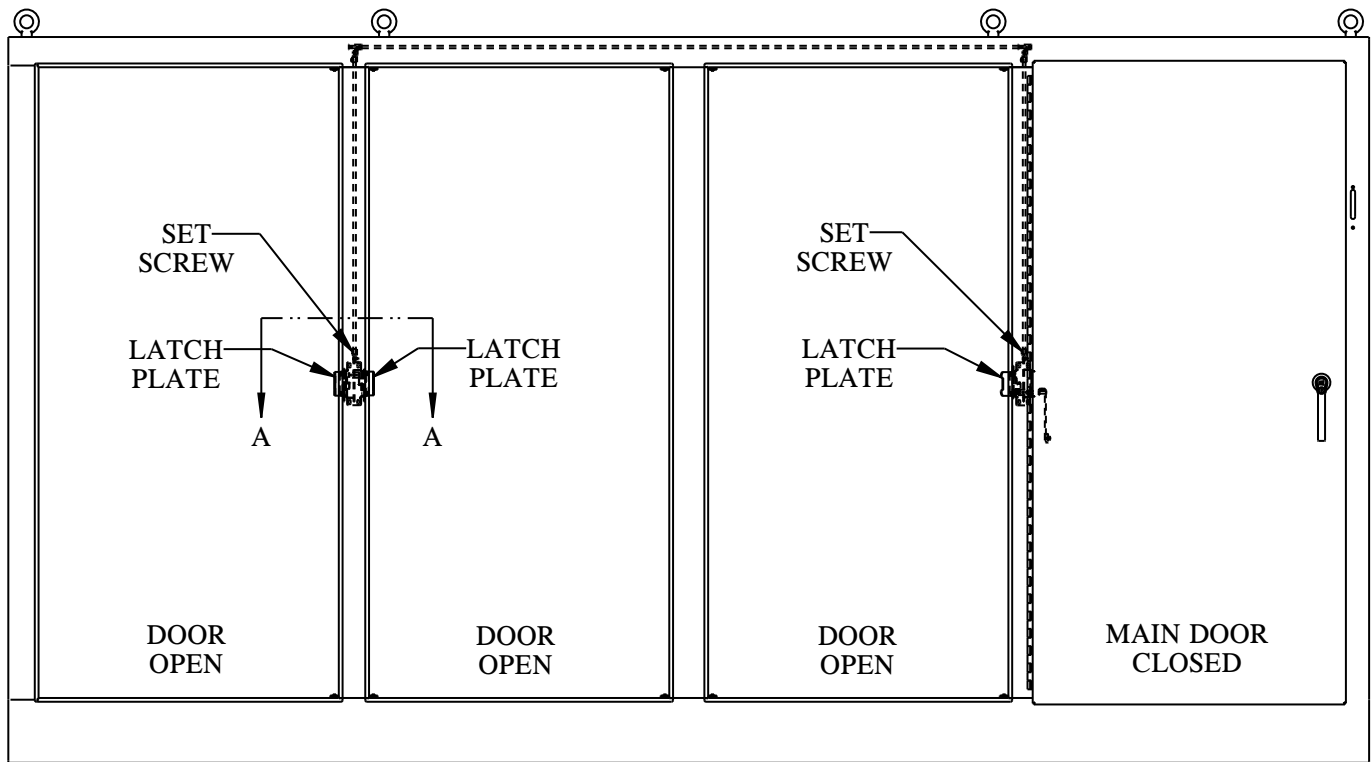


MECHANICAL INTERLOCK ADJUSTMENT



INSTALLATION INSTRUCTIONS:

1. CLOSE THE MAIN DOOR WHILE LEAVING ALL REMAINING DOORS OPEN.
2. STARTING AT THE DOOR FARTHEST FROM THE MAIN DOOR, LOOSEN THE SET SCREW IN THE ROD ADAPTER NEAREST THE INTERLOCK ON THE CENTER POST.
3. ADJUST THE INTERLOCK UP OR DOWN UNTIL THE INTERLOCK LATCH PLATE IS APPROXIMATELY 90 DEGREES TO THE DOOR OPENING AND TIGHTEN THE SET SCREW.
4. REPEAT THE PROCESS AT EACH OF THE INTERLOCK DEVICES WORKING YOUR WAY TOWARDS THE MAIN DOOR.
5. VERIFY THAT THE INTERLOCK IS FUNCTIONING PROPERLY BY CLOSING ALL DOORS AND CHECKING THAT ALL ARE LOCKED.
6. OPEN THE MAIN DOOR AND ALL REMAINING DOORS ARE FREE TO OPEN.