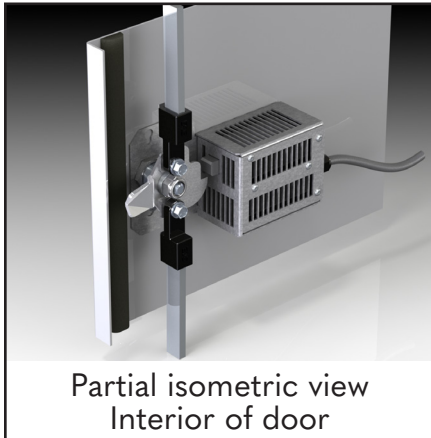


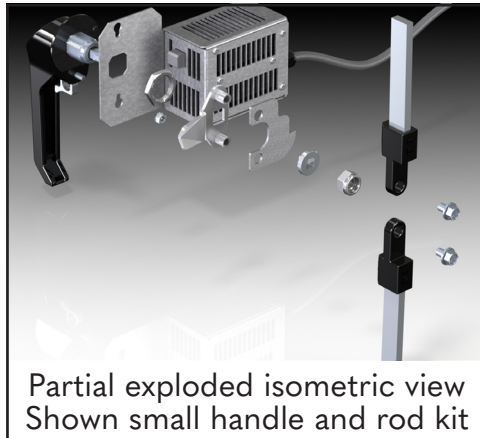
ELECTRICAL INTERLOCK

SCE-E115I & SCE-E24I

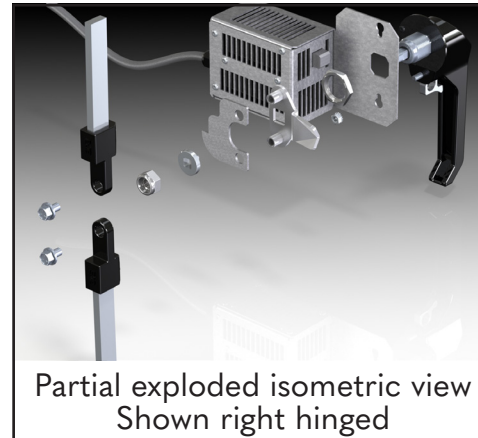
shown with small cam # 128142



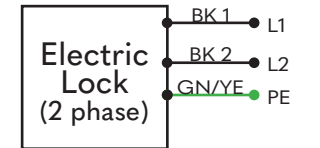
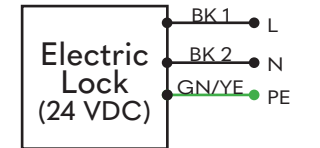
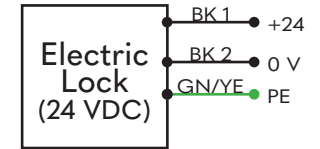
Partial isometric view
Interior of door



Partial exploded isometric view
Shown small handle and rod kit



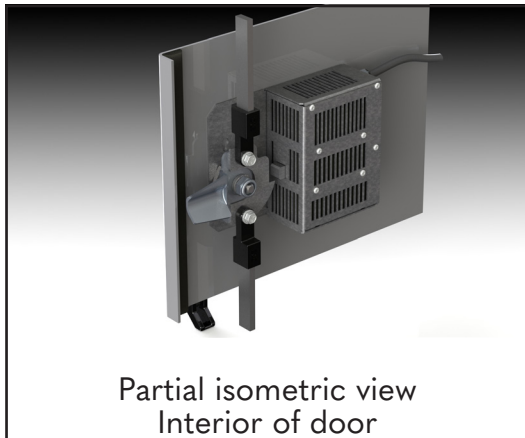
Partial exploded isometric view
Shown right hinged



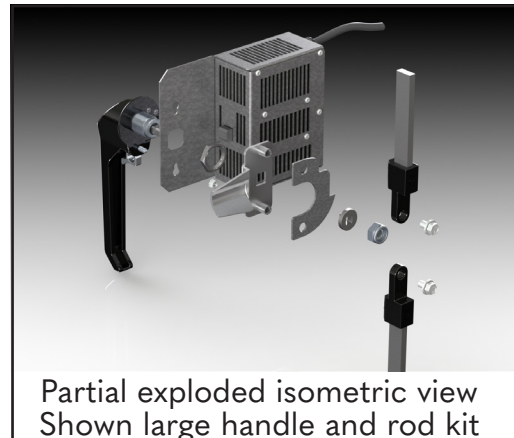
Wire Size
18 AWG

SCE-E460I

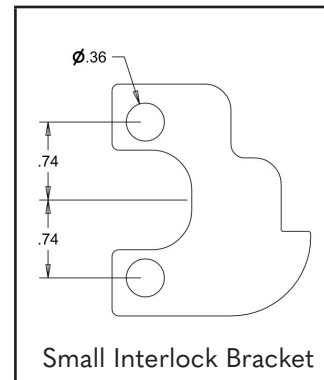
shown with small cam # 102237



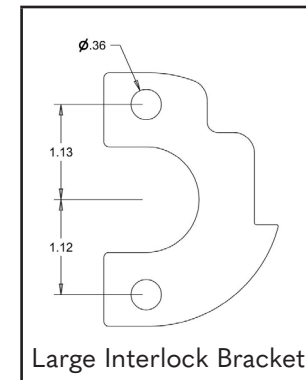
Partial isometric view
Interior of door



Partial exploded isometric view
Shown large handle and rod kit



Small Interlock Bracket



Large Interlock Bracket

SCE-E115I	128388	Electrical Interlock 115 VAC to 230 VAC	85V 264V 50/60Hz AC	0.2 A @ 115V 0.1 A @ 240V
SCE-E460I	128389	Electrical Interlock 460 VAC	400V 480V 50/60Hz AC	0.06 A @ 400V 0.05 A @ 480V
SCE-E24I	128390	Electrical Interlock 24 VDC	24 VDC	0.6 A