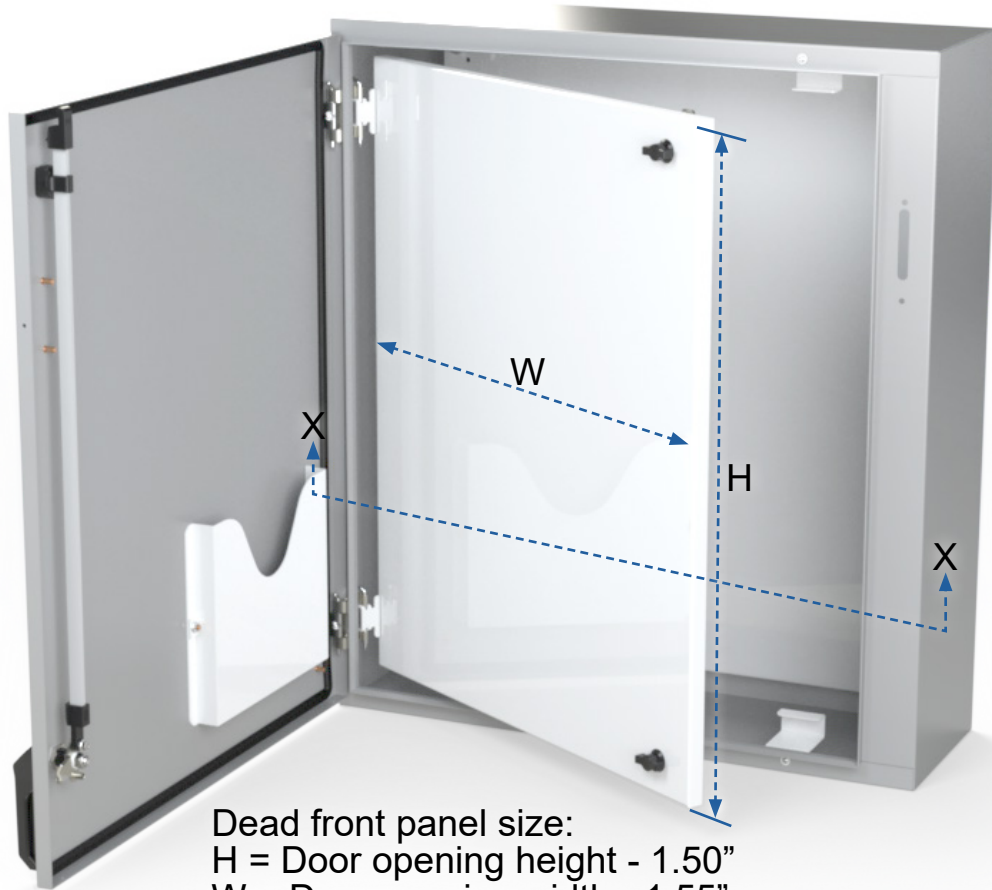
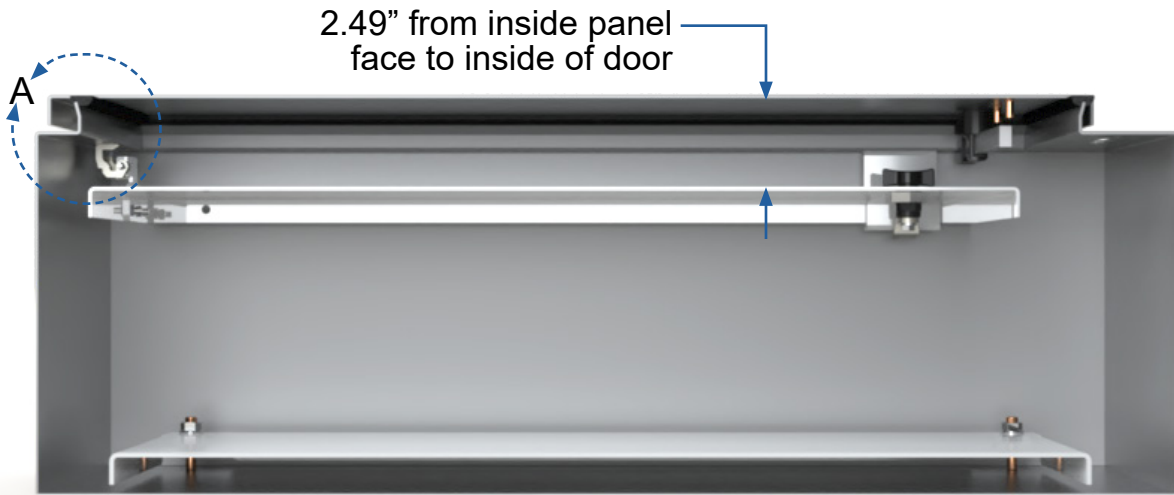


XEL-LP & SA-LPPL DEADFRONT

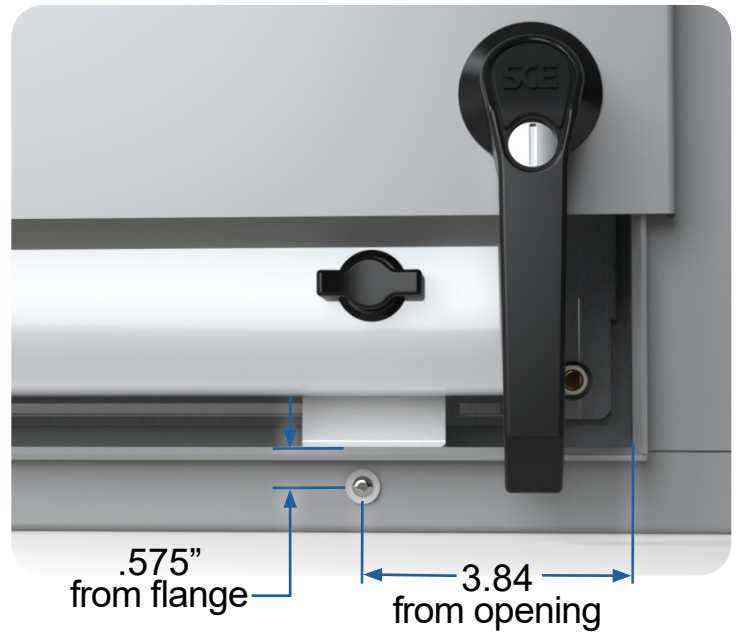


Dead front panel size:
H = Door opening height - 1.50"
W = Door opening width - 1.55"

Bolt pack:
113346 for 2 hinge dead fronts
113347 for 3 hinge dead fronts
113348 for 4 hinge dead fronts

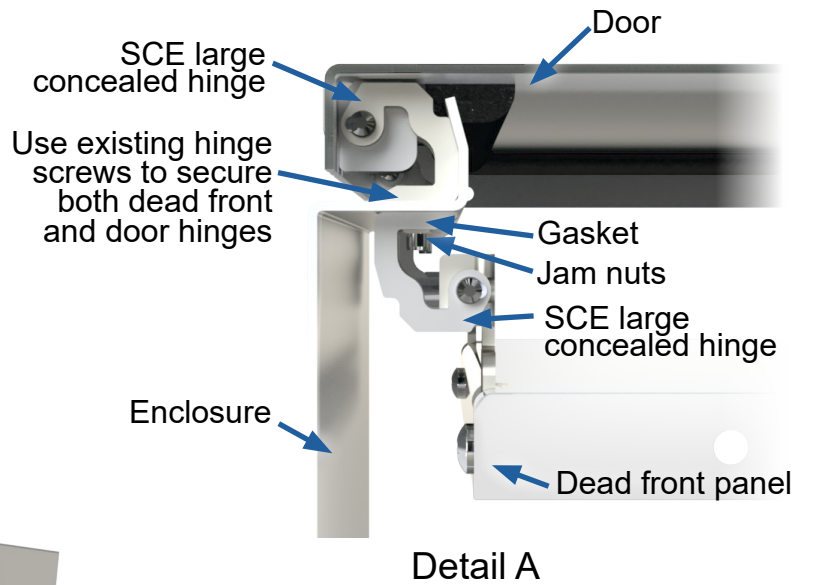


Bottom view section X-X
View shown with doors and dead front panels closed

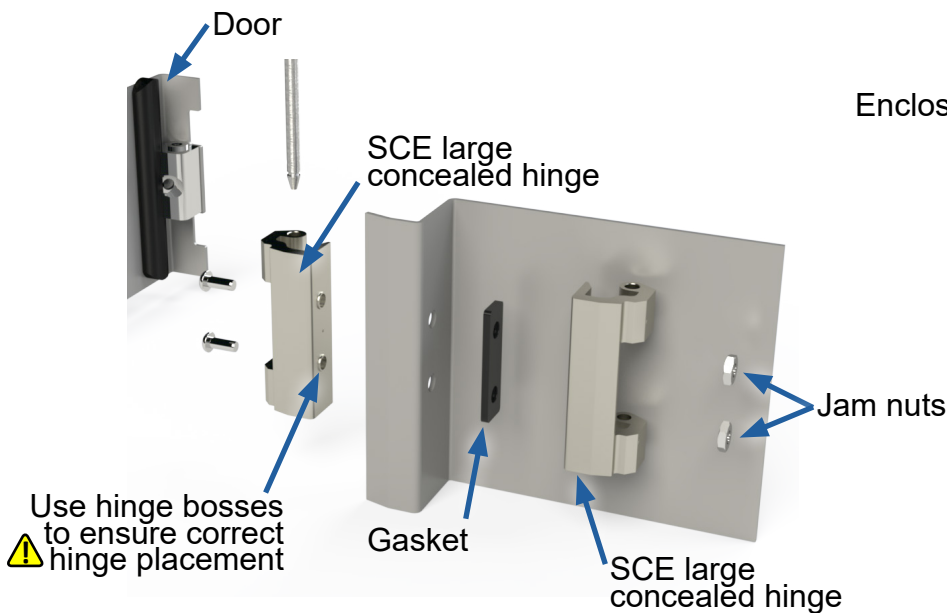


Drill $\text{\O} .218$ " hole for 10-32
button head torx screw.
18-24 ft-lbs of torque

Catch bracket



Detail A



Deadfront Hinge Detail