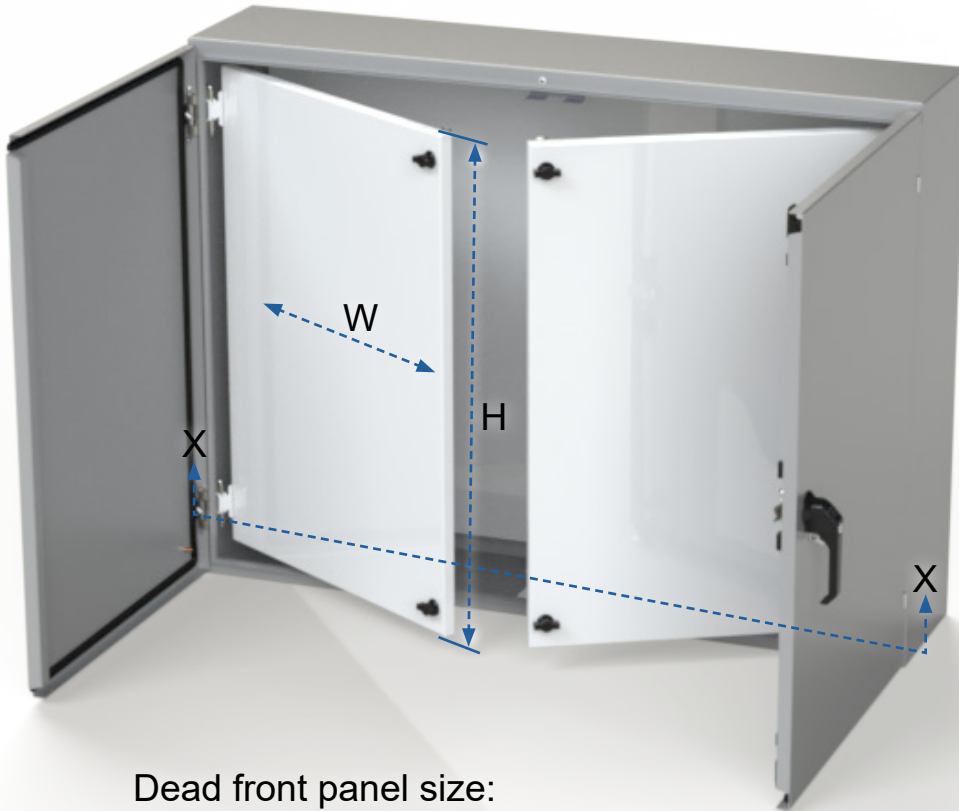
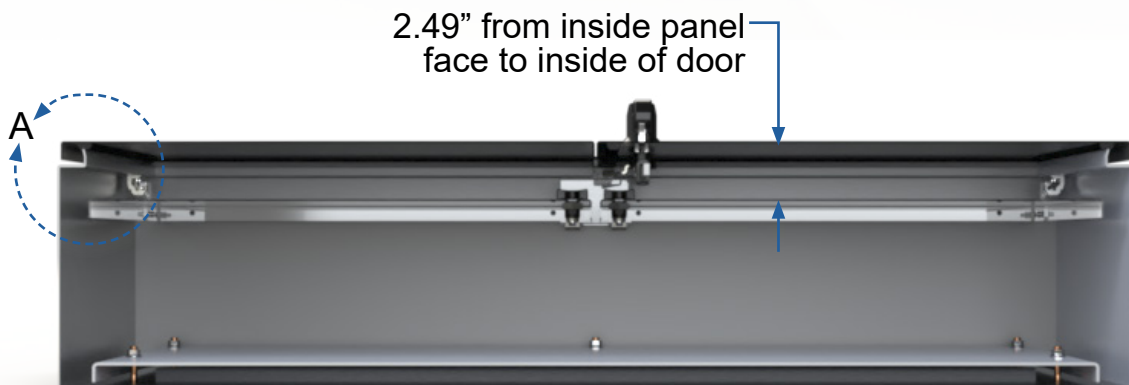


# WFLP DEADFRONT



Dead front panel size:  
H = Door opening height - 1.50"  
W = Door opening width / 2 - 0.202"

Bolt pack:  
#132241 for 2 hinge dead fronts  
#132242 for 3 hinge dead fronts



Bottom view section X-X  
View shown with doors and dead front panels closed

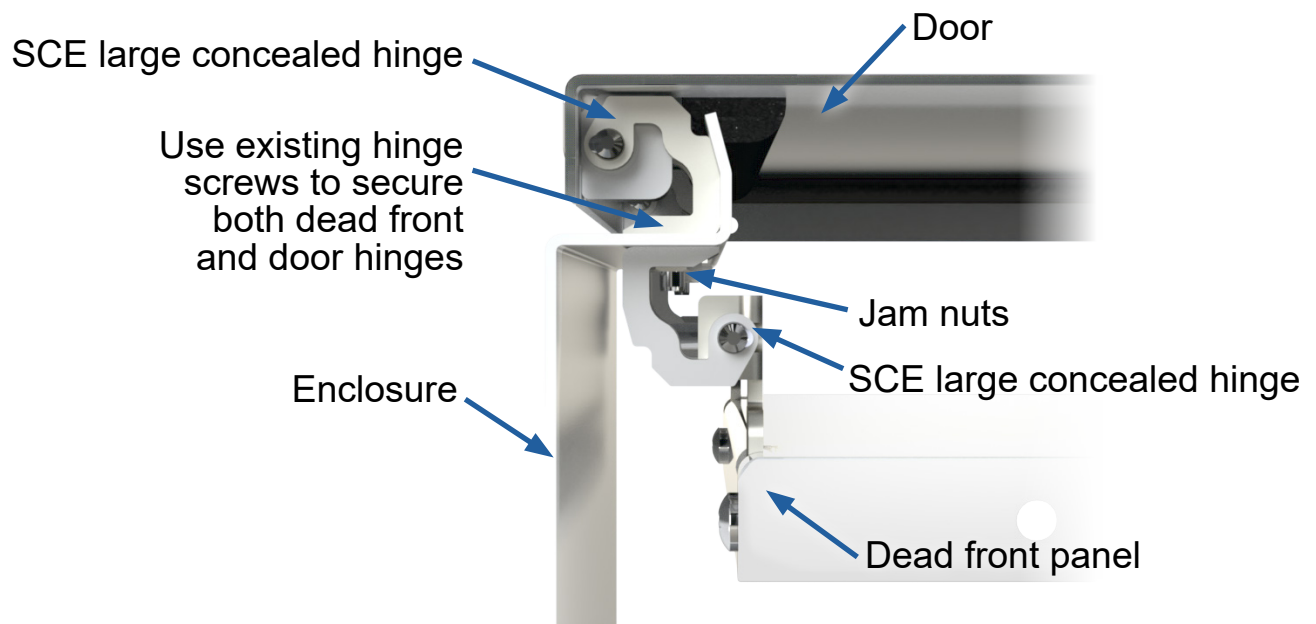


Catch bracket

⌀

.575"  
from flange

Drill Ø.218" hole for 10-32  
button head torx screw.  
18-24 ft-lbs of torque



Detail A