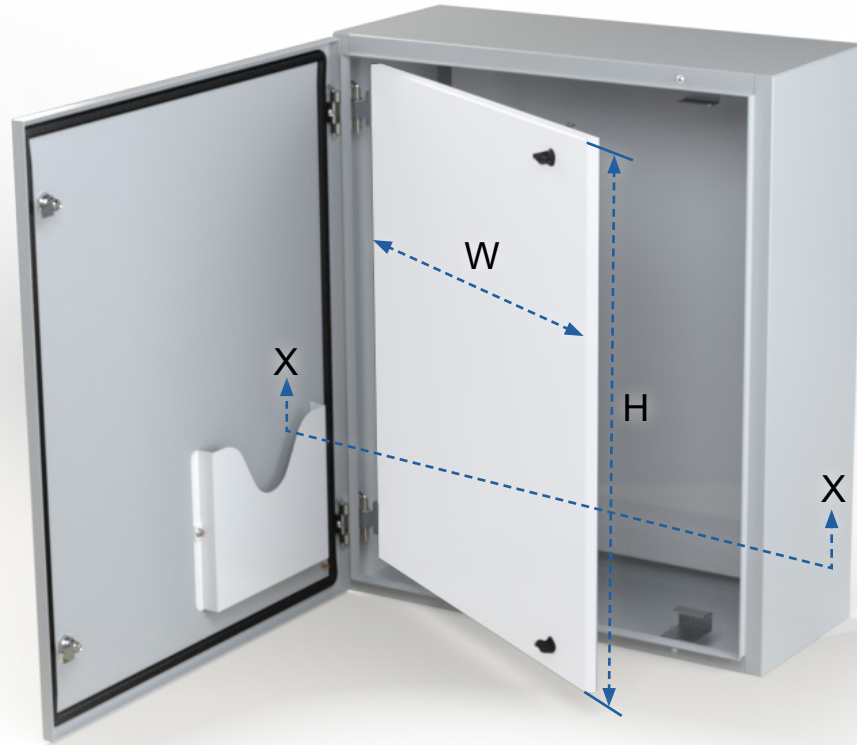


# EL LP DEADFRONT



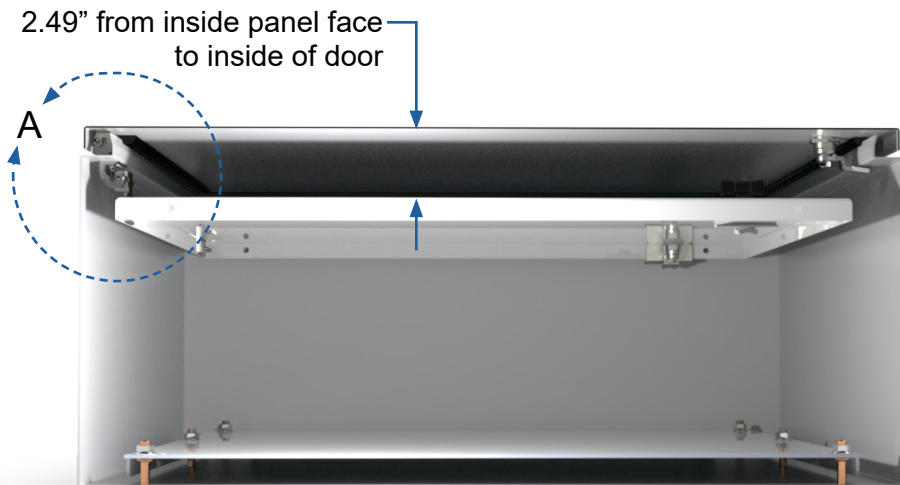
## Enclosures height = 12" - 16"

Dead front panel size:  
H = Door opening height - 1.00"  
W = Door opening width - 0.797"

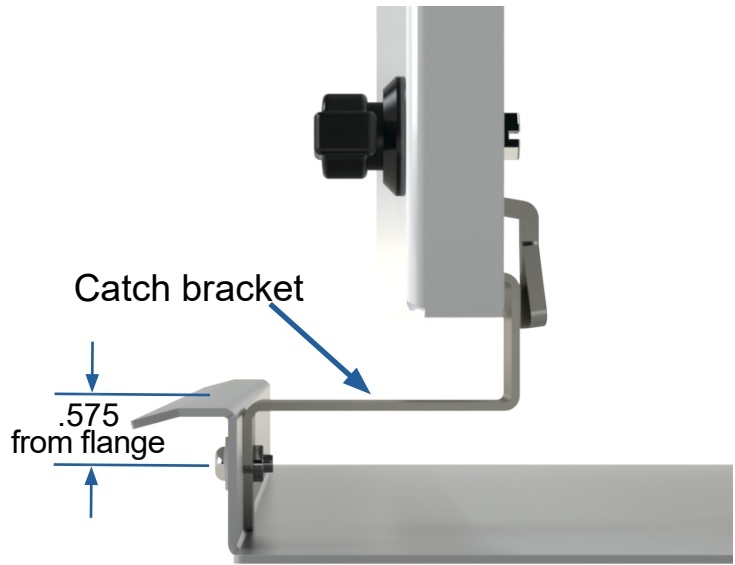
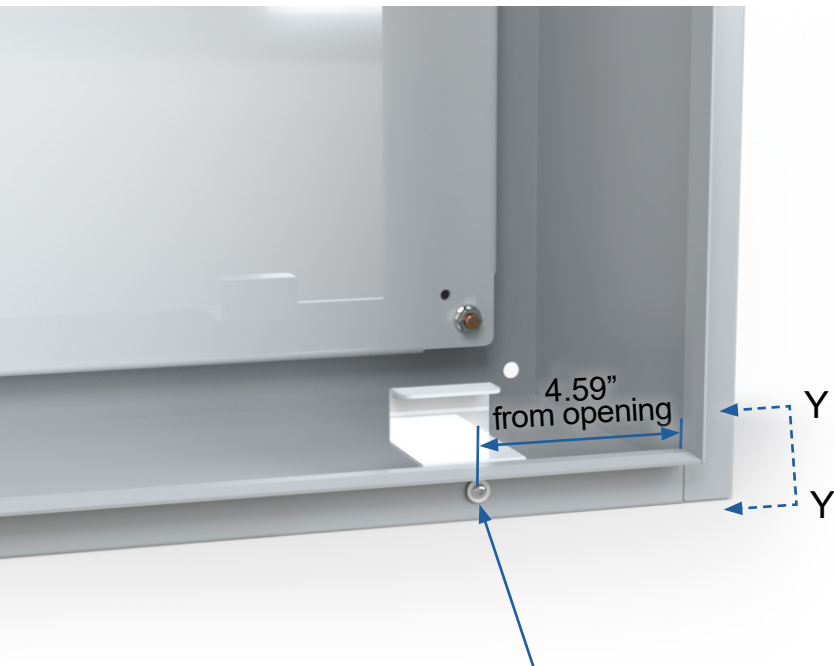
## Enclosures height > 16"

Dead front panel size:  
H = Door opening height - 1.50"  
W = Door opening width - 0.797"

Bolt pack:  
113346 for 2 hinge dead fronts  
113347 for 3 hinge dead fronts  
113348 for 4 hinge dead fronts

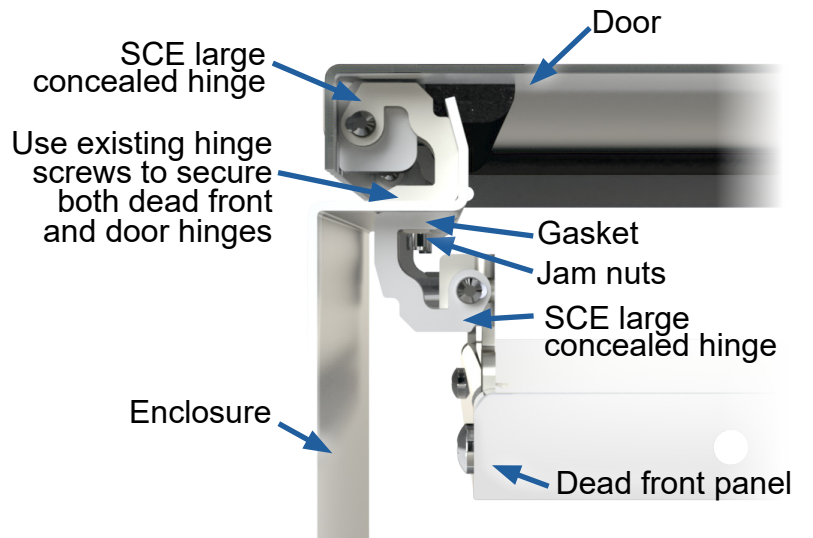


Bottom view section X-X  
View shown with doors and dead front panels closed

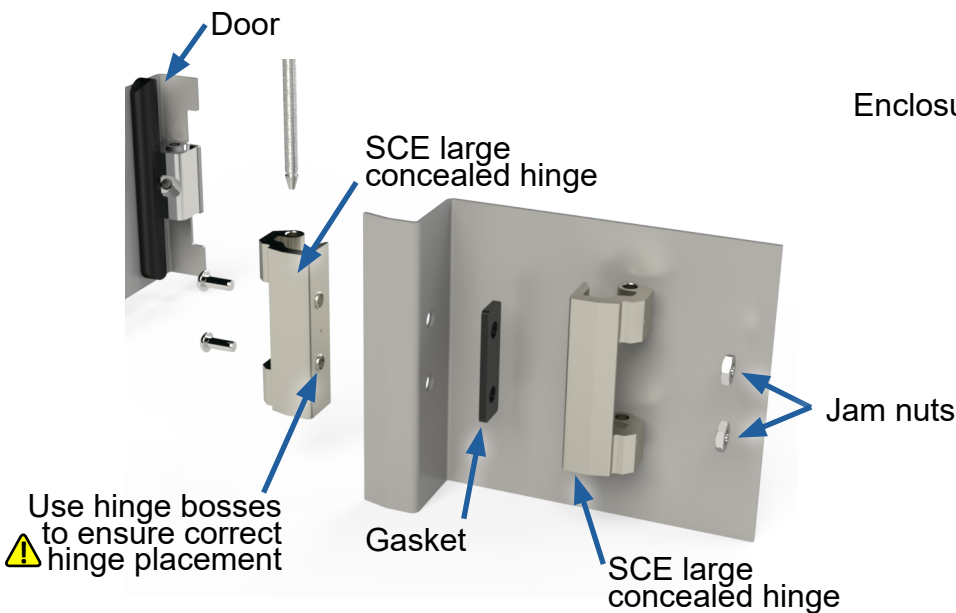


Section Y-Y

Drill  $\text{\O} .218$  hole for 10-32  
button head torx screw.  
18-24 ft-lbs of torque



Detail A



Deadfront Hinge Detail