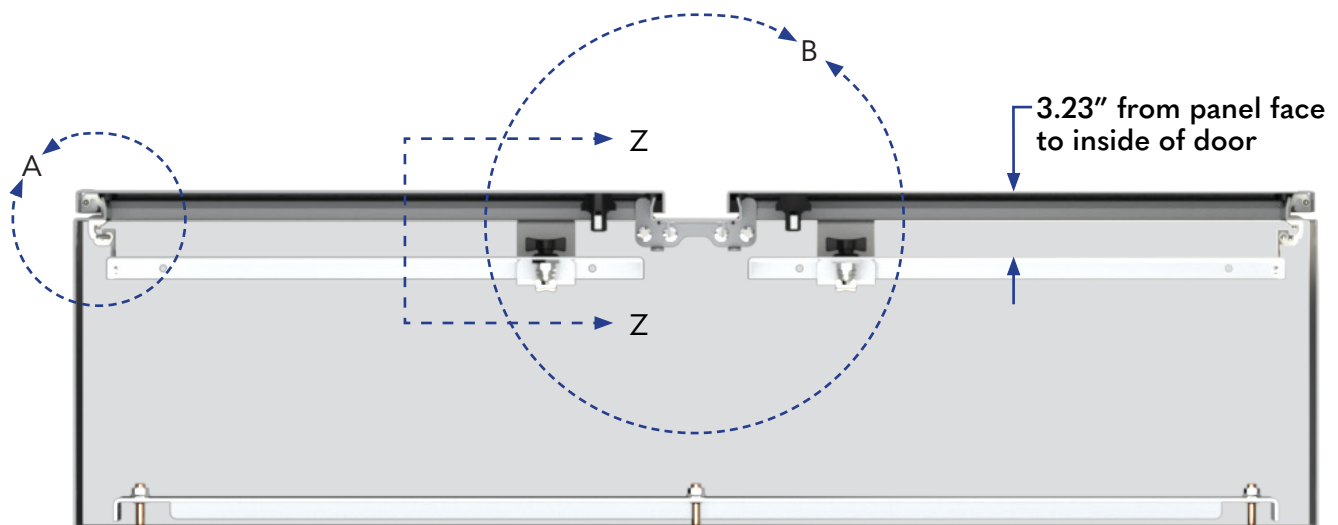


# DEAD FRONT, OVERLAPPING DOORS WITH LARGE HINGE

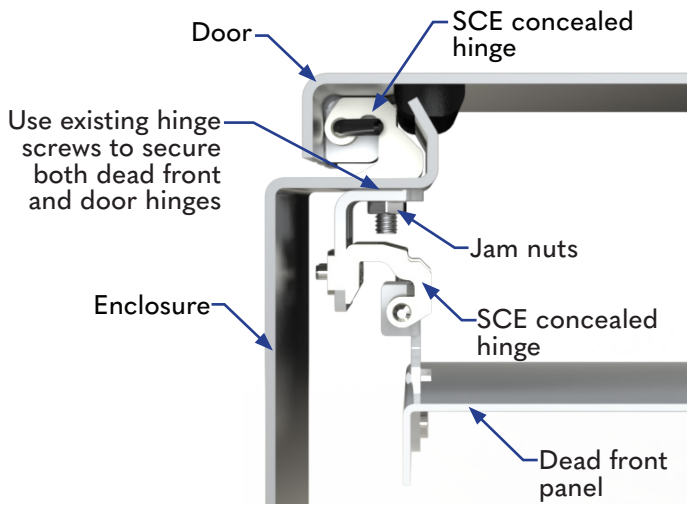


Dead Front panel size:  
H = Door opening height - 1.50"  
W = Door opening width - 0.297"

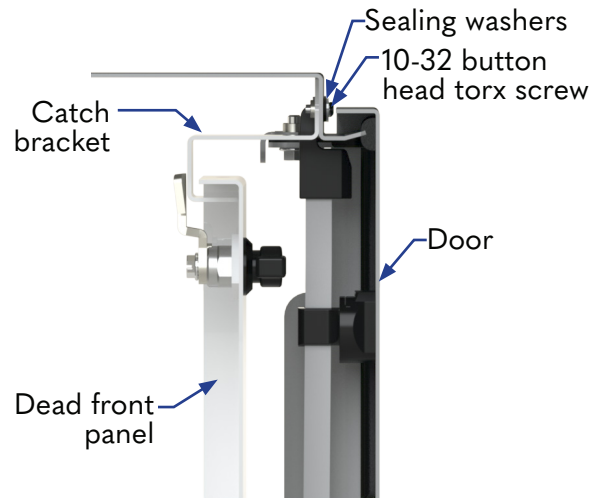
Bolt Pack:  
113346 for 2 hinge dead fronts  
113347 for 3 hinge dead fronts  
113348 for 4 hinge dead fronts



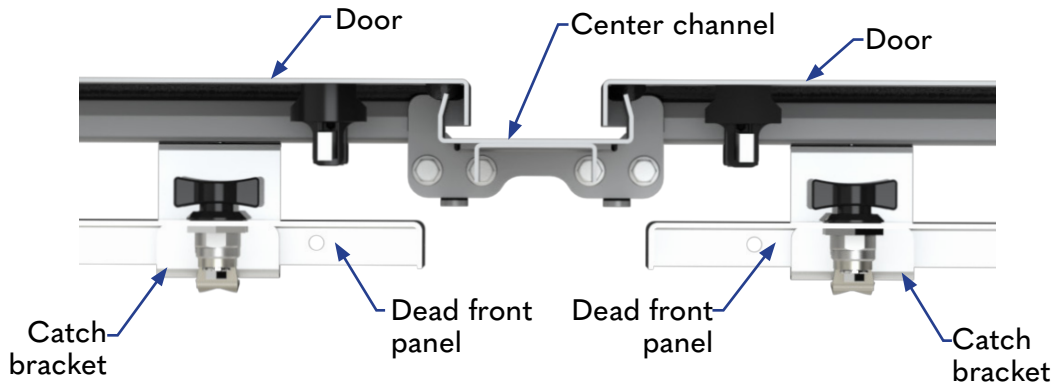
View shown with doors  
and dead front panels closed  
bottom view section X-X



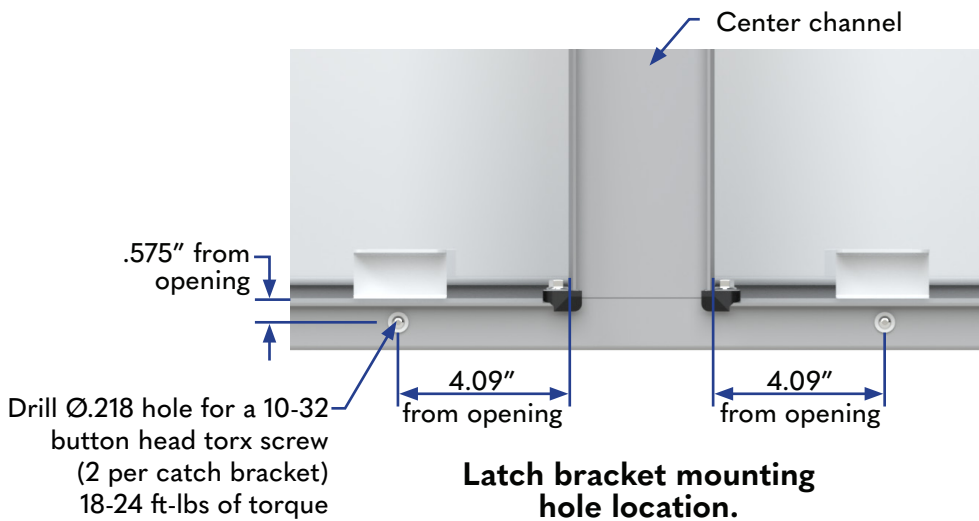
**Detail A**



**Section Z-Z**



**Section B**



**Latch bracket mounting hole location.  
(typ. top and bottom flange)**