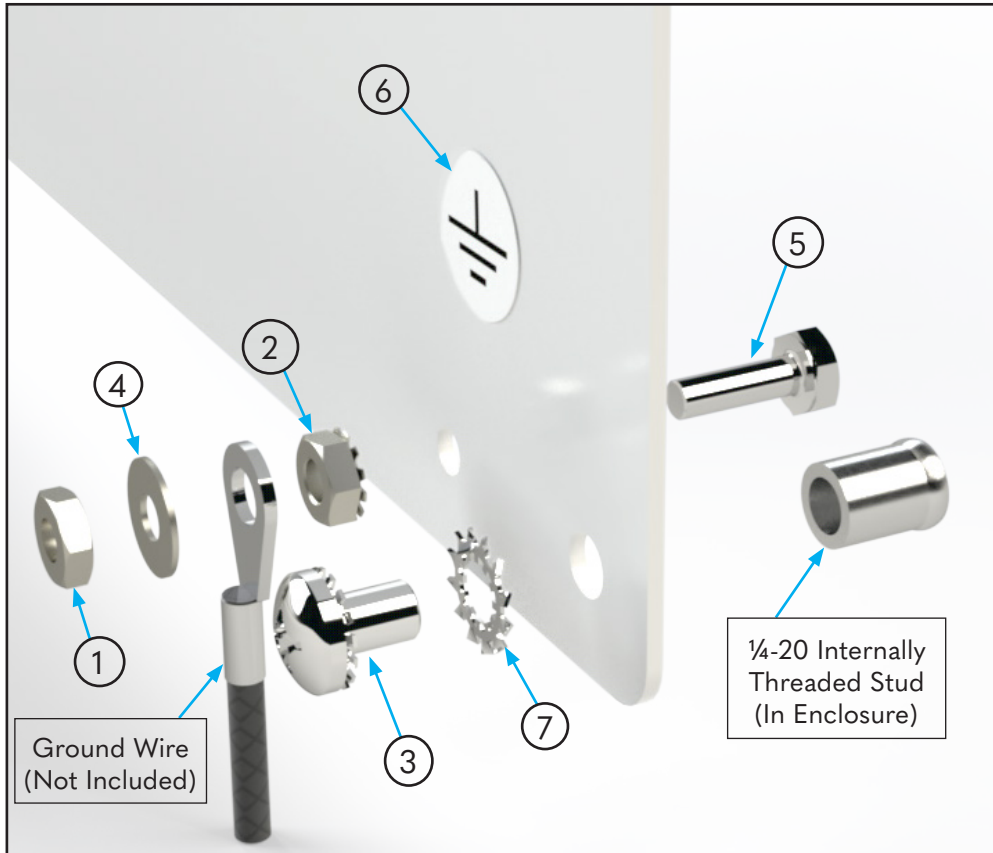


NEMA I GROUNDING HARDWARE



Installation View

*Door to body bonding wire & fasteners are **NOT** included

Bill of Material			
Item	Qty	Part Description	Part ID
1	1	Nut, Hex Full, 10-32, Steel, Zinc Clear	100896
2	1	Nut, Keps, 10-32, Steel, Zinc Clear	100897
3	8	Screw, Pan Head Phillips, 1/4-20 X 3/8", Steel, Zinc Clear, WWasher	102522
4	1	Flat Washer, #10, Steel, Plated Zinc Clear	103241
5	1	Hex Head Cap Screw, Full Threaded, 10-32 X 0.63 in. Steel, Zinc	104937
6	1	Identification Label, Ground Label, 0.75 inch Dia.	108268
7	1	Lock Washer, Internal, External Tooth, 1/4, Steel, Zinc	114322



123581 Bolt Pack