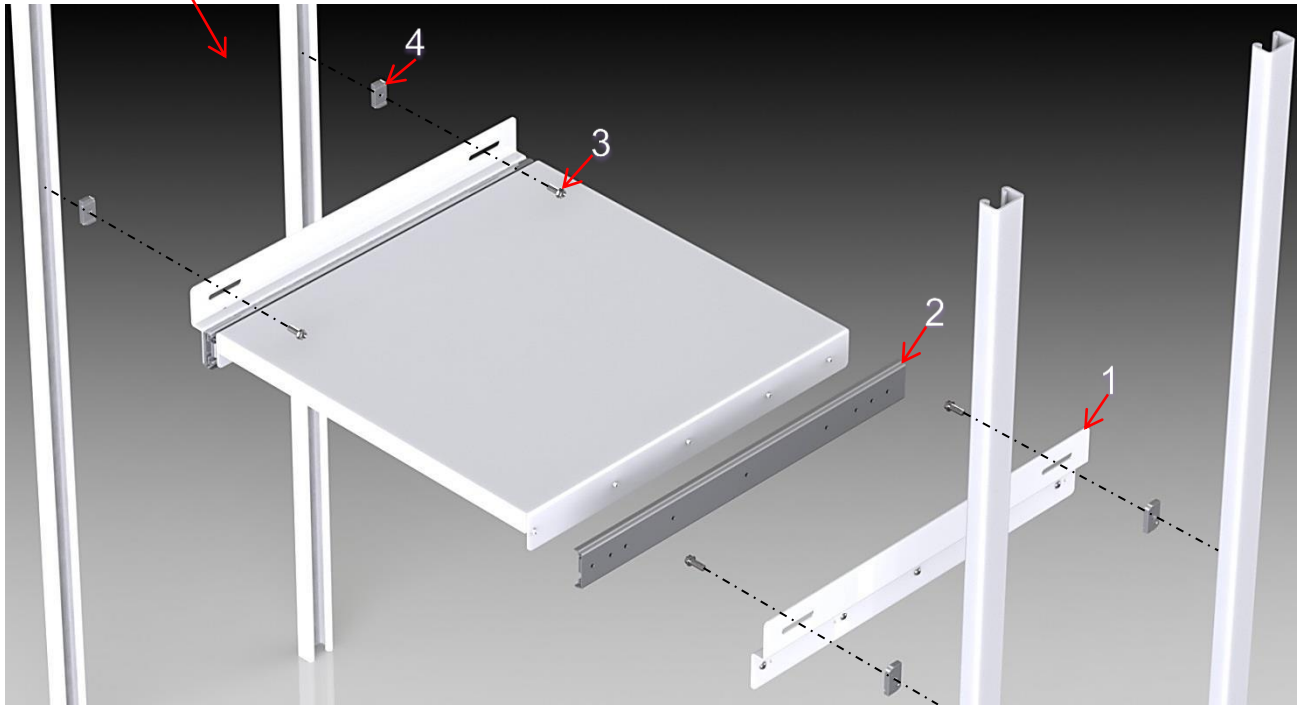


PULL OUT SHELF

EXPLODED VIEW:
SCE-20POS
SCE-22POS
WORKSTATION ENCLOSURE

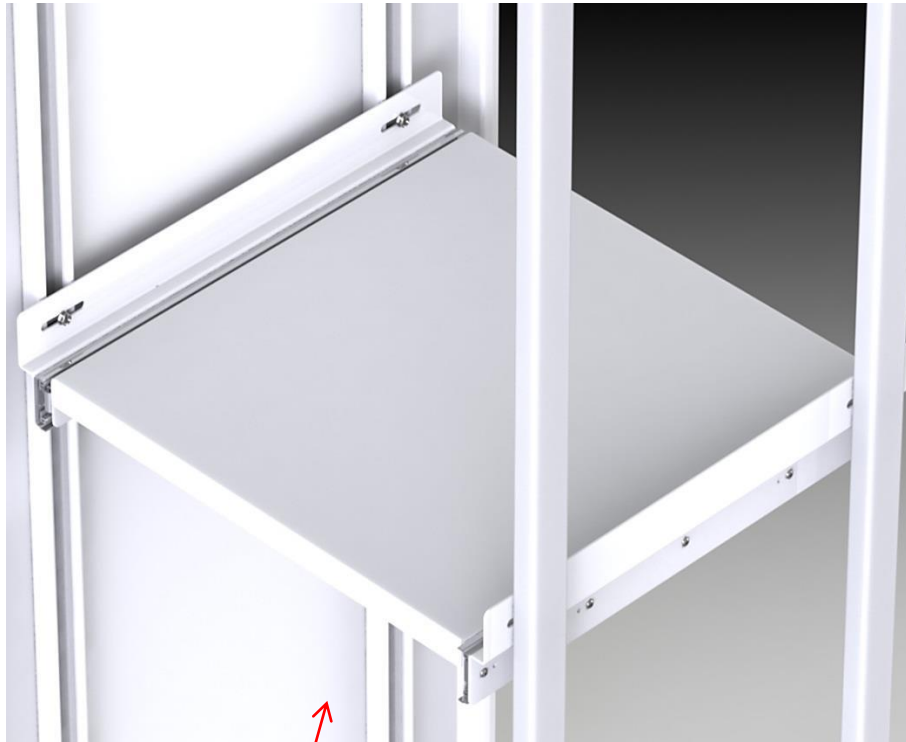
SCE-20POS
SCE-22POS
SCE-26POS



ITEM #	PART NAME	QTY.
1	Z-RAIL	2
2	SLIDE RAIL	2
3	1/4-20 X 3/4 SLOTTED HEX HEAD SCREW	4
4	1/4-20 CHANNEL NUTS	4

INSTALLATION INSTRUCTIONS

1. INSTALL (4) CHANNEL NUTS (ITEM 4) INTO CHANNELS PROVIDED ON THE RIGHT AND LEFT SIDE OF THE ENCLOSURE
2. ATTACH RIGHT AND LEFT Z-RAIL (ITEM 1) AS SHOWN. USE (4) SCREWS (ITEM 3) AND THREAD INTO THE CHANNEL NUTS (ITEM 4) IN THE RIGHT AND LEFT SIDE.
3. ADJUST THE PULL OUT SHELF TO THE DESIRED HEIGHT AND TIGHTEN SCREWS (ITEM 3)



SECTION VIEW:
INSIDE L.H. WALL OF
WORKSTATION ENCLOSURE