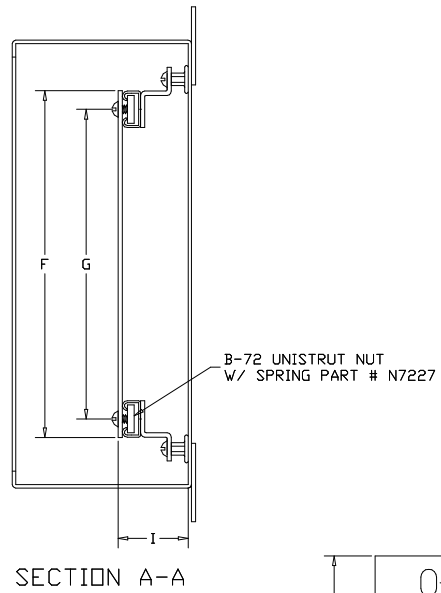
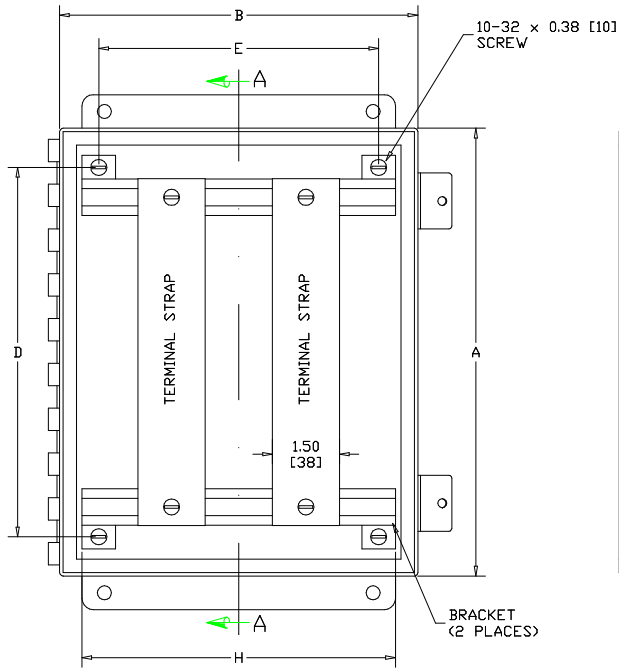
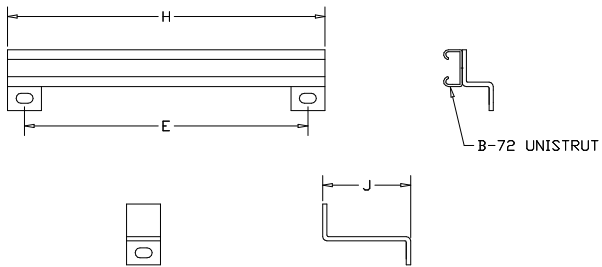


ASSEMBLY OF TERMINAL KIT IN "CH" ENCLOSURES

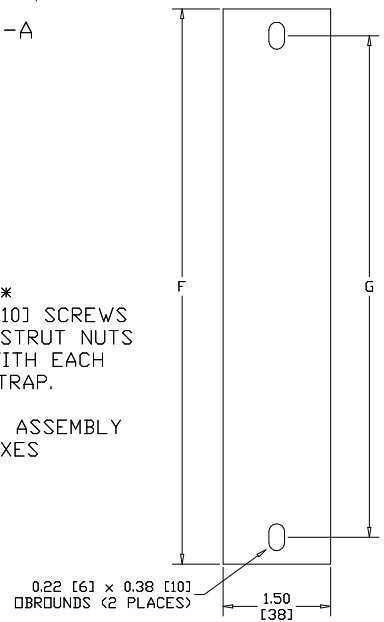


****NOTE****
(2) BRACKET ASSEMBLIES
PER PART NUMBER



****NOTE****
(2) 10-32 x 0.38 [10] SCREWS
AND (2) #N727 UNISTRUT NUTS
ARE SUPPLIED WITH EACH
TERMINAL STRAP.

SCE TERMINAL KIT ASSEMBLY
FOR CH BOXES



BRACKET ASSEMBLY

PART #	B	E	H	I	J
SCE-6JTMA	6.00 [152]	4.25 [108]	5.00 [127]	1.56 [40]	0.68 [17]
SCE-8JTMA	8.00 [203]	6.25 [159]	7.00 [178]	1.56 [40]	0.68 [17]
SCE-10JTMA	10.00 [254]	8.25 [210]	9.00 [229]	1.56 [40]	0.68 [17]
SCE-10JTMAXK	10.00 [254]	8.25 [210]	9.00 [229]	2.81 [71]	1.93 [49]
SCE-12JTMA	12.00 [305]	10.25 [260]	11.00 [279]	2.81 [71]	1.93 [49]
SCE-14JTMA	14.00 [356]	12.25 [311]	13.00 [330]	2.81 [71]	1.93 [49]

TERMINAL STRAPS

PART #	A	D	F	G
SCE-8JS	8.00 [203]	6.25 [159]	5.75 [146]	5.00 [127]
SCE-10JS	10.00 [254]	8.25 [210]	7.75 [197]	7.00 [178]
SCE-12JS	12.00 [305]	10.25 [260]	9.75 [248]	9.00 [229]
SCE-14JS	14.00 [356]	12.25 [311]	11.75 [298]	11.00 [279]
SCE-16JS	16.00 [406]	14.25 [362]	13.75 [349]	13.00 [330]