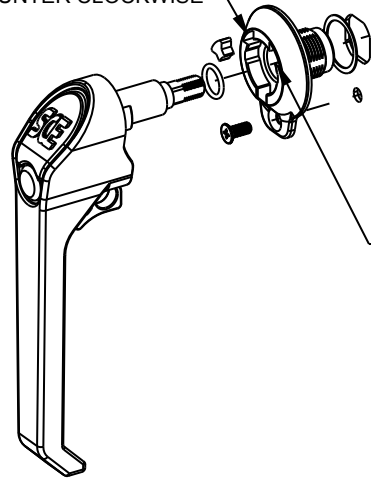


INSERT STOP PIN HERE HANDLE
TURNS COUNTER CLOCKWISE



INSERT STOP PIN HERE
HANDLE TURNS CLOCKWISE

INSTALLATION OF SCE DOOR HARDWARE ON STANDARD ENCLOSURES
THAT DO NOT HAVE HANDLES OR PROVISIONS FOR HANDLES.

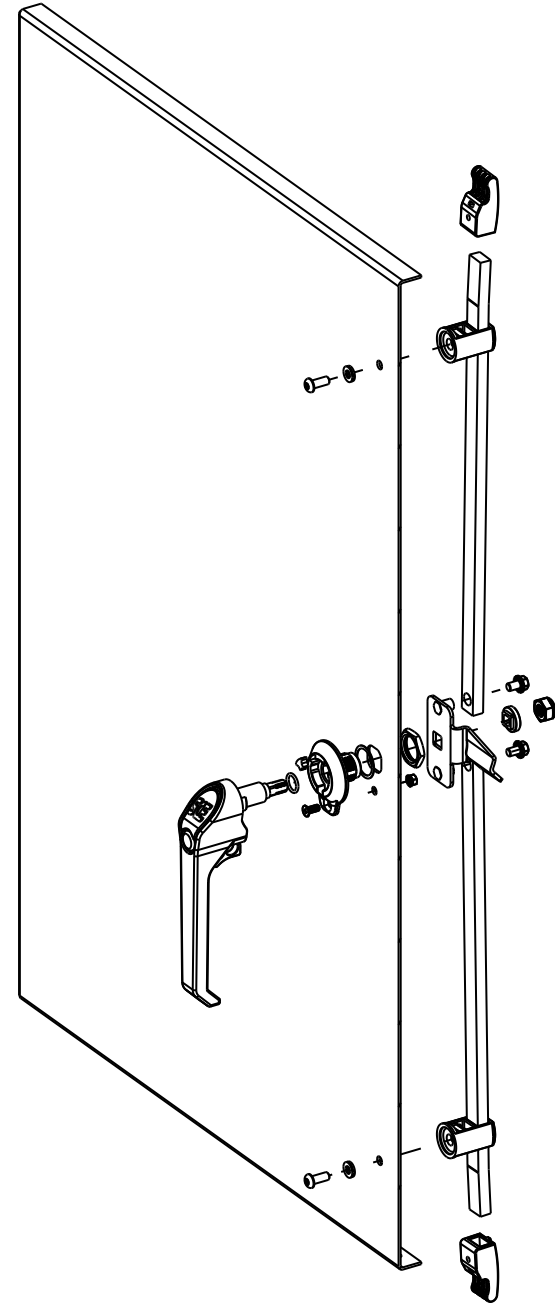
PURCHASE ONE OF THE HANDLES LISTED BELOW.

- SCE-PH5 5.00 [127] PADLOCKABLE HANDLE
- SCE-PCH5 5.00 [127] PADLOCKABLE SLOTTED COIN PROOF HANDLE
- SCE-PCH5-7SC 5.00 [127] PADLOCKABLE 7MM SQUARE COIN PROOF HANDLE
- SCE-PKH5 5.00 [127] PADLOCKABLE KEY LOCKING HANDLE

- SCE-PH7 7.00 [178] PADLOCKABLE HANDLE
- SCE-PCH7 7.00 [178] PADLOCKABLE SLOTTED COIN PROOF HANDLE
- SCE-PCH7-7SC 7.00 [178] PADLOCKABLE 7MM SQUARE COIN PROOF HANDLE
- SCE-PKH7 7.00 [178] PADLOCKABLE KEY LOCKING HANDLE

PURCHASE SCE-ARK36 DOOR ROD KIT FOR 2 OR 3 POINT LATCHING.

1. LOCATE AND DRILL HANDLE AND ROD GUIDE MOUNTING HOLES.
2. INSTALL ROD GUIDES.
3. MEASURE DOOR OPENING HEIGHT. DOOR ROD LENGTH = (HEIGHT/2)-1.00
4. DRILL A 0.36 [9,1] DIA HOLE, 0.31 [7,9] FROM ONE END OF THE DOOR RODS.
5. INSTALL DOOR HANDLE AND LATCH PLATE.
6. INSERT DOOR ROD THROUGH THE ROD GUIDE BEFORE ASSEMBLING THE RAM SHOES.
7. ATTACH RODS TO THE LATCH PLATE AND INSTALL RAM SHOES TO THE DOOR RODS.



SAGINAW CONTROL & ENGINEERING
ISO 9001:2000 Certified Company



Your Enclosure Source®

Corporate Office:
95 Midland Road
Saginaw, Michigan 48638-5770
(989) 799-6871
Fax (989) 799-4524
(800) 234-6871
<http://www.saginawcontrol.com>
E-mail: sce@saginawcontrol.com

TITLE: SPEC-HANDLE-INSTMAN	REV: 0
INSTALLATION, SCE PADLOCKING HANDLE	
SHEET: 1 OF 1	