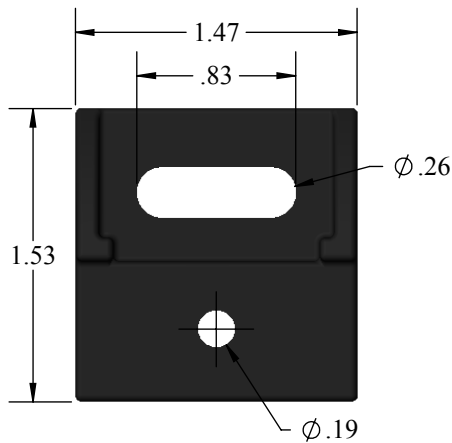
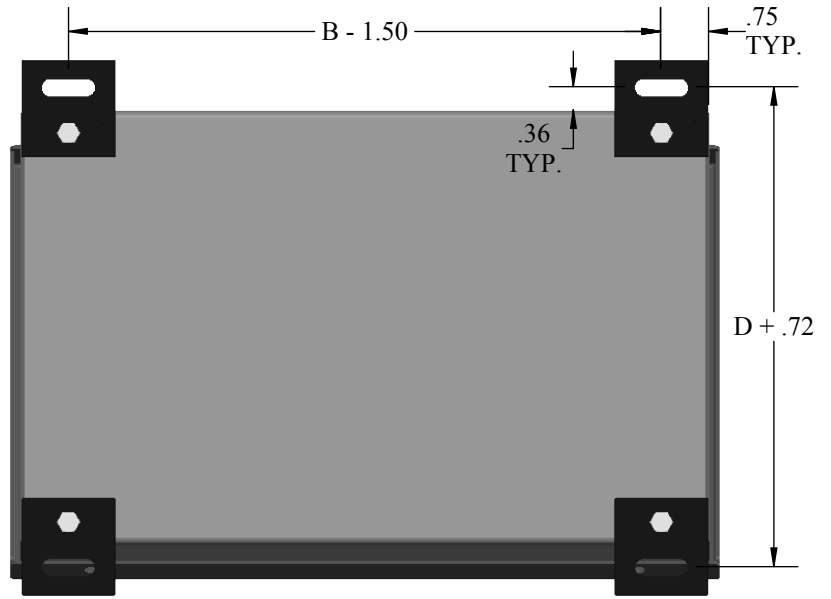
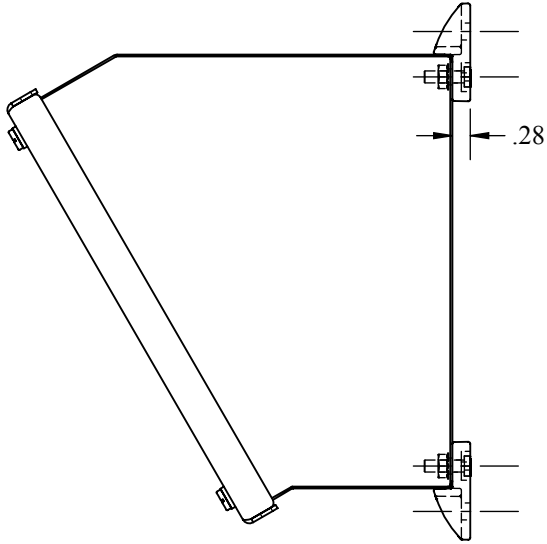


MOUNTING FOOT KIT FOR PBA / PBAI ENCLOSURES



PERFORMANCE CHARACTERISTICS 33% GLASS REINFORCED NYLON (POLYAMIDE 66)	
ACETIC ACID (DELUTED)	LITTLE EFFECT
ANTIFREEZE	NO EFFECT
BREAK FLUID	NO EFFECT
CHLORINE WATER	LITTLE EFFECT
CITRIC ACID (DELUTED)	LITTLE EFFECT
COLD	-40F
CORROSION RESISTANCE	EXCELLENT
DARK CUTTING OIL CUTTING FLUID	NO EFFECT
GASOLINE	NO EFFECT
HEAT RESISTANCE	>300F
IMPACT	EXCELLENT
MEK	NO EFFECT
MELTING POINT	504F
MOTOR OIL	NO EFFECT
SEA WATER	NO EFFECT
SULFURIC ACID (DELUTED)	LITTLE EFFECT
UL 94	V-2
UV RESISTANCE	EXCELLENT
WEATHER RESISTANCE	EXCELLENT
XYLENE	NO EFFECT
STATIC LOAD	
SCE-ELJMFK	100 LBS.

MOUNTING FEET

NOT INTENDED FOR LIFTING.