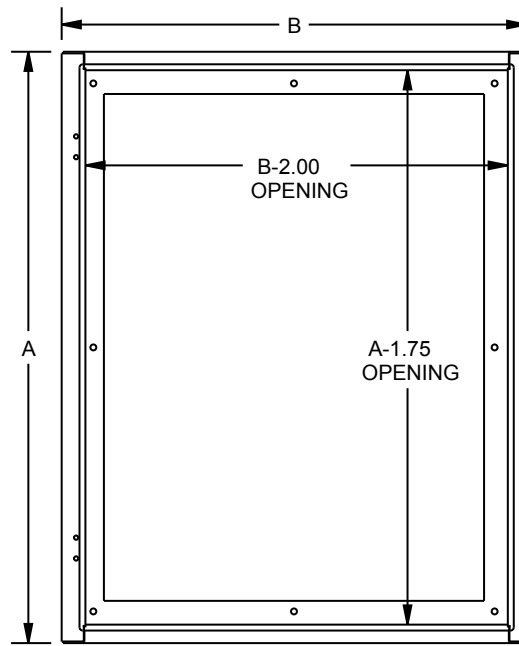
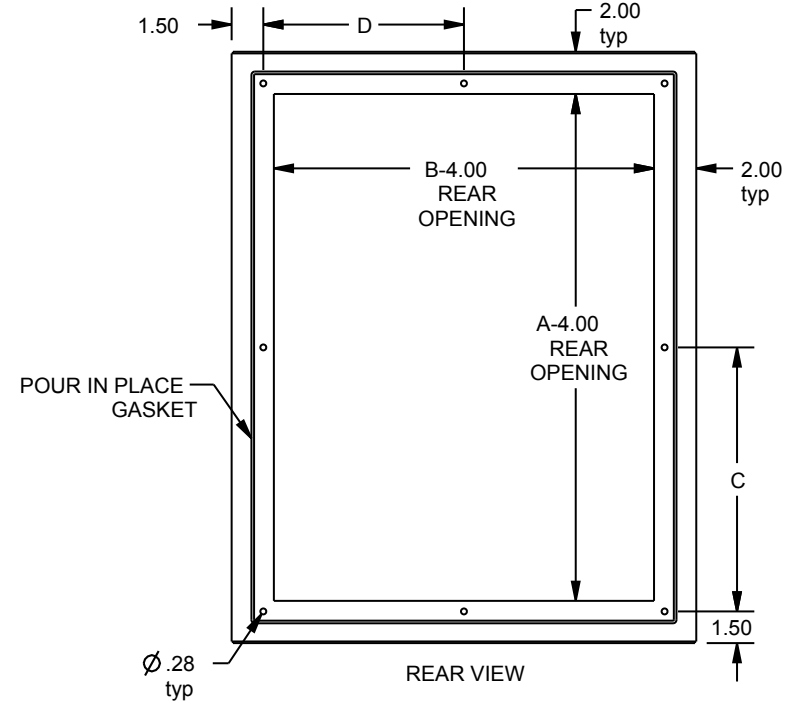




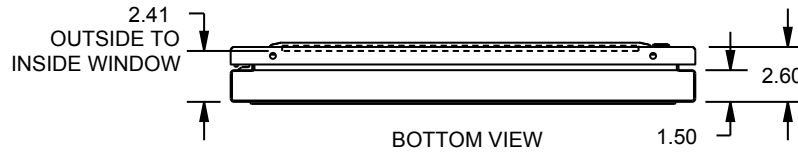
HINGE SIDE VIEW



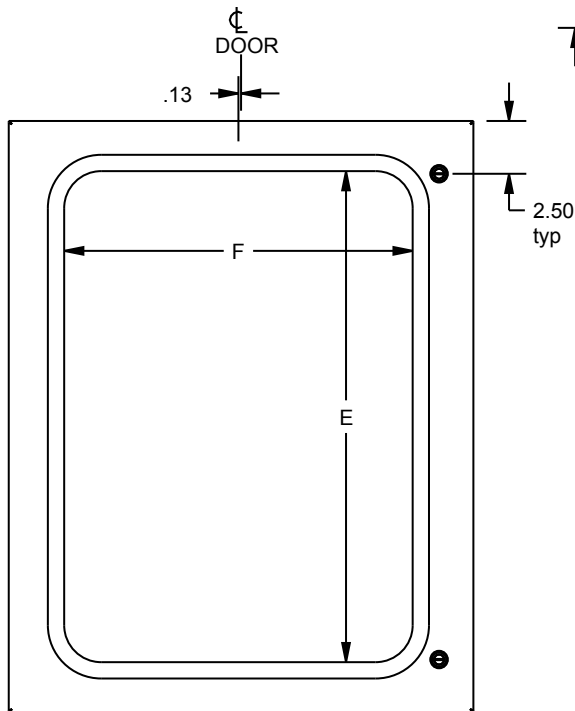
FRONT VIEW
(DOOR REMOVED)



REAR VIEW



BOTTOM VIEW



DOOR VIEW

CATALOG NUMBER	A	B	C	D	E	F
SCE-HWK2228 SCE-HWK2228SS	22.00	28.00	9.50	12.50	17.25	22.50
SCE-HWK2822 SCE-HWK2822SS	28.00	22.00	12.50	9.50	23.25	16.50

TITLE: SPEC-EL-HWK	REV: 0
INSTALLATION, EL HINGED WINDOW KIT	
SHEET: 1 OF 1	

SAGINAW CONTROL & ENGINEERING
ISO 9001:2000 Certified Company



Your Enclosure Source®

Corporate Office:
95 Midland Road
Saginaw, Michigan 48638-5770
(989) 799-6871
Fax (989) 799-4524
(800) 234-6871
<http://www.saginawcontrol.com>
E-mail: sce@saginawcontrol.com