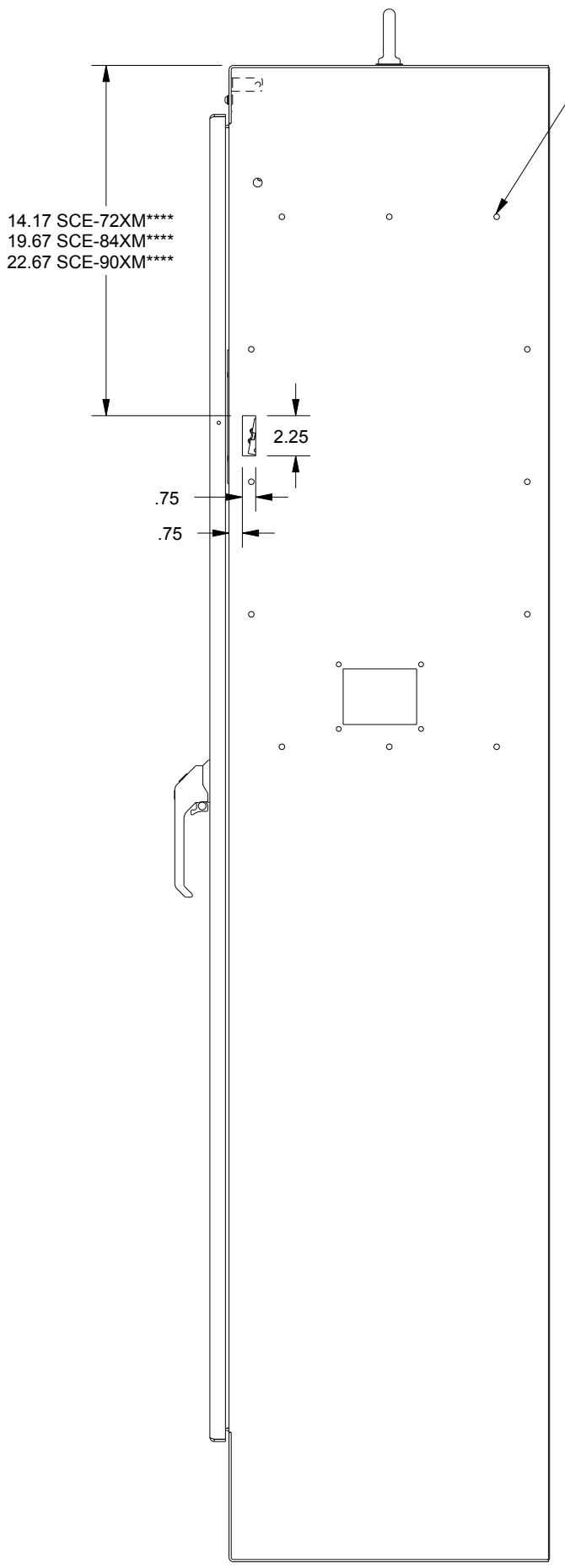
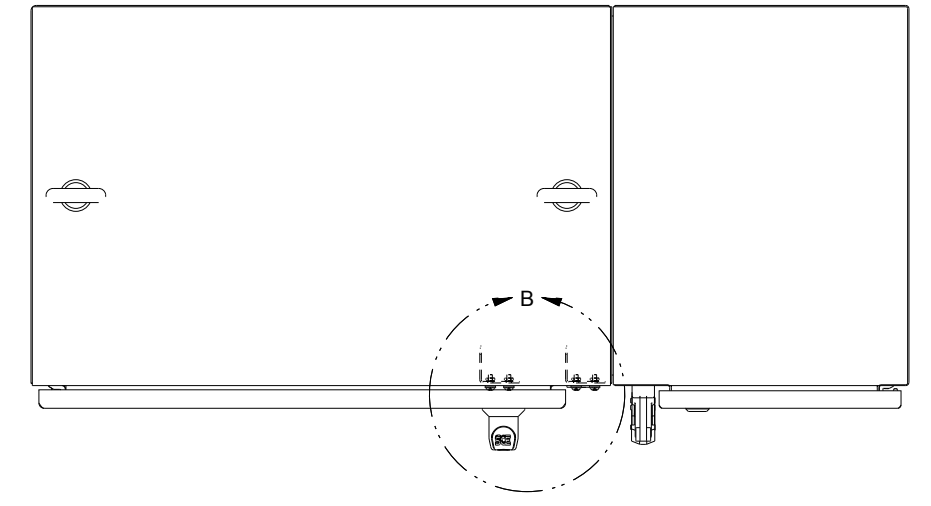


FRONT VIEW



RIGHT SIDE VIEW
(SCE-EXD18 REMOVED)

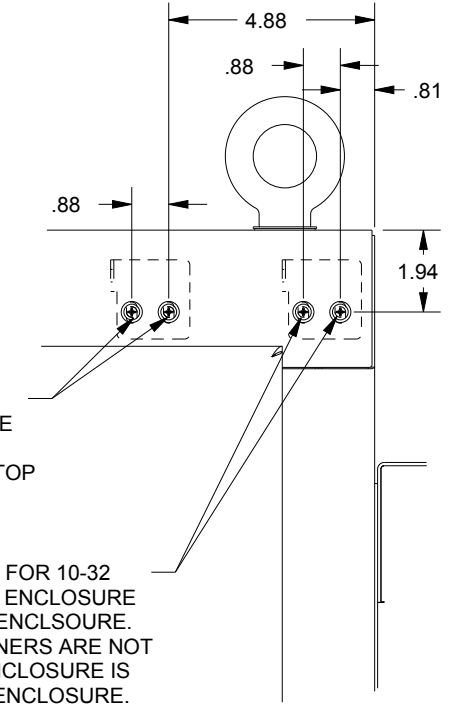
SEE SHEET 6 FOR MOUNTING DETAILS



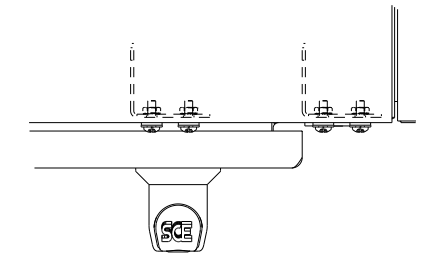
TOP VIEW

DRILL (2) CLEARANCE HOLES FOR 10-32 HARDWARE 2plcs IF SCE-EXD ENCLOSURE IS FLUSH WITH THE TOP OF THE MAIN ENCLOSURE OR OFFSET FROM THE TOP

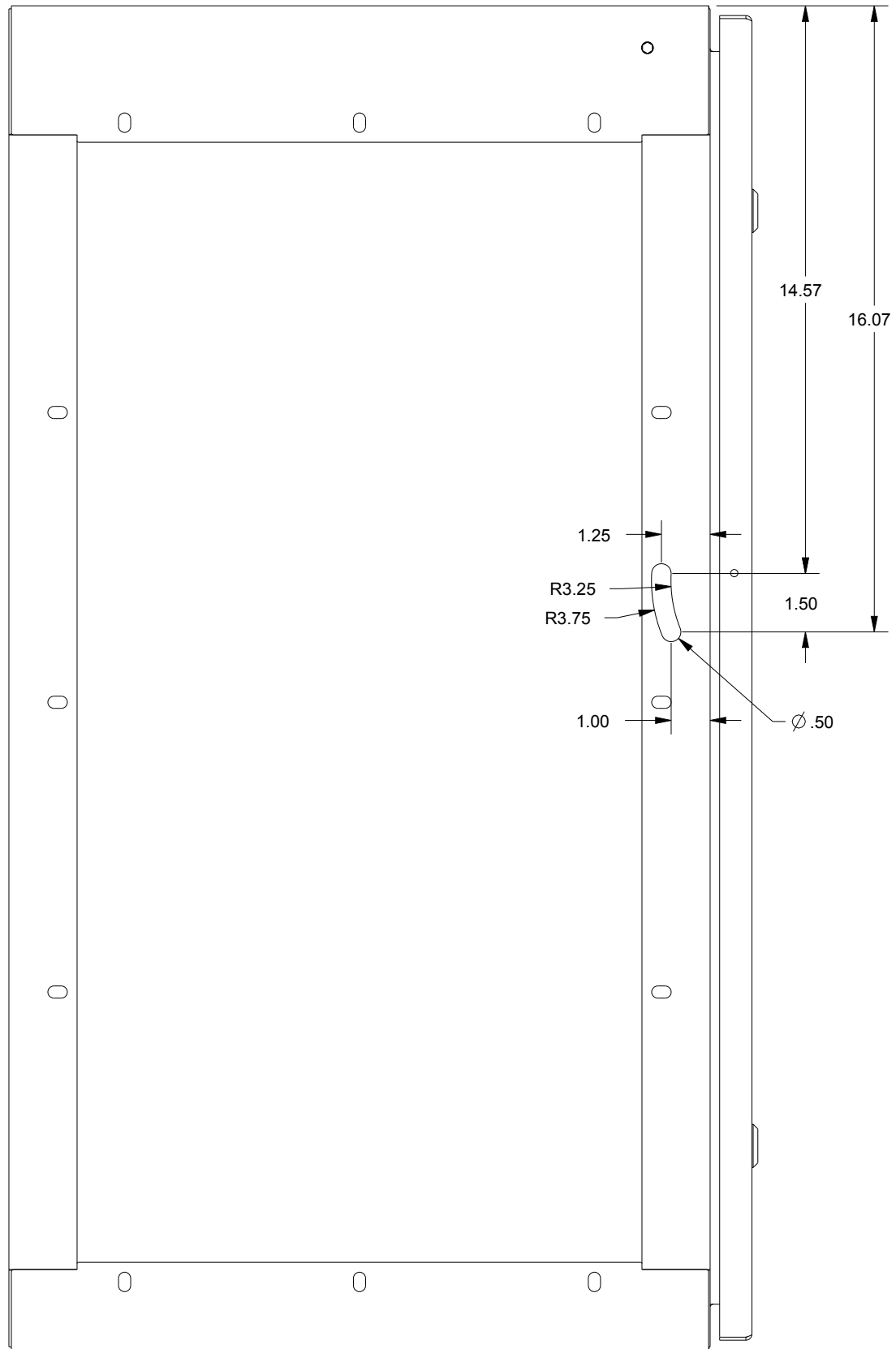
DRILL (2) CLEARANCE HOLES FOR 10-32 HARDWARE 2plcs IF SCE-EXD ENCLOSURE IS OFFSET FROM THE TOP OF THE ENCLOSURE. THE BRACKET AND FASTENERS ARE NOT REQUIRED IF THE SCE-EXD ENCLOSURE IS FLUSH WITH THE TOP OF THE MAIN ENCLOSURE.



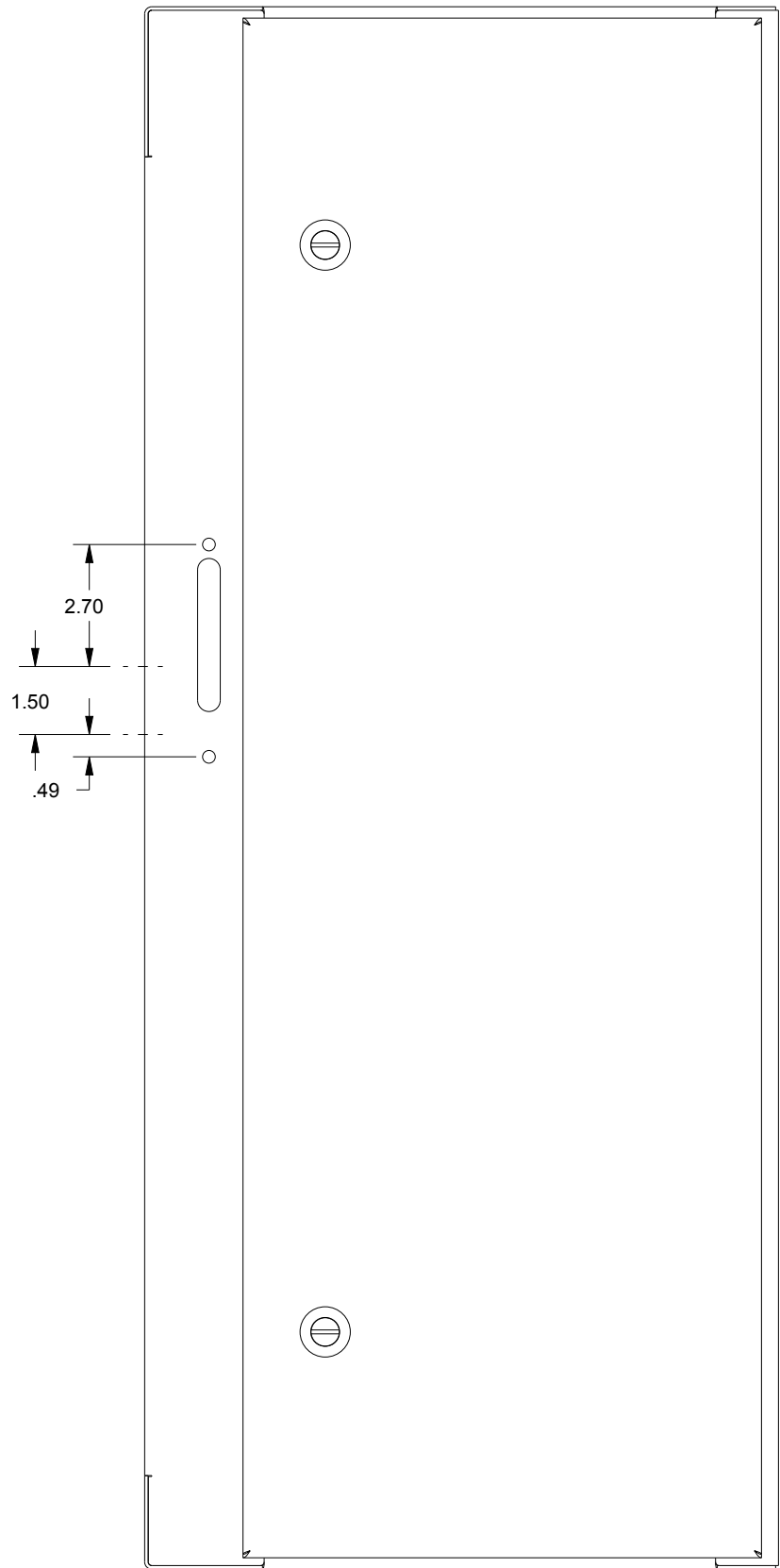
DETAIL A
(SCALE x2)



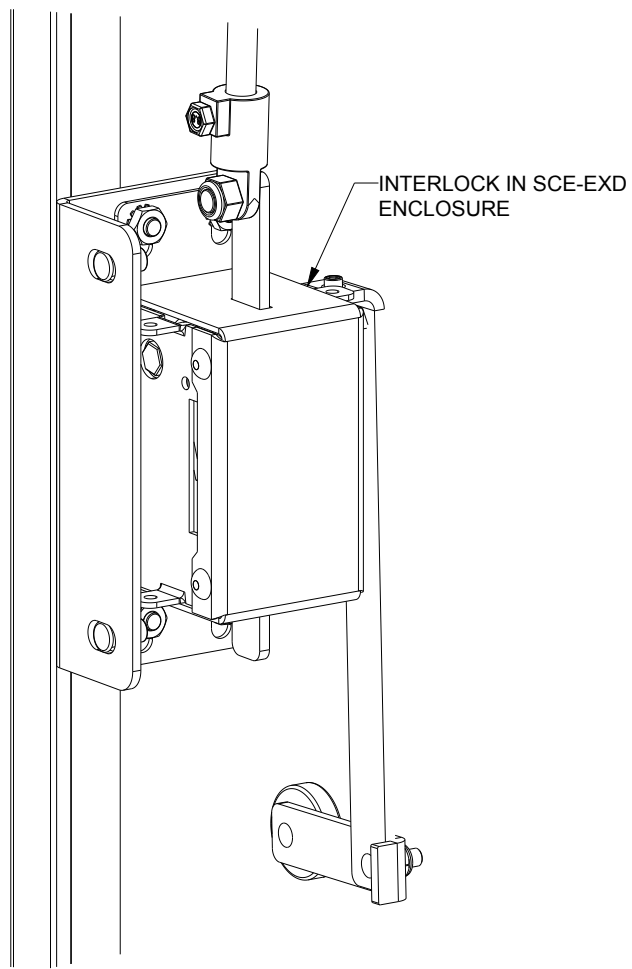
DETAIL B
(SCALE x2)



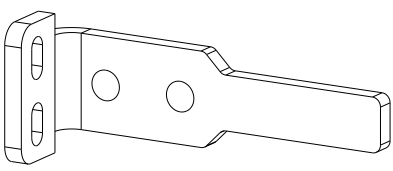
EXTERNAL DISCONNECT ENCLOSURE LEFT SIDE VIEW



EXTERNAL DISCONNECT ENCLOSURE FRONT VIEW



INSTALL DEFEATER BRACKET ON ALLEN BRADLEY OPERATING HANDLES USING SCREWS SUPPLIED WITH HANDLE OR (2) 6-32 x 3/8" SCREWS SUPPLIED.



INSTALL DEFEATER BRACKET ON SQUARE D OPERATING HANDLES USING (2) 6-32 x 3/8" SCREWS AND (2) 6-32 KEPS NUTS SUPPLIED.

DEFEATER HOOK BRACKET AND FASTENERS SUPPLIED WITH EXTERNAL DISCONNECT ENCLOSURE

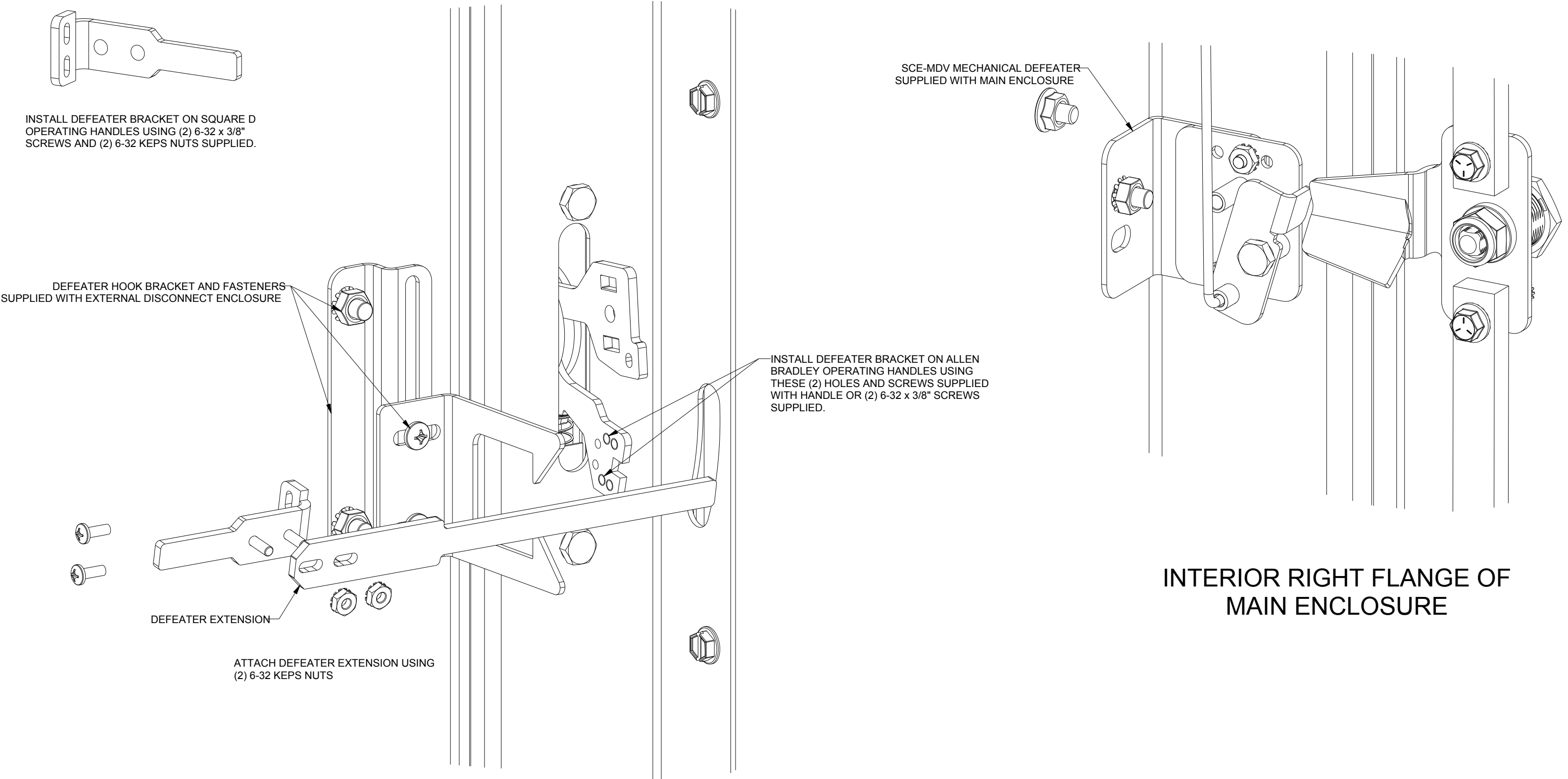
INSTALL DEFEATER BRACKET ON ALLEN BRADLEY OPERATING HANDLES USING THESE (2) HOLES AND SCREWS SUPPLIED WITH HANDLE OR (2) 6-32 x 3/8" SCREWS SUPPLIED.

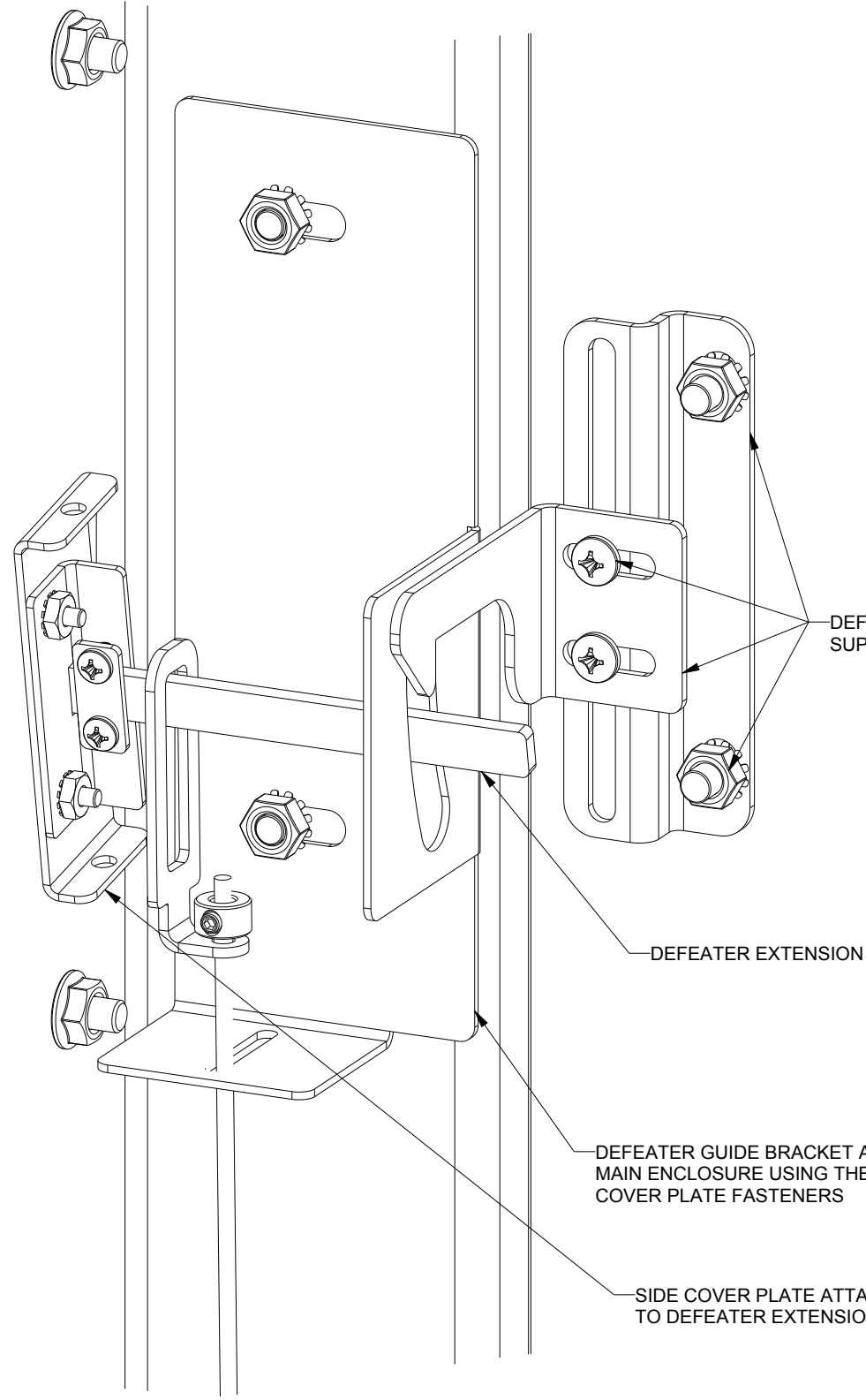
ATTACH DEFEATER EXTENSION USING (2) 6-32 KEPS NUTS

SCE-MDV MECHANICAL DEFEATER SUPPLIED WITH MAIN ENCLOSURE

INTERIOR RIGHT FLANGE OF MAIN ENCLOSURE

INTERIOR LEFT FLANGE OF EXTERNAL DISCONNECT ENCLOSURE





(2) 10-32 x 3/8" MACHINE SCREWS AND KEPS NUTS FOR ATTACHING STOP BARS. ADJUST STOP BARS SO STOP BRACKET CLEARS THE DOOR ROD WHEN EXD ENCLOSURE DOOR IS CLOSED BUT BLOCKS THE DOOR ROD WHEN EXD ENCLOSURE DOOR IS OPEN. WITH THE MAIN ENCLOSURE DOOR AND EXTERNAL DISCONNECT ENCLOSURE DOOR OPEN, STOP BRACKET SHOULD BE PARALLEL TO THE FLANGE AND AS CLOSE AS POSSIBLE TO THE DOOR OPENING. SEE SHEET 5 OF 5.

DEFEATER HOOK, BRACKET AND FASTENERS SUPPLIED WITH MAIN ENCLOSURE

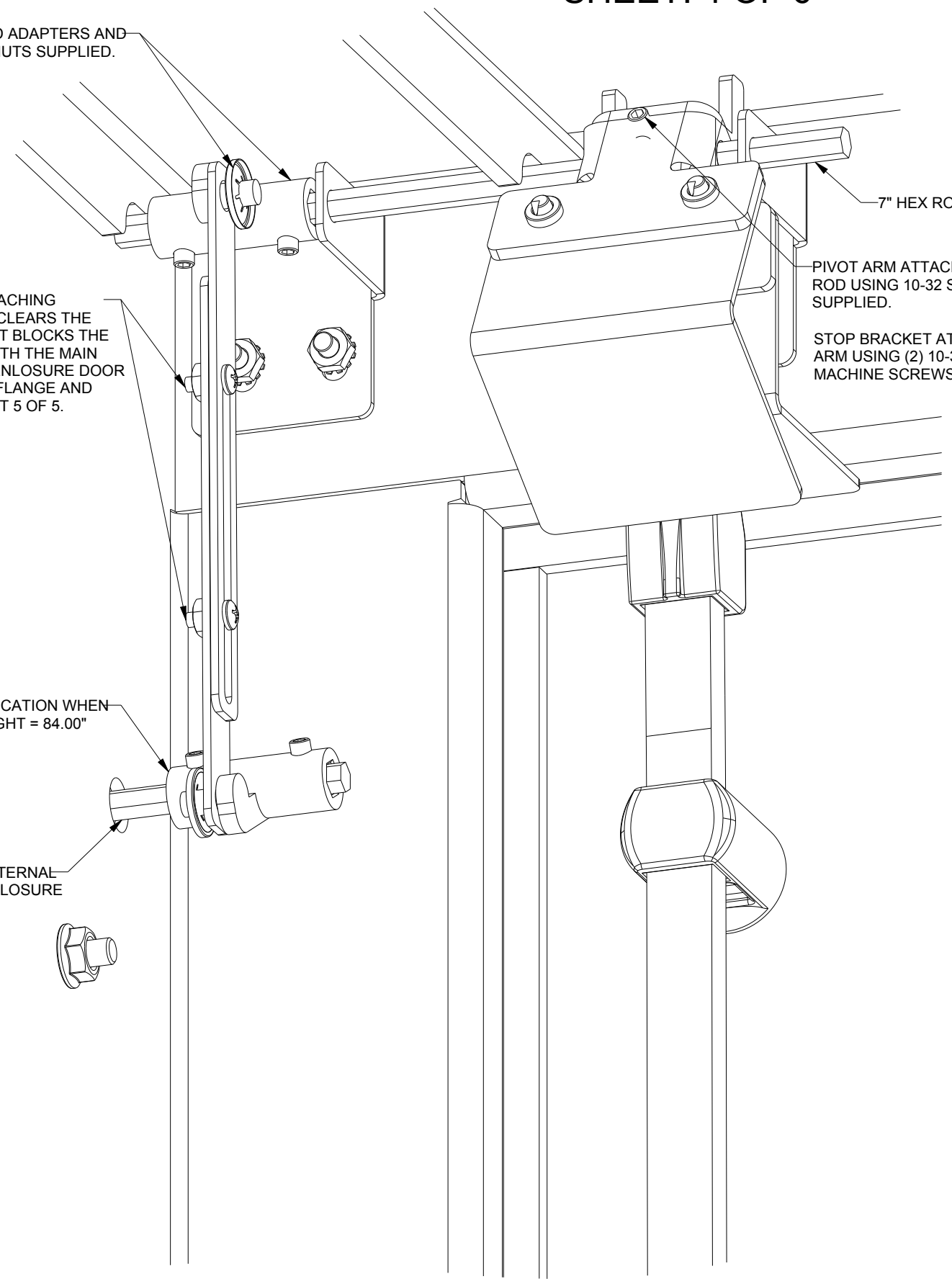
DEFEATER EXTENSION

DEFEATER GUIDE BRACKET ATTACHES TO MAIN ENCLOSURE USING THE DISCONNECT COVER PLATE FASTENERS

SIDE COVER PLATE ATTACHES TO DEFEATER EXTENSION

INTERIOR RIGHT FLANGE OF MAIN ENCLOSURE

HEX ROD ADAPTERS AND PUSH NUTS SUPPLIED.



7" HEX ROD SUPPLIED.

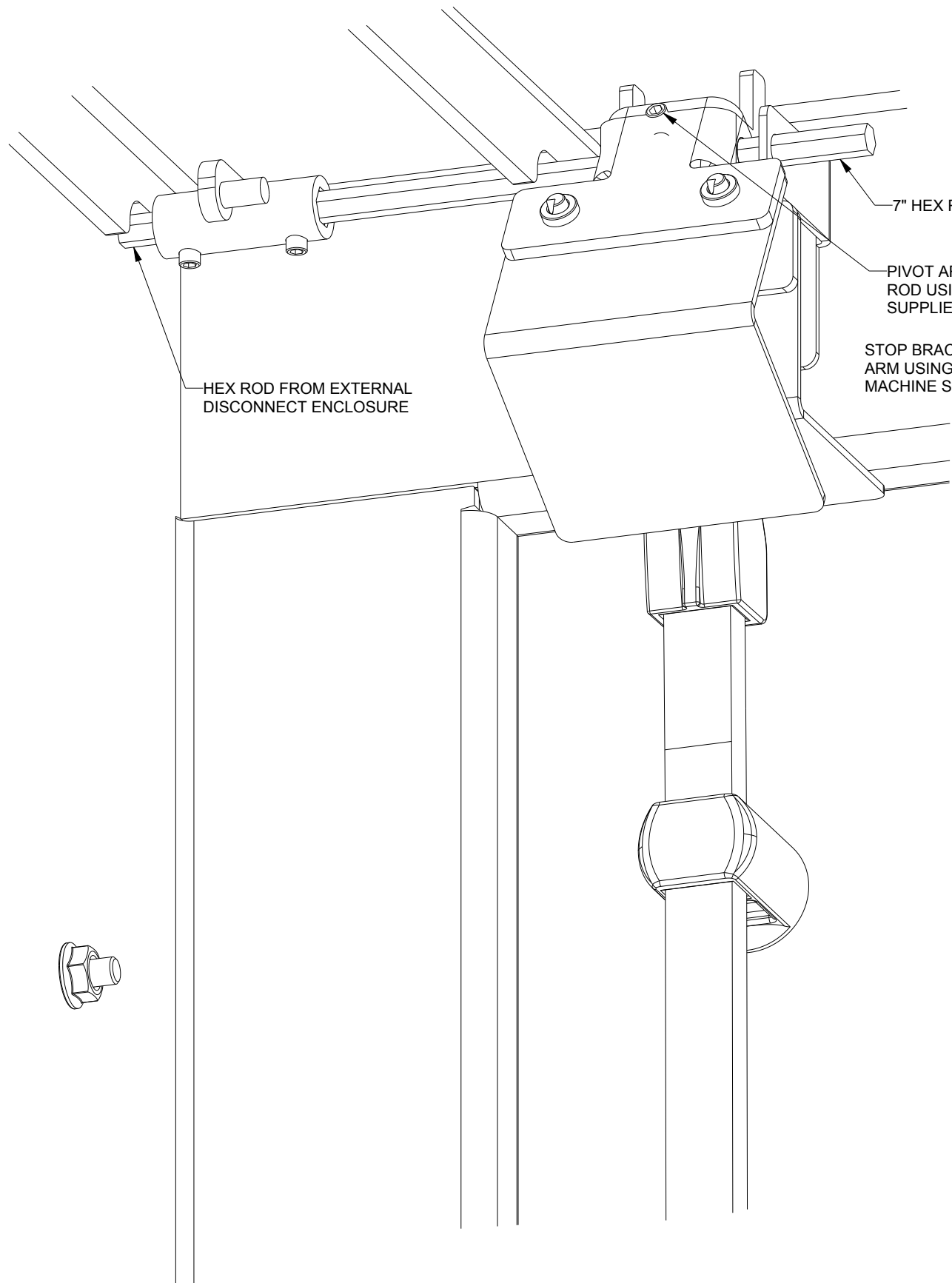
PIVOT ARM ATTACHES TO HEX ROD USING 10-32 SET SCREW SUPPLIED.

STOP BRACKET ATTACHES TO PIVOT ARM USING (2) 10-32 x 3/8" MACHINE SCREWS SUPPLIED.

HEX ROD LOCATION WHEN ENCLOSURE HEIGHT = 84.00"

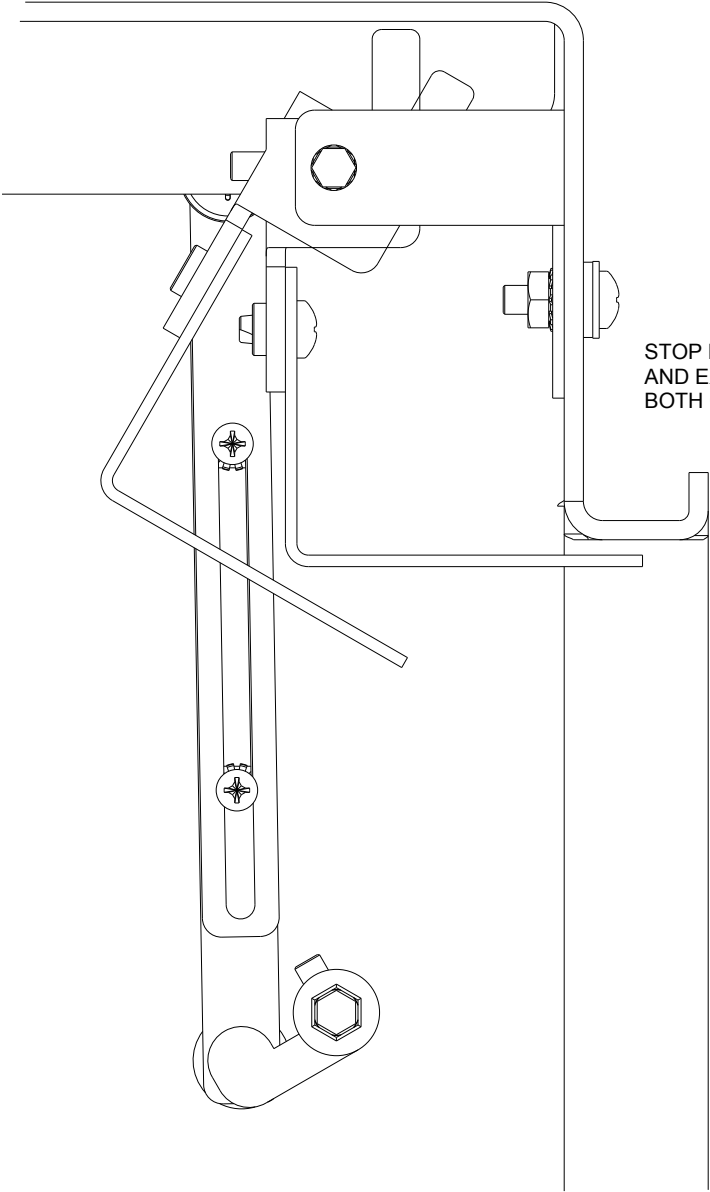
HEX ROD FROM EXTERNAL DISCONNECT ENCLOSURE

INTERIOR UPPER RIGHT FLANGE OF MAIN ENCLOSURE



INTERIOR UPPER RIGHT FLANGE
OF MAIN ENCLOSURE

STOP BRACKET INSTALLATION
DETAILS WHEN ENCLOSURE HEIGHT = 72"



INTERIOR UPPER RIGHT FLANGE
OF MAIN ENCLOSURE

