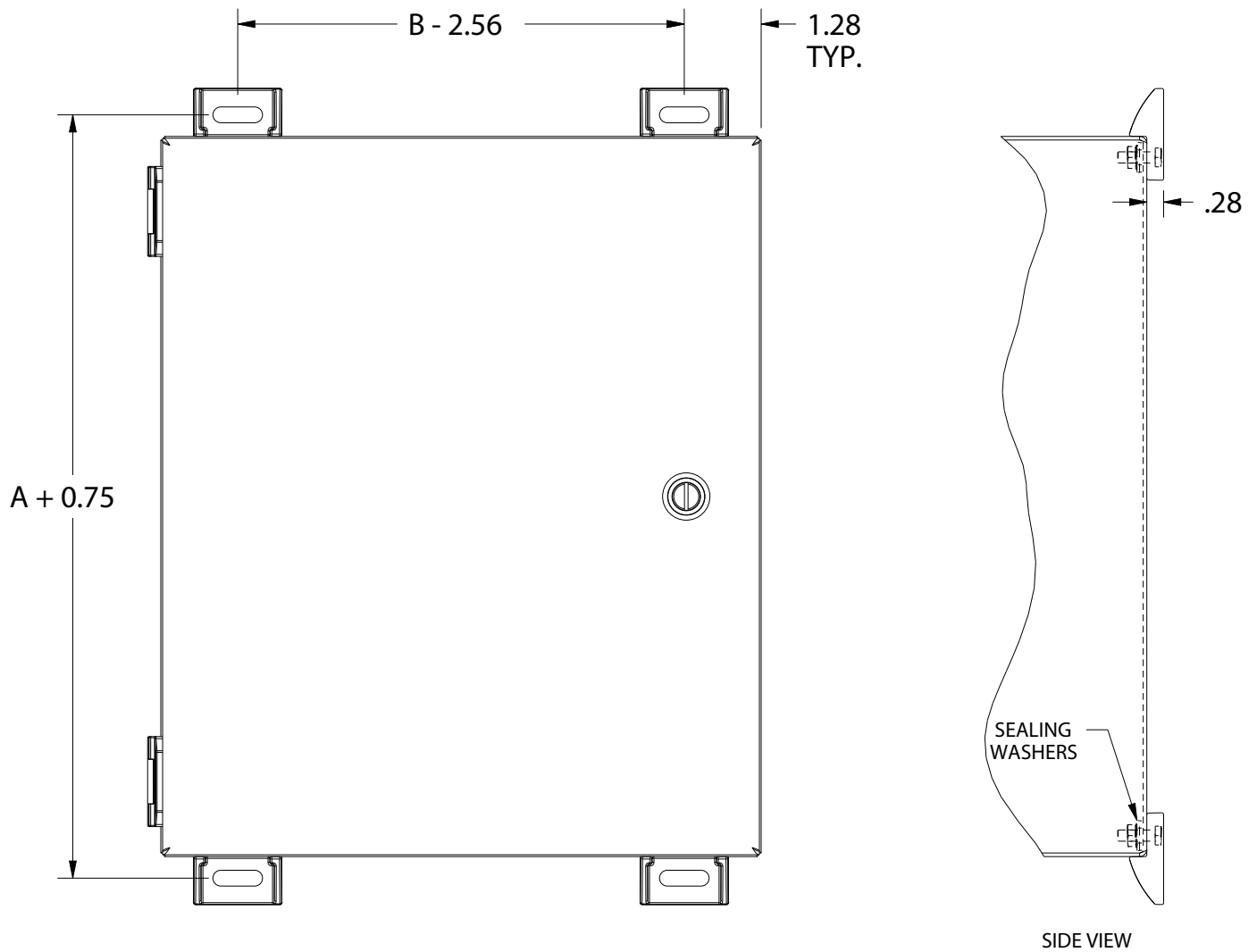


MOUNTING FOOT KIT FOR ELJ ENCLOSURES



Performance Characteristics 33% Glass Reinforced Nylon (Polyamide 66)	
Acetic Acid (Deluted)	Little Effect
Antifreeze	No Effect
Break Fluid	No Effect
Chlorine Water	Little Effect
Citric Acid (Deluted)	Little Effect
Cold	-40F
Corrosion Resistance	Excellent
Salt Spray	>5,000 hrs
Dark Cutting Oil Cutting Fluid	No Effect
Gasoline	No Effect
Heat Resistance	>300F
Impact	Excellent
MEK	No Effect
Melting Point	504F
Motor Oil	No Effect
Sea Water	No Effect
Sulfuric Acid (Deluted)	Little Effect
UL 94	V-2
UV Resistance	Excellent
Weather Resistance	Excellent
Xylene	No Effect
Static Load	
SCE-ELJMFK	100 Lbs.

