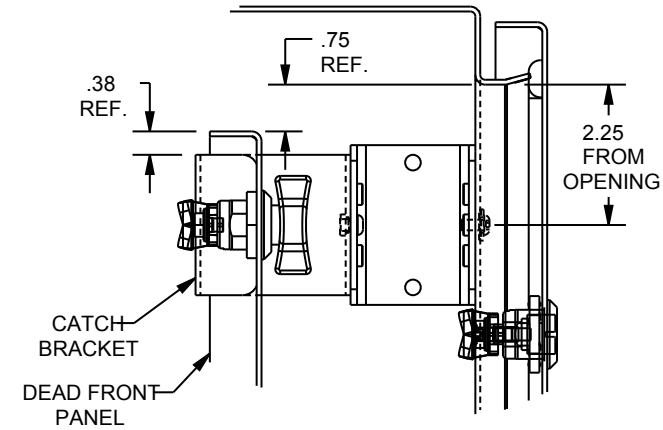
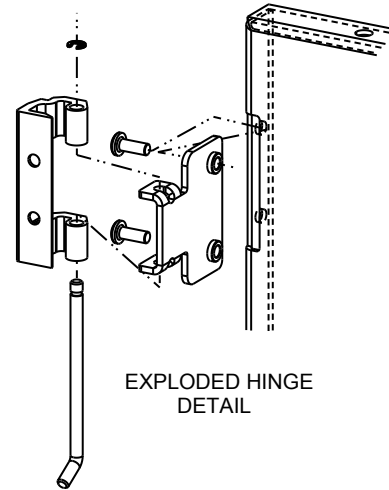
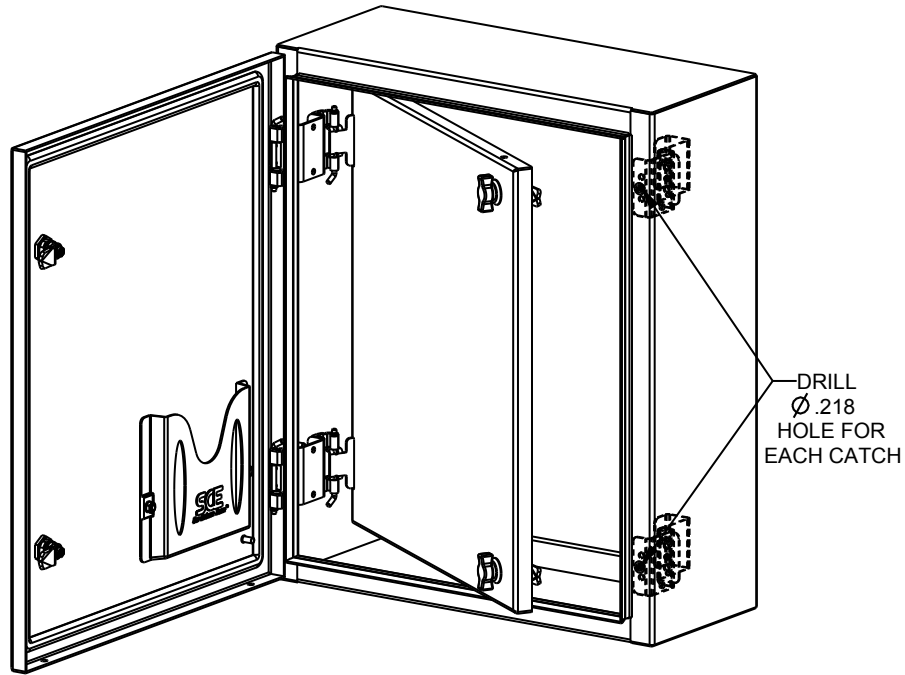
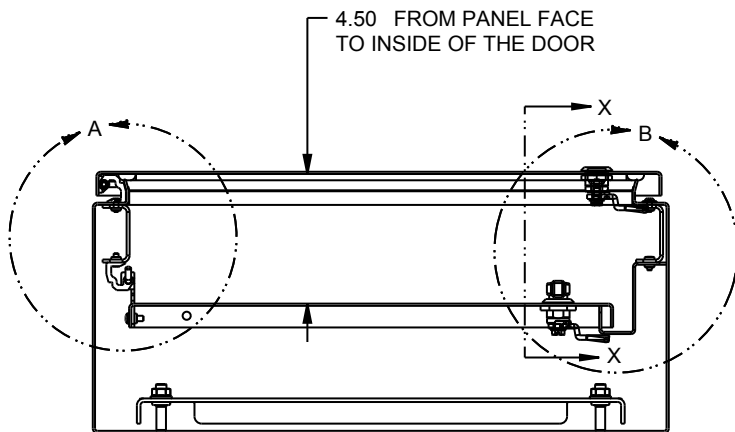


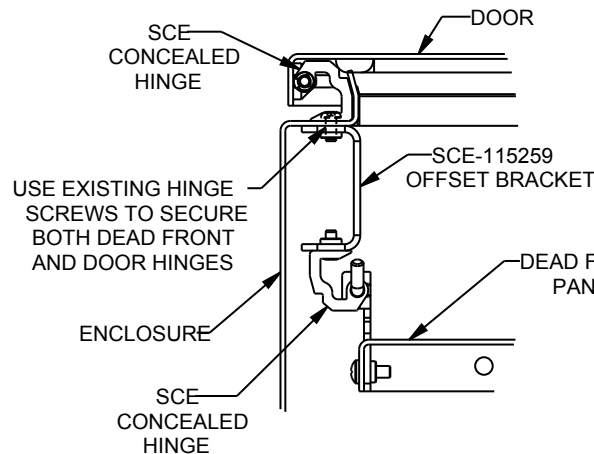
# SAGINAW CONTROL & ENGINEERING SCE-115259, INSTALLATION DEAD FRONT 2" OFFSET BRACKET



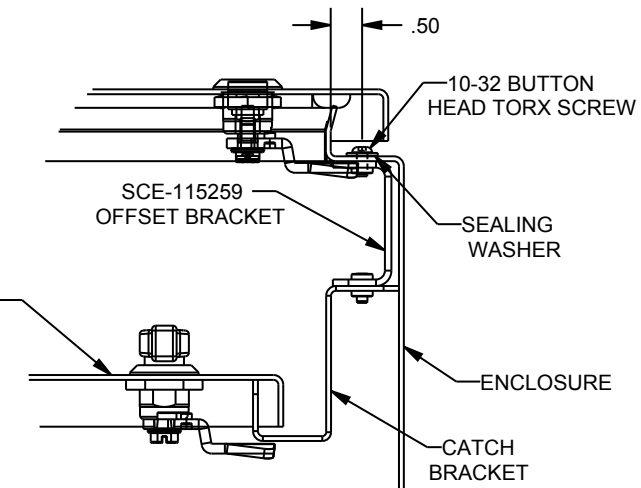
SECTION X-X



VIEW SHOWN WITH BOTTOM REMOVED



DETAIL A



DETAIL B