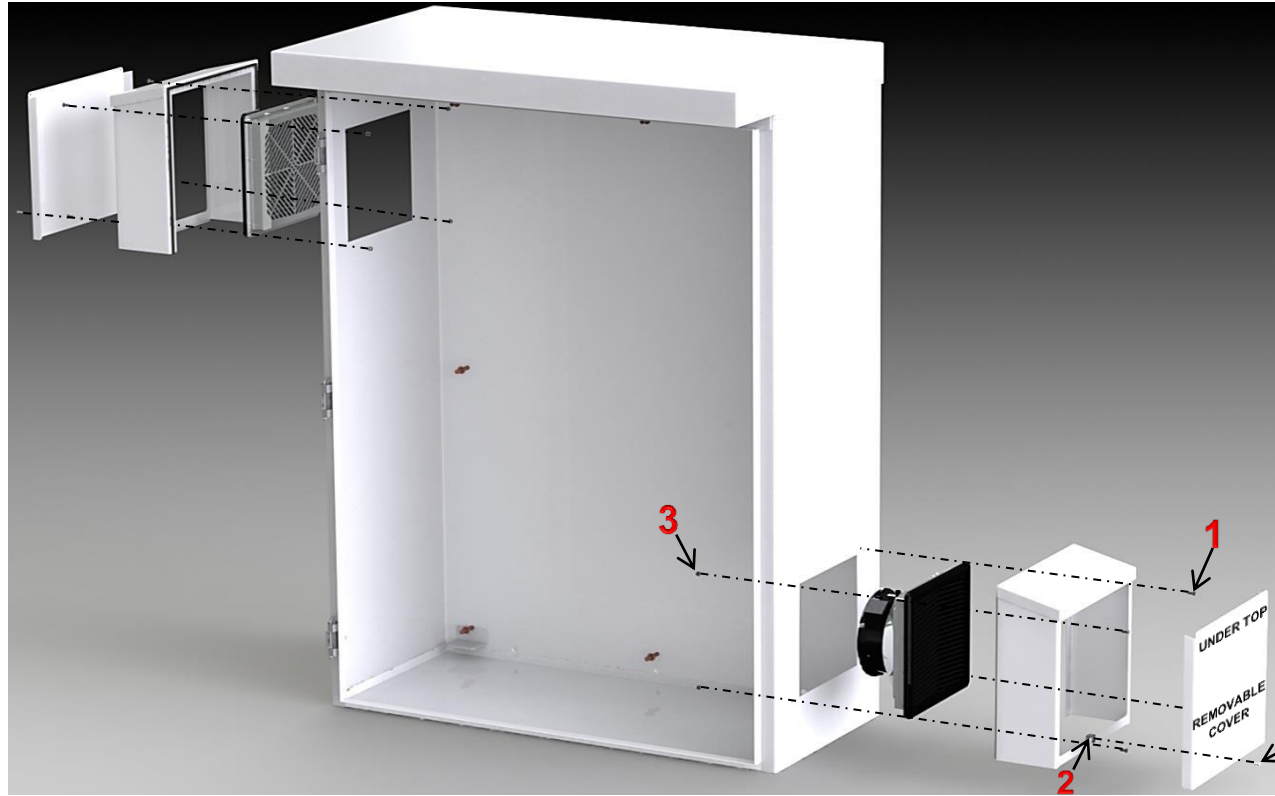


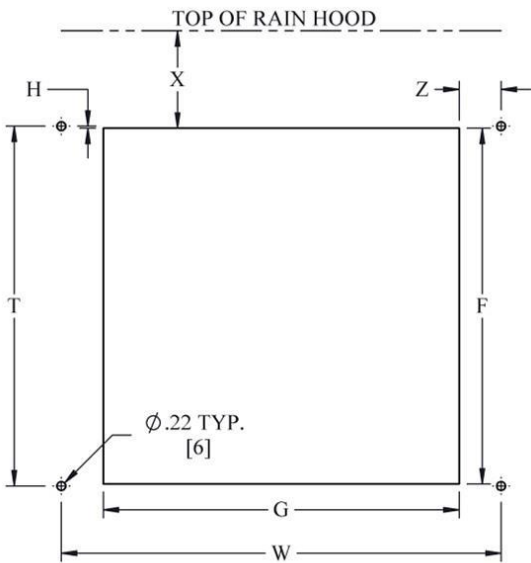
TYPE 3R RAIN HOOD WITH REMOVABLE COVER



FOR USE WITH TYPE 3R ENCLOSURES. TO PROTECT DEVICES AND VENTILATION AGAINST RAIN, SLEET, SNOW, AND DROPPING WATER OR FLUIDS FROM ENTERING INTO THE ENCLOSURE.



FASTENERS MUST BE TIGHTENED TO A MINIMUM OF 20 INCH POUNDS TO INSURE PROPER SEAL.



BOLT PACK #119557	
1	10-32 x 1/2" PAN HEAD PHILLIPS SCREW
2	10-32 G-STYLE CLIP NUT
3	10-32 KEPS NUT
4	10-32 x 3/8" BUTTON HEAD TORX



DO NOT SEAM GASKET CORNERS

START APPLYING GASKET HERE IN ONE CONTINUOUS STRIP BENDING AROUND CORNERS

RAIN HOOD PART NUMBER	COINCIDING FAN & FILTER	F	G	H	T	W	X	Z
SCE-RH4N12	SCE-N12FA44	5.03	5.03	0.02	5.00	7.00	2.44	0.99
SCE-RH4N12SS	SCE-N12FGA44	[128]	[128]	[1]	[127]	[178]	[62]	[25]
SCE-RH6N12	SCE-N12FA66	8.91	8.91	0.05	9.00	11.00	2.44	1.05
SCE-RH6N12SS	SCE-N12FGA66	[226]	[226]	[1]	[229]	[279]	[62]	[27]
SCE-RH10N12	SCE-N12FA1010	11.57	11.57	0.22	12.00	14.00	2.46	1.22
SCE-RH10N12SS	SCE-N12FGA1010	[294]	[294]	[6]	[305]	[356]	[63]	[31]