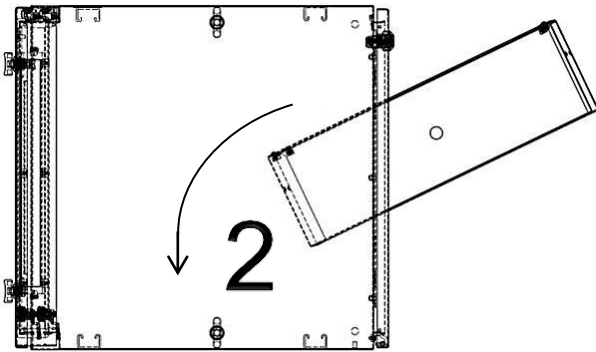


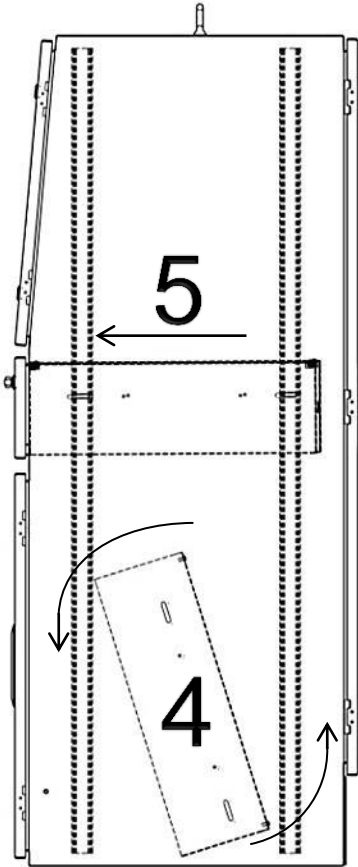
SCE-KBH, SCE-KBH32 KEYBOARD HOUSING

INSTALLATION INSTRUCTIONS:

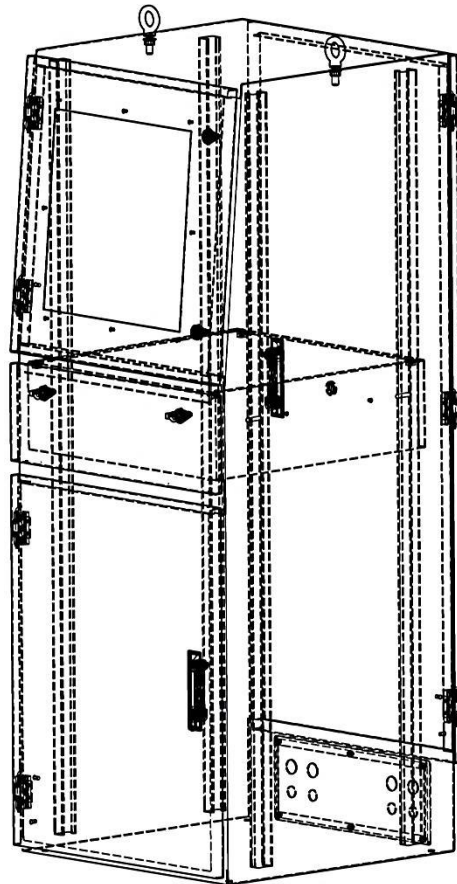


TOP VIEW

1. REMOVE KEYBOARD SHELF FROM WORKSTATION.
2. STAND THE HOUSING BODY UP IN A VERTICAL POSITION WITH THE KEYBOARD OPENING TO THE TOP AND INSERT THROUGH THE REAR DOOR OPENING.
3. ROTATE THE HOUSING BODY TO THE HORIZONTAL POSITION BETWEEN THE CHANNELS.
4. TILT THE HOUSING BODY TO THE HORIZONTAL POSITION BETWEEN THE CHANNELS AND ALIGN THE HOUSING BODY WITH THE KEYBOARD OPENING IN THE WORKSTATION.
5. PLACE KEYBOARD SHELF INSIDE HOUSING BODY, RE-ATTACH TO CHANNEL THROUGH THE HOUSING. ENSURE THE HOUSING BODY IS FIRMLY PRESSED AGAINST THE KEYBOARD OPENING.
6. ATTACH HOUSING COVER USING SUPPLIED CAGE NUTS AND SCREWS.

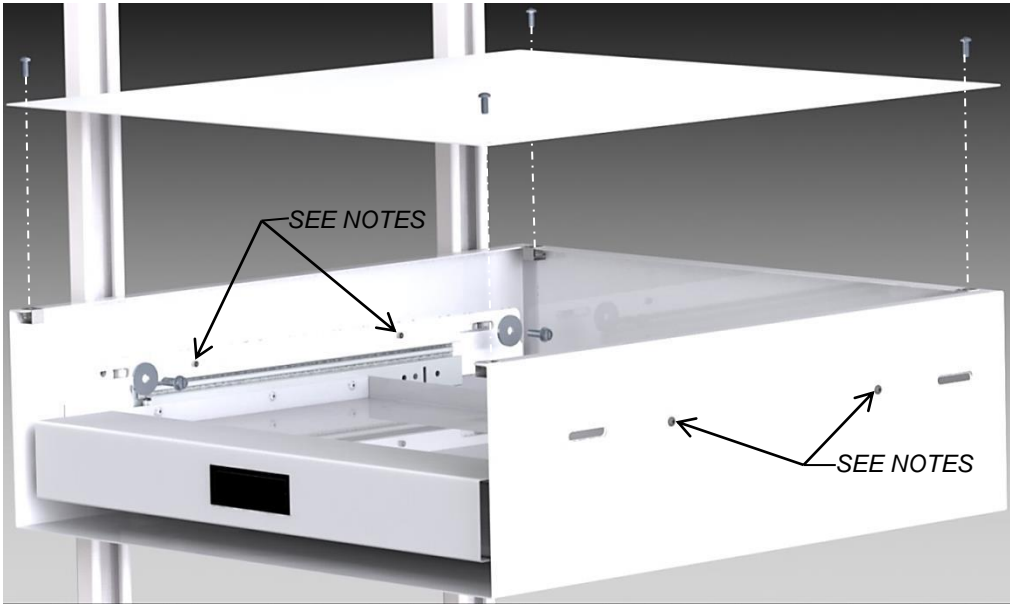
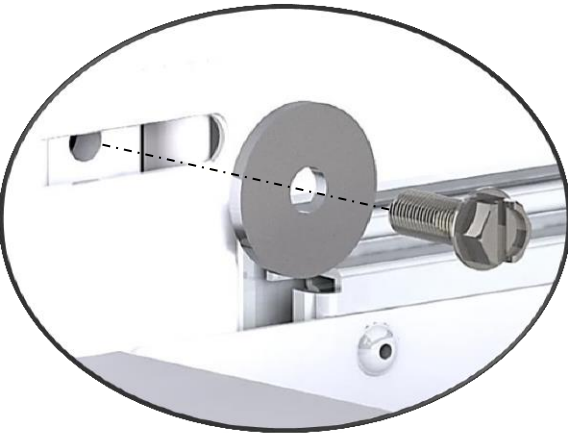


RIGHT SIDE VIEW



ISO VIEW

SCE-KBH, SCE-KBH32 KEYBOARD HOUSING



NOTE: THE KEYBOARD SHELF CAN BE SECURED TO HOUSING WITH SUPPLIED RIVETS PRIOR TO INSTALLING THE HOUSING BODY FOR EASIER INSTALLATION.

NOTE: THIS HOUSING IS NOT DESIGNED TO BE USED AS A SHELF.

