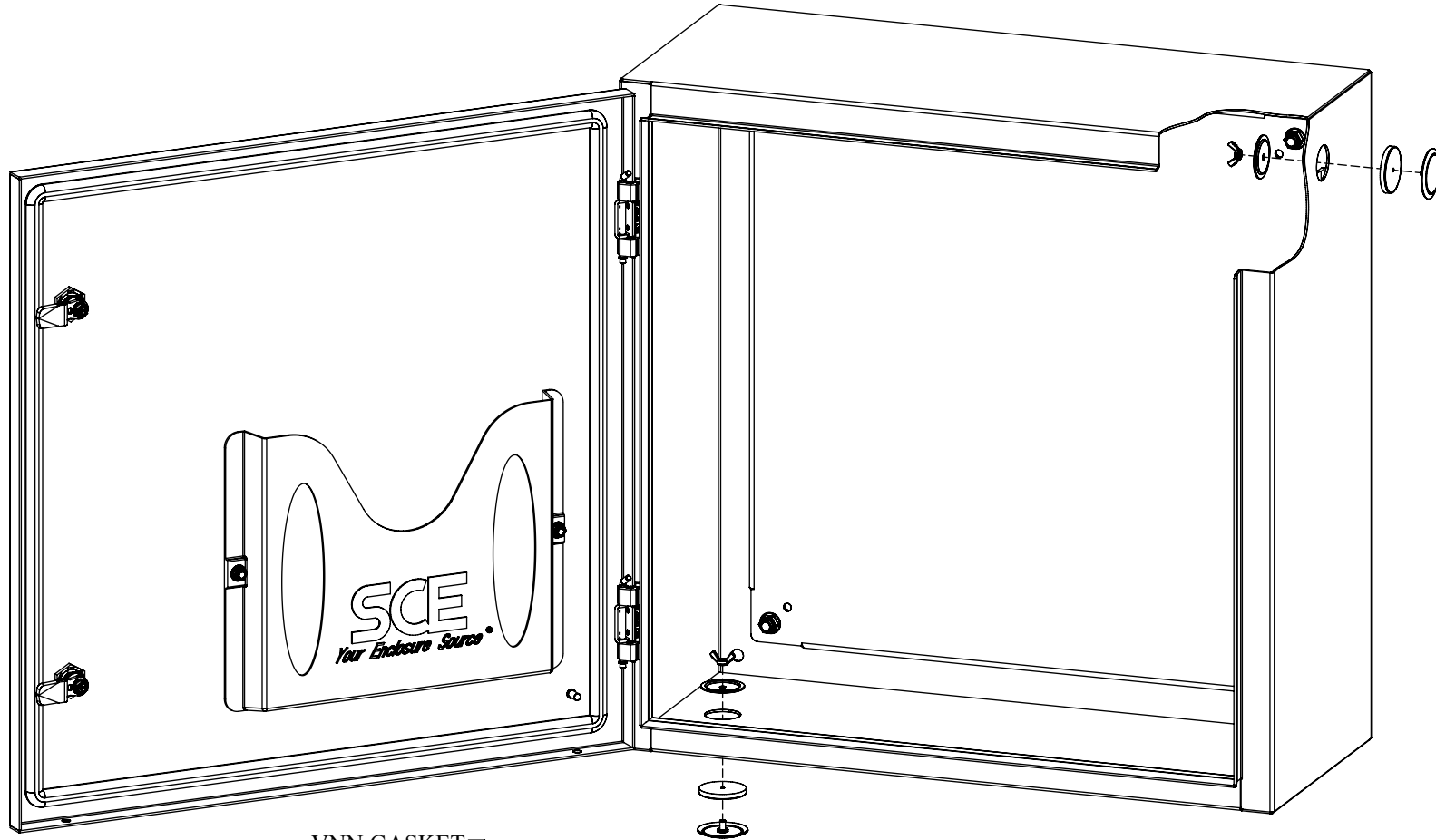


STEEL & STAINLESS STEEL HOLE SEALS

FOR USE ON ENCLOSURES
RATED TYPE 1, 3, 3R, 3S, 4, 4X & 12



VNN GASKET

10-32 WING NUT

FOR HOLE SIZE RANGE
0.201" DIA. TO 3.00" DIA.

FACE PLATE

BACKING PLATE



SAGINAW CONTROL & ENGINEERING

95 MIDLAND RD.
SAGINAW, MICHIGAN 48638

DESCRIPTION:

STEEL & STAINLESS STEEL HOLE SEALS

INSTALLATION	SIZE A	DWG. NO. instman-sce-asxxx	REV
DATE 05/02/2016	DO NOT SCALE DRAWING		SHEET 1 OF 1