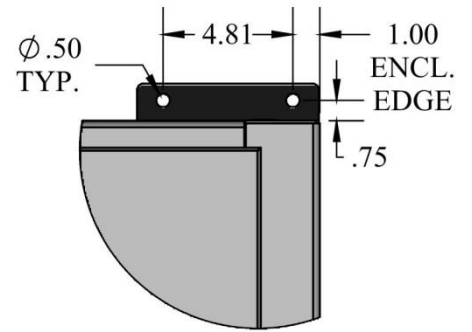
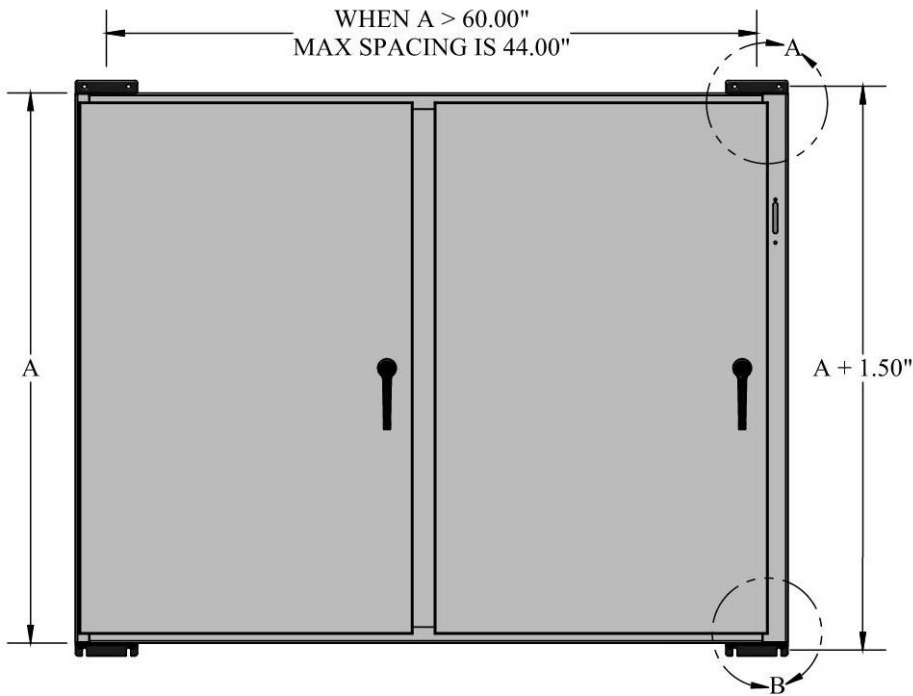
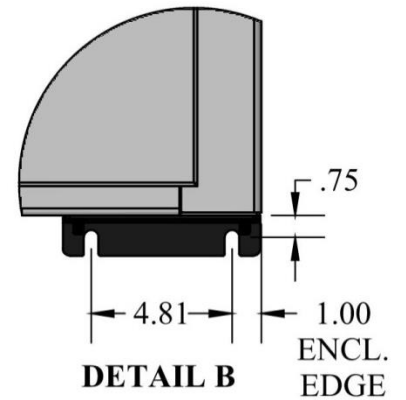


# HEAVY DUTY WALL MOUNT KIT INSTALLATION



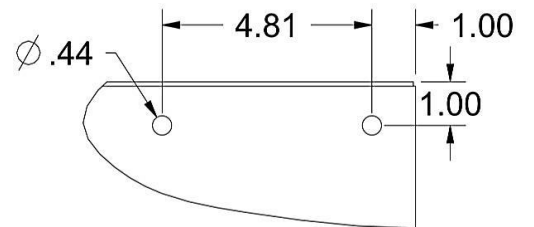
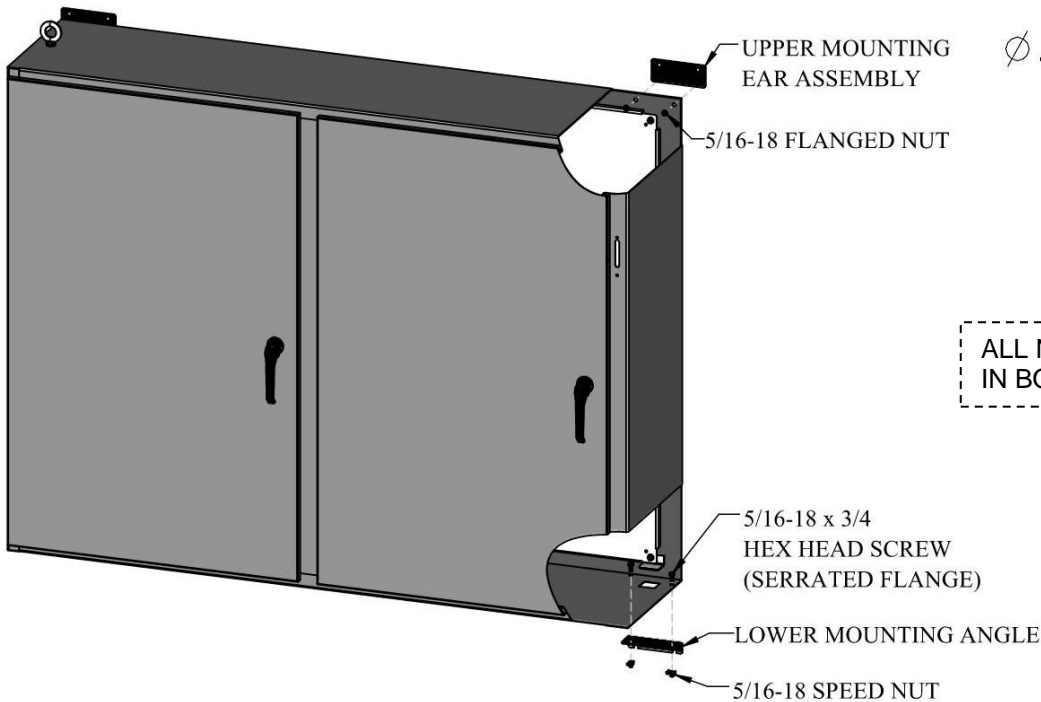
DETAIL A



DETAIL B

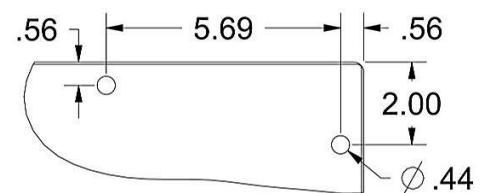
UPPER MOUNTING EAR IS LOCATED ON THE BACK OF THE ENCLOSURE.

THE LOWER MOUNTING ANGLE IS LOCATED ON THE BOTTOM OF THE ENCLOSURE.



TOP CORNER DRILL PATTERN

ALL NECESSARY HARDWARE INCLUDED IN BOLT PACK WITH WALL MOUNT KIT.



BOTTOM DRILL PATTERN  
(USE EXISTING LEG KIT HOLES)