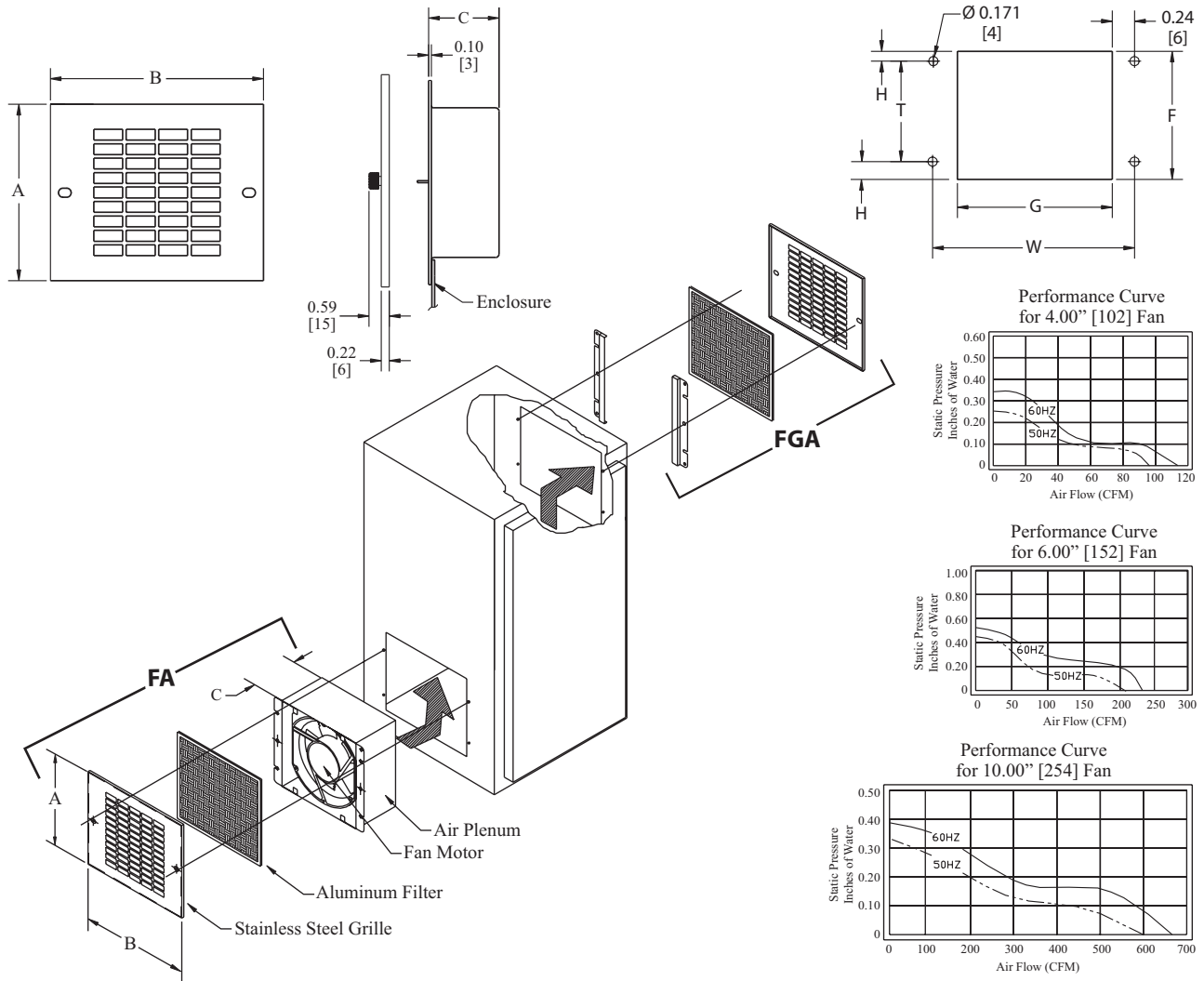


# Fan Packages



## Fan Packages (Includes Fan, Grille, and Filter)

Catalog Number	CFM 50/60 Hz	Watts	Voltage	Hz	Line Amps	Motor RPM	Service Temp °F (°C)	Noise SIL (dB)	Weight lb. (kg.)
SCE-FA44	63/75	23/20	115 V	50/60	0.19	2600/3000	140 (60)	41/44 dB	4.20 (1.90)
SCE-FA66	135/158	47/41	115 V	50/60	0.25	2700/3000	140 (60)	51/55 dB	5.30 (2.40)
SCE-FA1010	400/440	72/75	115 V	50/60	0.63	1400/1650	140 (60)	52/55 dB	12.00 (5.40)
SCE-FA44-230	63/75	23/20	220/230 V	50/60	0.09	2600/3000	140 (60)	41/44 dB	4.20 (1.90)
SCE-FA66-230	135/158	47/41	220/230 V	50/60	0.12	2700/3000	140 (60)	51/55 dB	5.30 (2.40)
SCE-FA1010-230	400/440	72/75	220/230 V	50/60	0.31	1400/1650	140 (60)	52/55 dB	12.00 (5.40)
SCE-FA66-24VDC	155	24	24 VDC	-	0.98	3300	140 (60)	52 dB	5.30 (2.40)
SCE-FA1010-24VDC	425	24	24 VDC	-	0.97	2000	140 (60)	47 dB	12.00 (5.40)

Life Expectance - 70,000 Hours minimum @ 25°C

Operating Temperature -10°C ~ +65°C / 66%

## Exhaust Grille and Filter Packages

Catalog Number	Grille Size	Filter Size	Cutout F x G
SCE-FGA44	6.11 x 7.38 [155] x [187]	5.42 Square	5.66 x 5.91 [144] x [150]
SCE-FGA66	7.61 x 8.88 [193] x [225]	6.92 Square	7.16 x 7.41 [182] x [188]
SCE-FGA1010	11.62 x 13.00 [295] x [330]	10.92 Square	11.16 x 11.41 [283] x [290]

## Dimensions for Cutout

Catalog Number	Dimensions A x B x C	F	G	H	T	W
SCE-FA44	6.11 x 7.38 x 3.28	5.66	5.91	0.77	4.12	6.38
SCE-FGA44	[155] x [187] x [83]	[144]	[150]	[20]	[105]	[162]
SCE-FA66	7.61 x 8.88 x 3.75	7.16	7.41	1.33	4.50	7.88
SCE-FGA66	[193] x [225] x [95]	[182]	[188]	[34]	[114]	[200]
SCE-FA1010	11.62 x 13.00 x 5.25	11.16	11.41	2.14	6.88	11.88
SCE-FGA1010	[295] x [330] x [133]	[283]	[290]	[54]	[175]	[302]