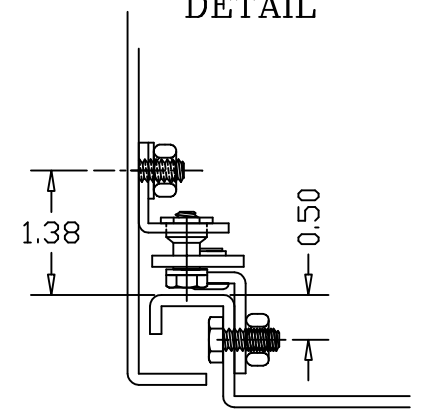
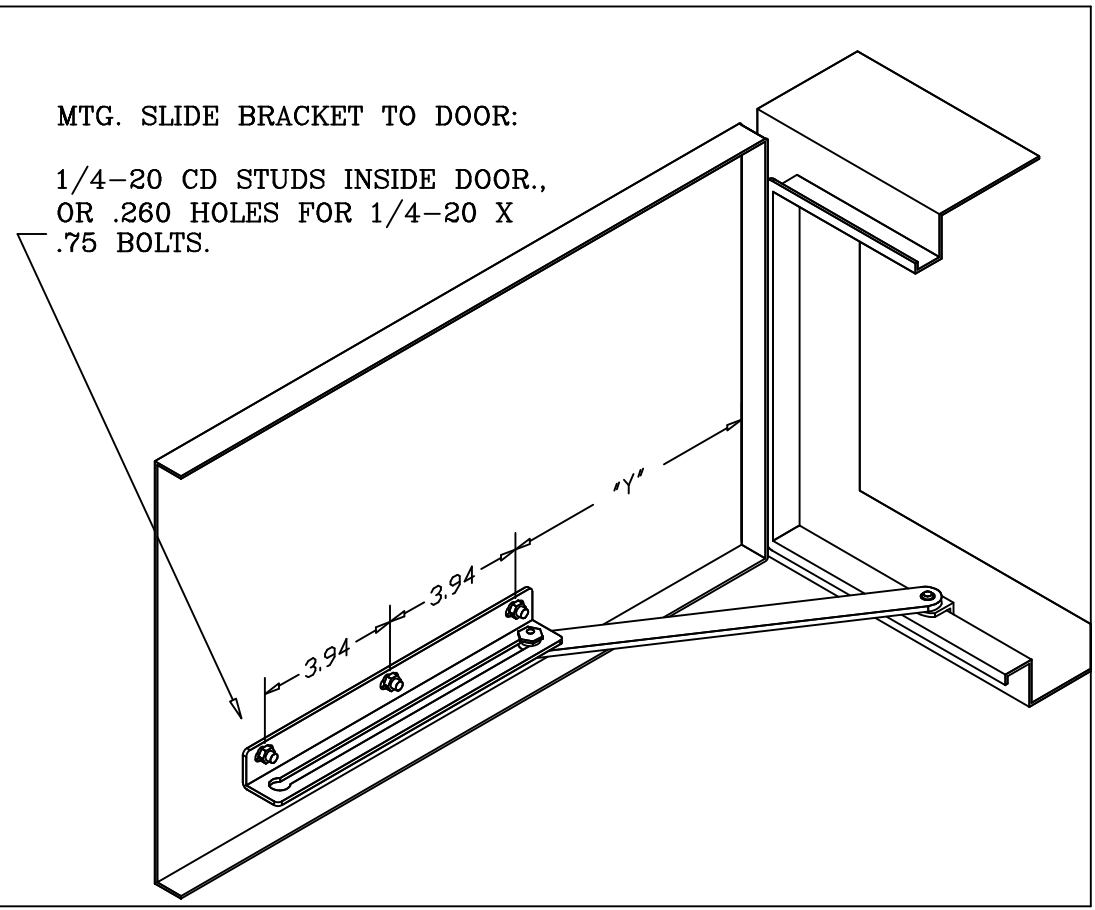


SIDE SECTION DETAIL



MTG. SLIDE BRACKET TO DOOR:

1/4-20 CD STUDS INSIDE DOOR.,
OR .260 HOLES FOR 1/4-20 X
.75 BOLTS.

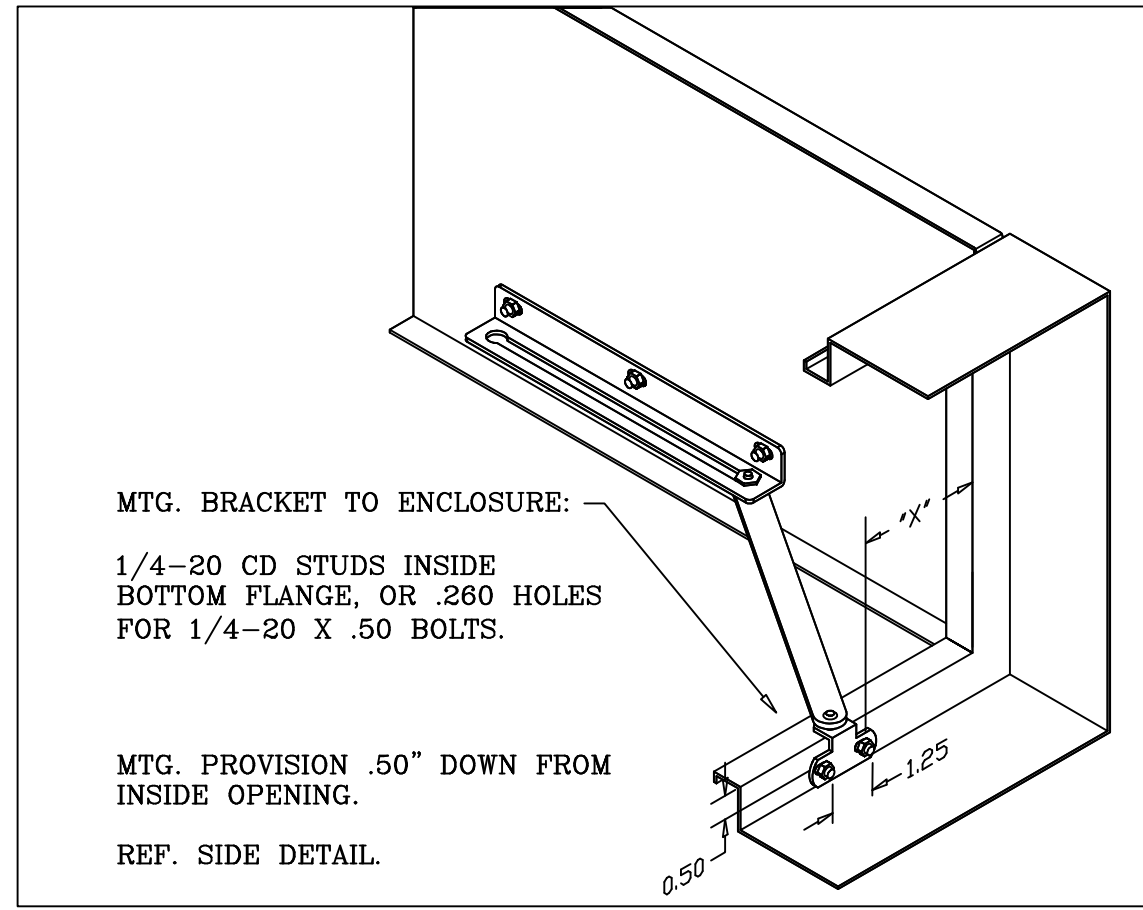


MTG. BRACKET TO ENCLOSURE:

1/4-20 CD STUDS INSIDE
BOTTOM FLANGE, OR .260 HOLES
FOR 1/4-20 X .50 BOLTS.

MTG. PROVISION .50" DOWN FROM
INSIDE OPENING.

REF. SIDE DETAIL.



REV.	DWG. MARK	DESCRIPTION	DATE	BY
Ⓒ	X.X	Changed "Y" to center of stud from door I.D.	06-03-14	DEP
Ⓕ	X.X	Changed side section detail dim to 1.38	04-08-11	DEP
Ⓔ	X.X	CORRECTED DIMENSIONS FOR 14GA EL STYLE	17 SEP 09	DEP
Ⓓ	X.X	CORRECTED DIMENSION, 0.498 IS NOW 0.563	21 JUL 09	DEP
Ⓒ	X.X	CHANGED ALL MOUNTING DIMENSIONS	09 JUL 09	DEP
Ⓑ	X.X	MOVED DIM. LINE	15 APL 03	JC
Ⓐ	X.X	ADDED CHARTS	29 OCT 02	JC

REV. DWG. MARK COORD. REVISION DATE BY

SCE SAGINAW CONTROL AND ENGINEERING
95 MIDLAND ROAD
SAGINAW, MICHIGAN 48603
PHONE 517-799-6871
FAX 517-799-4524

TITLE: SCE-DOOR STOP KIT (WIND STOP)

SCALE:	DATE:	DRAWN BY:	CHECKED BY:	APPROVED BY:
	13 JAN 97	JC	RZ	RZ

DWG.NO. DOORSTOP