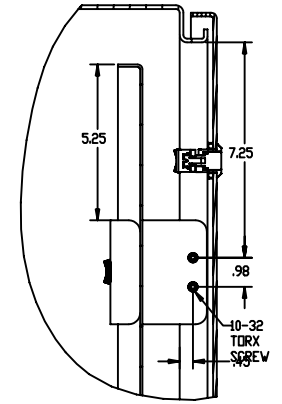
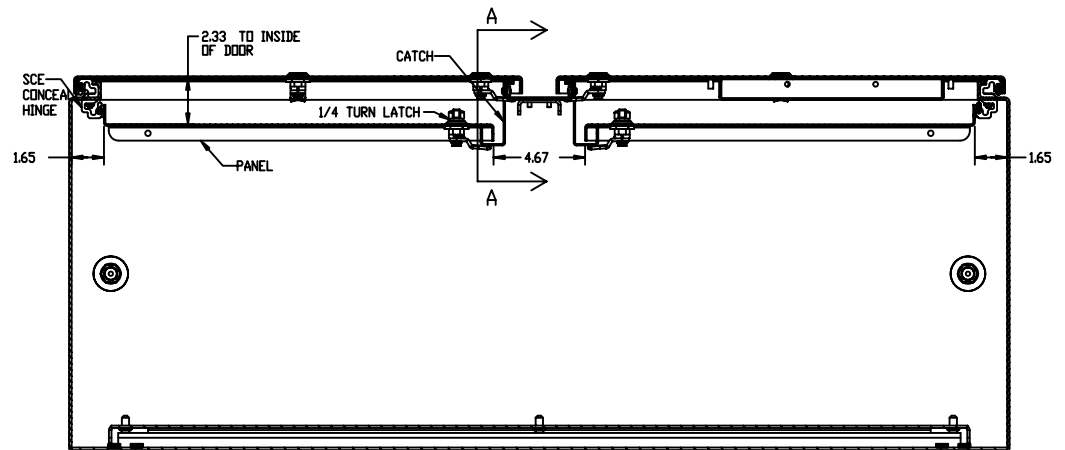


NOTE:

1. PANEL SWINGS 115 DEGREES.
2. CONSTRUCTED OF .078 H.R.S.
3. BOLTS IN BEHIND EXISTING CONCEALED HINGE AND REQUIRES FOUR ADDITIONAL .250 DIA HOLES.



SECTION A-A



**SAGINAW CONTROL AND ENGINEERING**  
 95 Midland Road  
 Saginaw, Michigan 48638  
 Phone: (989) 799-6871  
 Fax: (989) 799-4524  
 E-Mail: sce@saginawcontrol.com

PART# SCE-DEAD FRONT 2 door