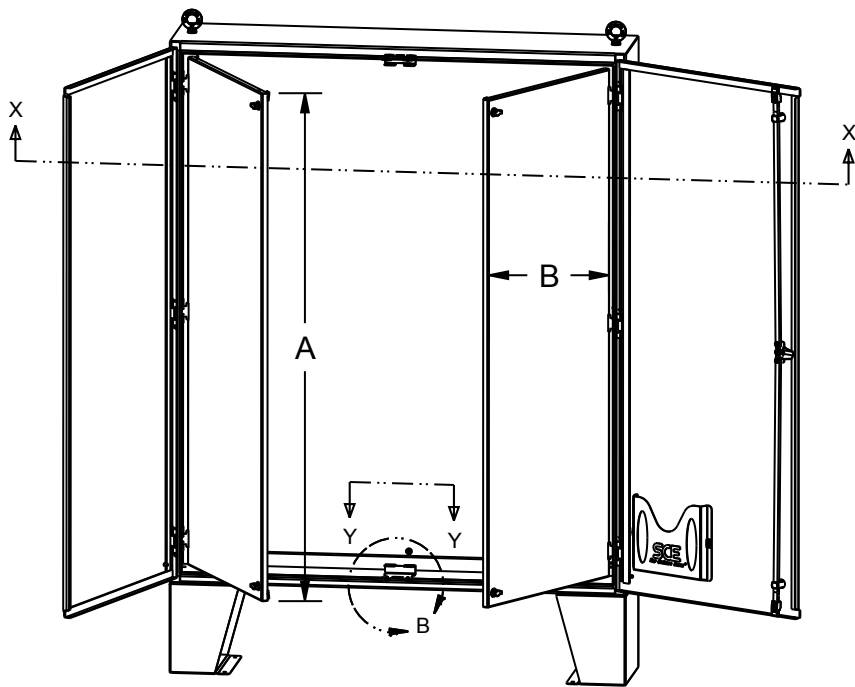
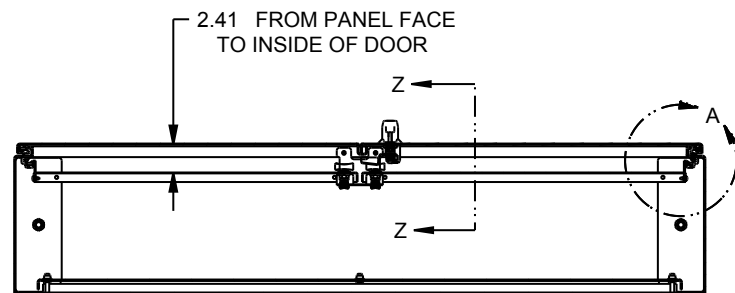
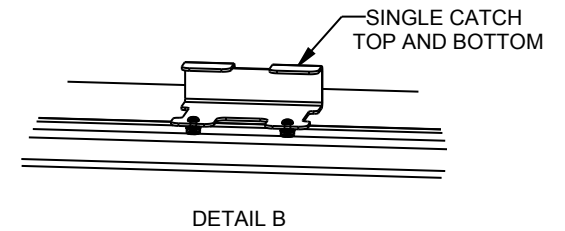
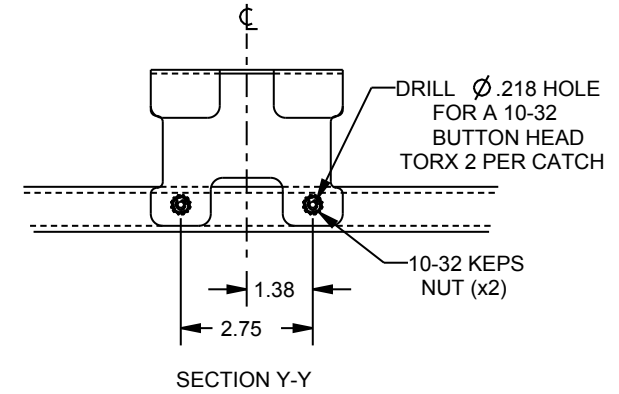
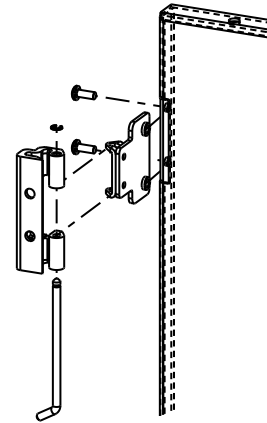


SAGINAW CONTROL & ENGINEERING DEAD FRONT, OVERLAPPING DOORS



DEAD FRONT PANEL SIZE:
 A = OPENING HEIGHT - 1.50"
 B = (OPENING WIDTH / 2) - 0.25"



VIEW SHOWN WITH THE
 DOORS & DEAD FRONTS CLOSED
 BOTTOM VIEW SECTION X-X

