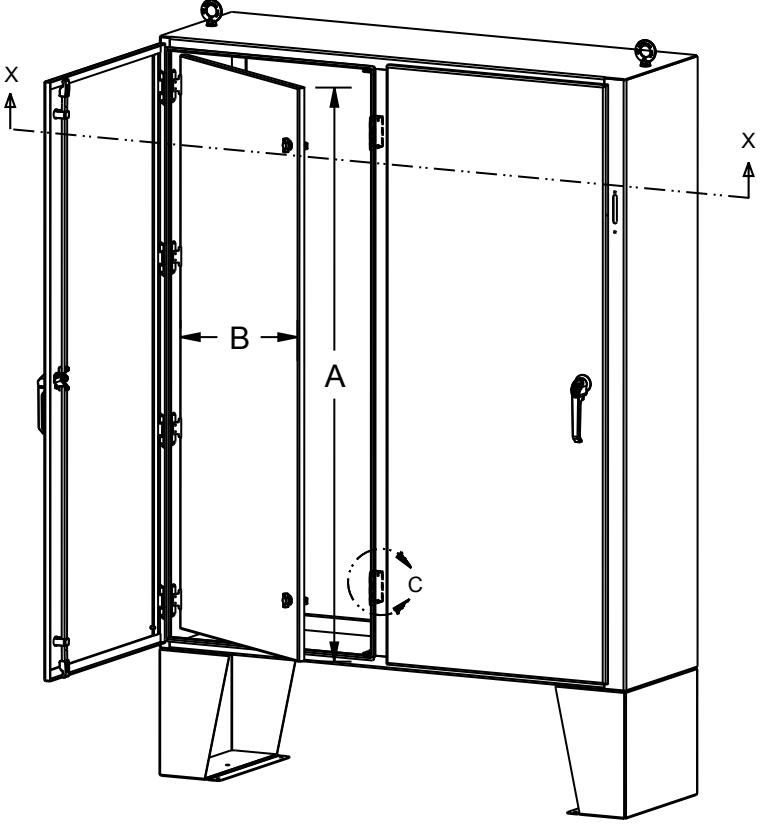
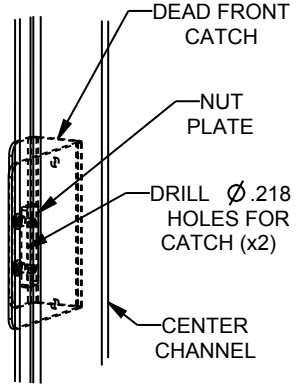
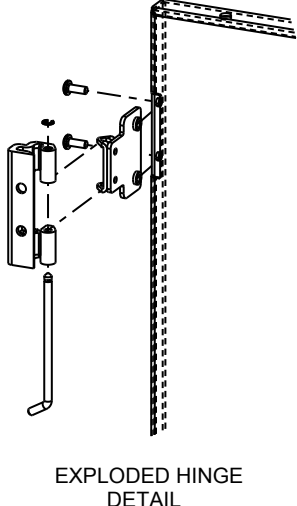


SAGINAW CONTROL & ENGINEERING DEAD FRONT, DISCONNECT, INSTALLATION

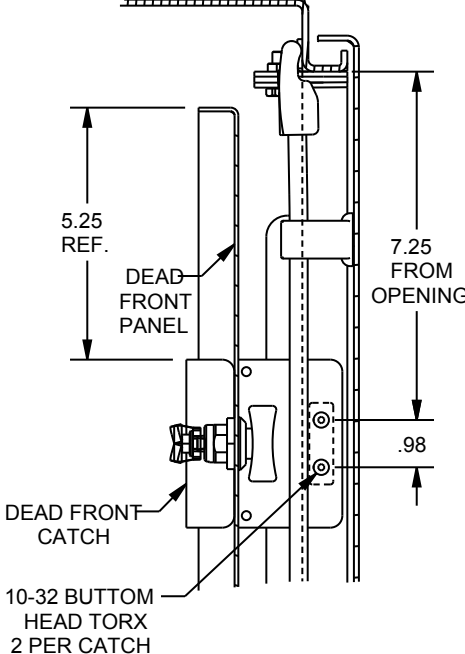


DEAD FRONT PANEL SIZE:
A = OPENING HEIGHT - 1.50"
B = OPENING WIDTH - 0.75"

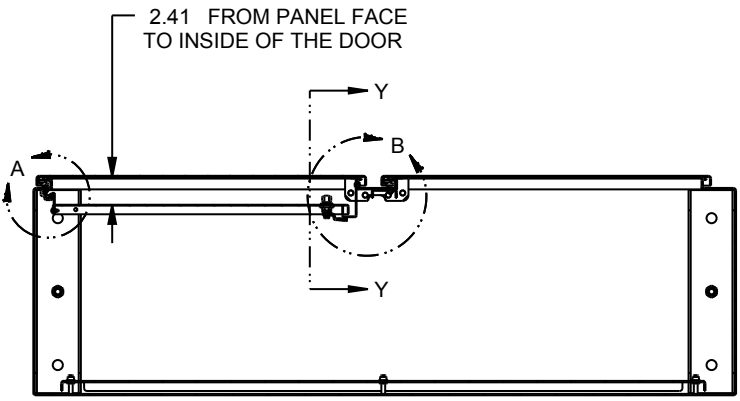
NOTE:
NOT INTENDED FOR USE IN OPENING
NEXT TO THE DISCONNECT FLANGE.



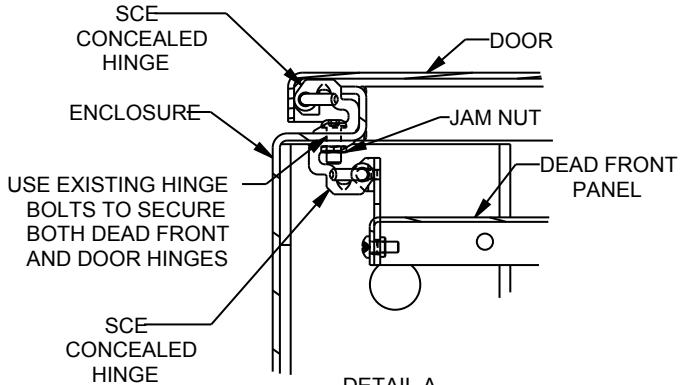
DETAIL C



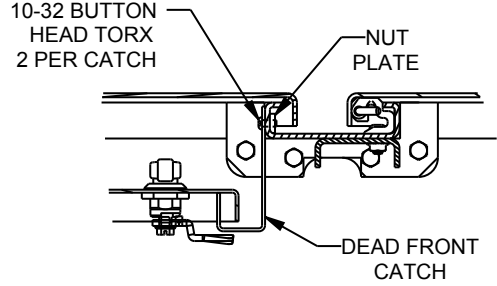
SECTION Y-Y



VIEW SHOWN WITH THE
DOORS & DEAD FRONT CLOSED
BOTTOM VIEW SECTION X-X



DETAIL A



DETAIL B