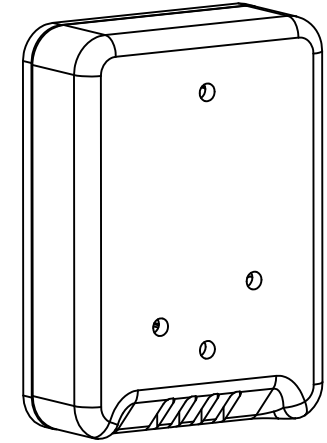
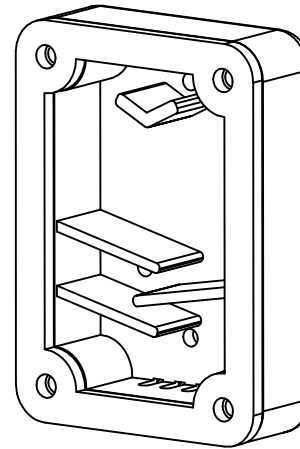
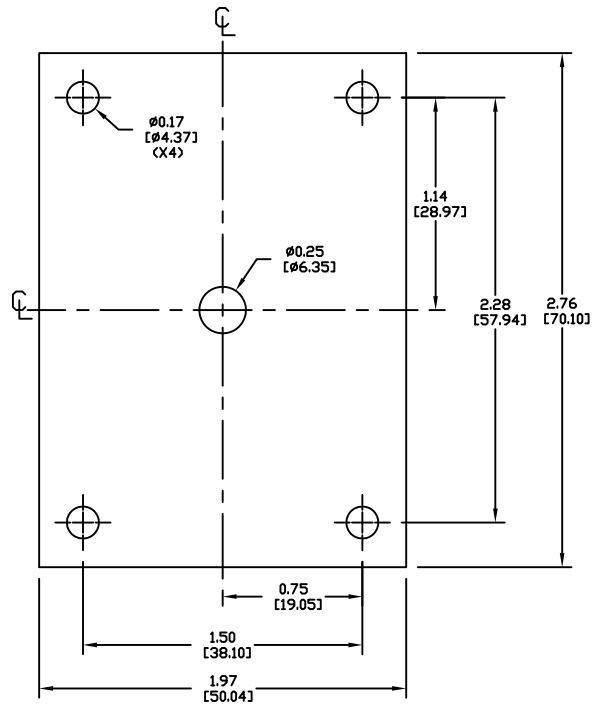


SCE-DV4XKIT

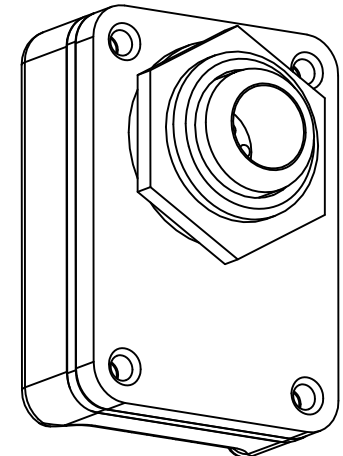
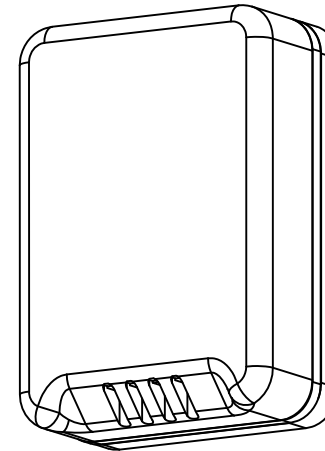
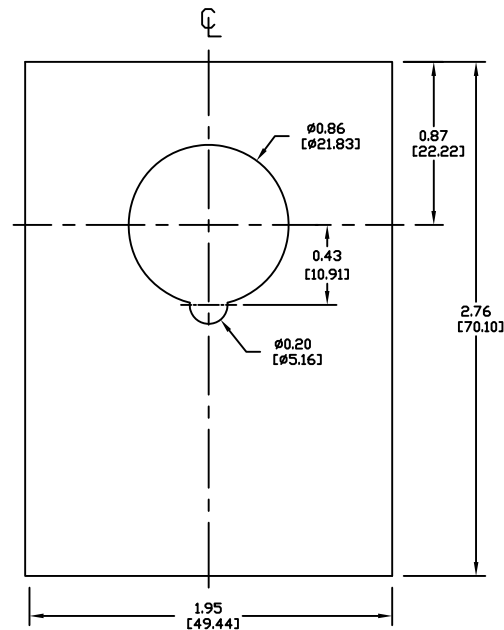
1. Drain vent should be mounted to the outside surface on or near the bottom of the enclosure.
2. Drill holes per drawing labeled SCE-DV4XKIT.
3. Enclosure surface should be clean and free of burrs and fiber pull outs.
4. Assemble to enclosure using EPDM gasket and screws that are provided.



Part I.D. 109299

SCE-BV4XKIT

1. Air vent should be mounted to the outside surface near the top of the enclosure.
2. Drill hole per drawing labeled SCE-BV4XKIT.
3. Enclosure surface should be clean and free of burrs and fiber pull outs.
4. Assemble to enclosure using round EPDM gasket and nut that is provided.



Part I.D. 109298

Drawing: SCE-VENTS.DWG



SAGINAW CONTROL AND ENGINEERING
 95 MIDLAND ROAD
 SAGINAW, MICHIGAN 48638
 PHONE 989-798-6371
 FAX 989-798-4524