

# MECHANICAL DEFEATER (SCE-MDV) CABLE OPERATED DISCONNECTS & BREAKERS.

## INSTALLATION INSTRUCTIONS

- 1). FEED THE CONNECTING ROD THROUGH THE HOLE IN THE BOTTOM OF THE MDV ROD BRKT. OR DISC. MTG. PLATE.
- 2). INSTALL THE MECHANICAL DEFEATER TO THE 1/4-20 STUD PROVIDED ON THE INNER WALL OF THE DISCONNECT SIDE OF THE ENCLOSURE. MAKE SURE THE MECHANICAL DEFEATER IS POSITIONED SO THAT IT FITS TIGHT INTO THE CORNER OF THE FLANGE, AND IT IS ALIGNED WITH THE CENTER OR THE DOOR CAM.
- 3). INSTALL ITEM "A" ON THE CONNECTING ROD.
- 4). POSITION ITEM "A" SO THERE IS APPROXIMATELY 1/4" BETWEEN THE DISCONNECT DEFEATER AND THE INSIDE OF ITEM "A", (SEE FIGURE 1) ADJUST BY SLIDING ROD ON SHAFT SLEEVE ITEM "B". INSTALL SHAFT COLLAR ON ROD & TIGHTEN SET SCREW.
- 5). REMOVE THE EXCESS CONNECTING ROD ABOVE THE TOP OF ITEM "B" WITH WIRE CUTTERS, LEAVING APPROXIMATELY 1/2" FOR ADDITIONAL ADJUSTMENTS IF REQUIRED.
- 6). INSTALL THE DEFEATER HOOK ON THE DOOR AS SHOWN IN FIGURE 2.
- 7). TEST THE MECHANICAL DEFEATER BY TRYING TO TURN THE DISCONNECT OPERATOR HANDLE TO THE ON POSITION. THE OPERATOR HANDLE SHOULD NOT BE ALLOWED TO TURN ON UNTIL THE DOOR IS CLOSED AND HANDLE IS IN THE LATCHED POSITION.

### REQUIRED FOR DISCONNECT ENCLOSURES 50 VOLTS OR MORE.

THE DOOR HANDLE MUST BE IN FULLY LATCHED POSITION BEFORE DISCONNECT CAN BE TURNED TO THE ON POSITION. EFFECTIVE APRIL 25 2003

UL 508A INDUSTRIAL CONTROL PANELS, PAGE 119 SECTION 66.1.5

"A DOOR OF AN ENCLOSURE THAT GIVES ACCESS TO UN-INSULATED LIVE PARTS OPERATING AT 50 VOLTS OR MORE SHALL BE INTERLOCKED WITH THE DISCONNECTION MEANS SUCH THAT:"

- a) THE DOORS ARE NOT ABLE TO BE OPENED UNLESS POWER IS DISCONNECTED;
- b) THE DISCONNECTING MEANS IS NOT CLOSEABLE WITH THE ENCLOSURE DOOR OPEN, UNLESS AN INTERLOCK IS OPERATED BY DELIBERATE ACTION; AND
- c) THE DISCONNECTING MEANS IS NOT CLOSEABLE WITH THE DOOR IN THE INITIAL LATCH POSITION OR UNTIL THE DOOR CLOSING HARDWARE IS FULLY LATCHED.

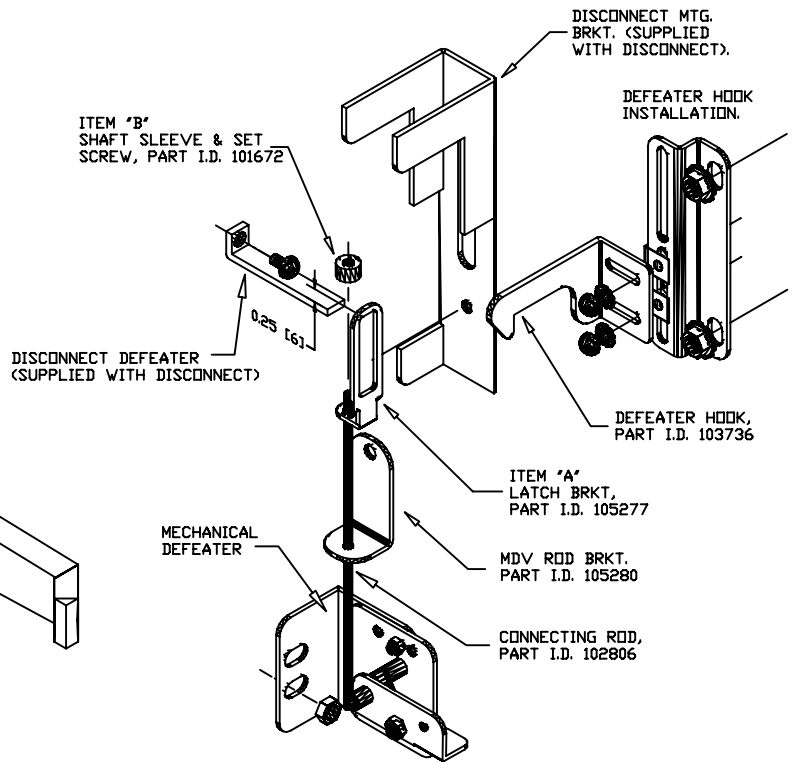
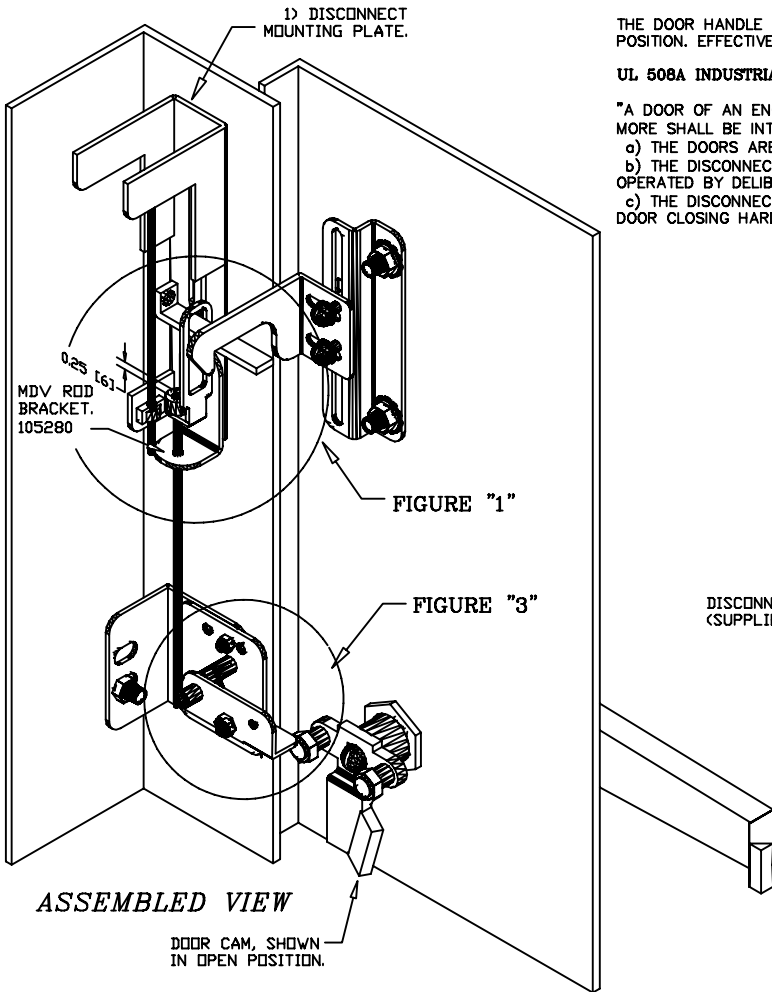


FIGURE "1"

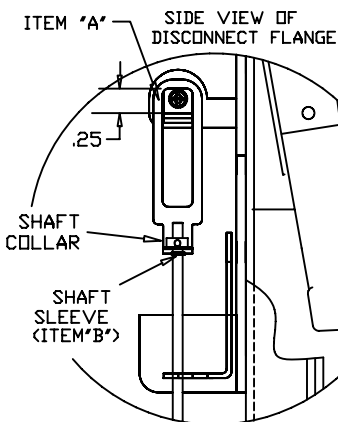


FIGURE "3"

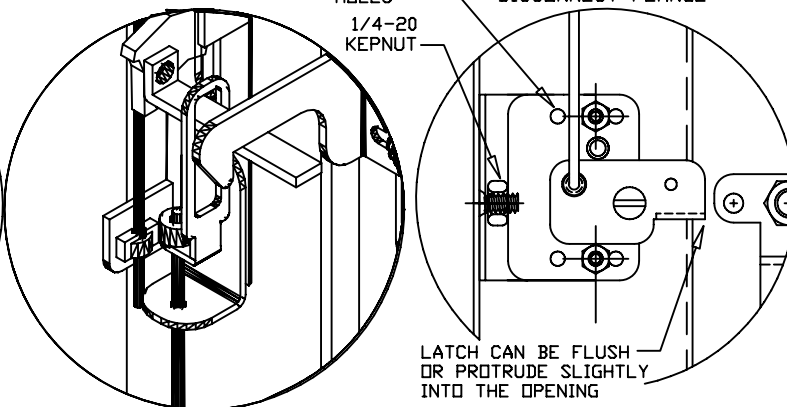


FIGURE "2"

