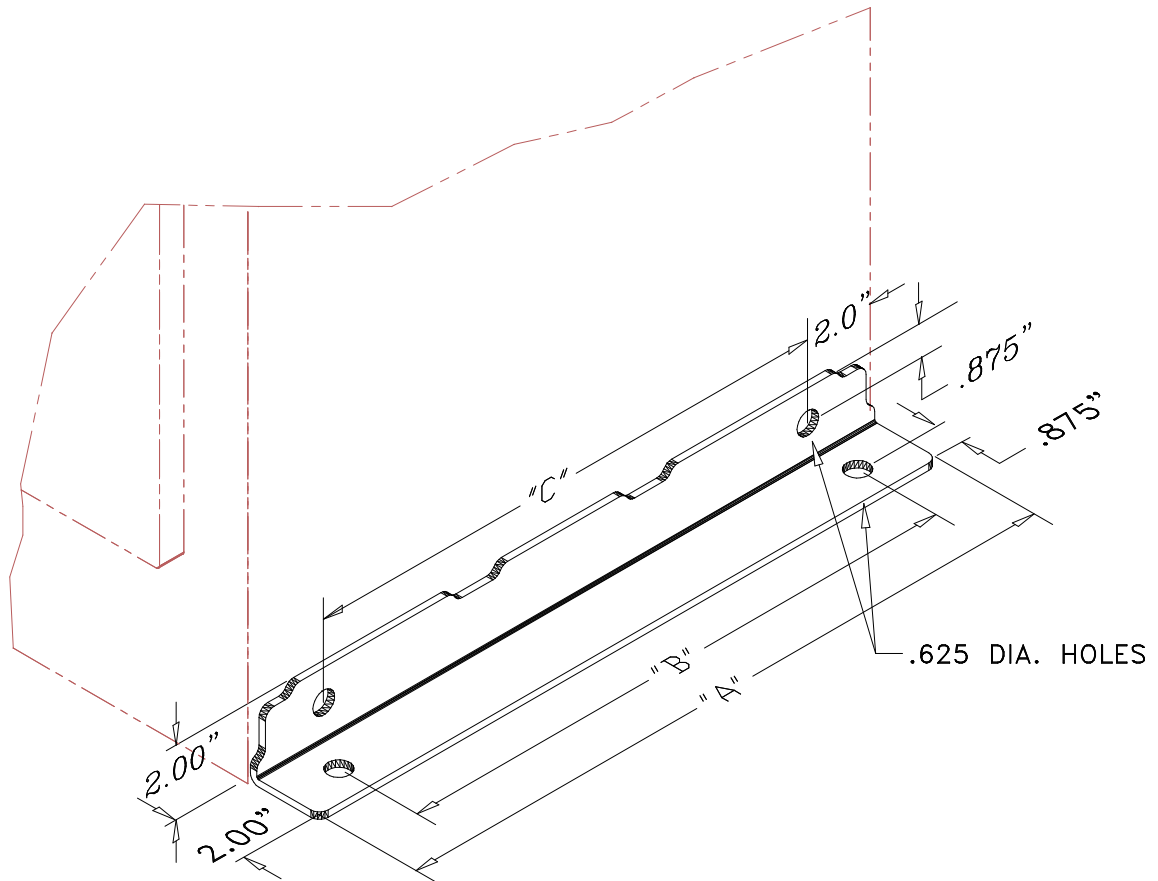


ANGLE IRON MOUNTING FEET



PART NUMBER	ENCLSOURE DEPTH	A ANGLE LENGTH	B FLOOR MTG. HOLE CENTERS	C ENCLOSURE MTG. HOLE CENTERS
SCE-AIMF-18	18.00	17.88	15.00	14.00
SCE-AIMF-20	20.00	19.88	17.00	16.00
SCE-AIMF-24	24.00	23.88	21.00	20.00

SCE-XMAIMF18
 SCE-XMAIMF20
 SCE-XMAIMF24
 KITS (SCE-XMAIMF___) INCLUDE
 2 PCS. AIMF-___
 4 PCS. 1/2-13 X 1" HEX HEAD BOLT
 4 PCS. 1/2-13 NUT
 4 PCS. 1/2" FLAT WASHER
 4 PCS. 1/2" LOCK WASHER