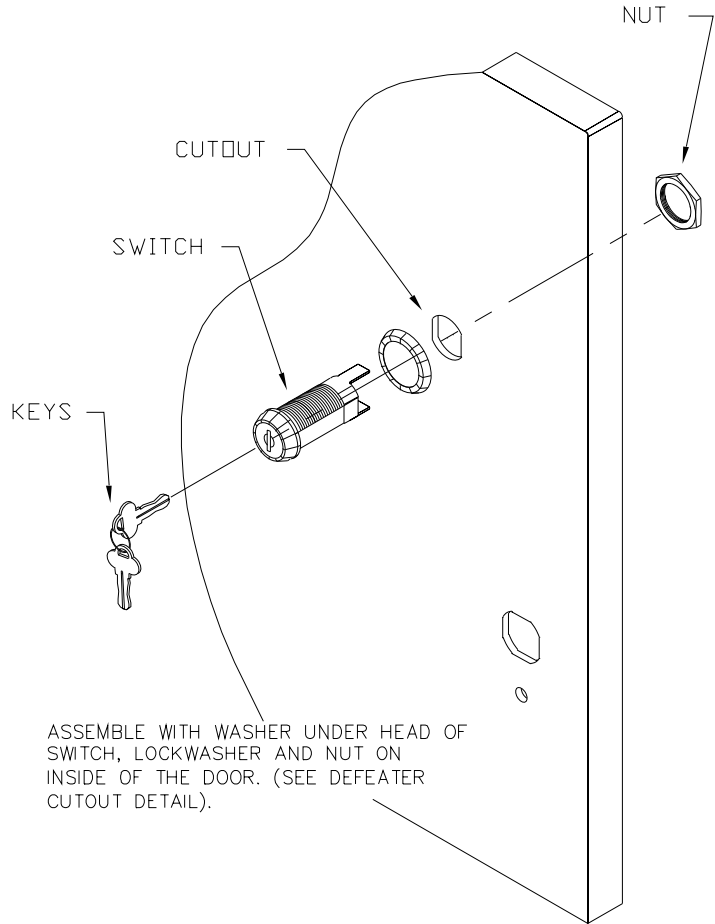


SCE ELECTRICAL INTERLOCK DEFEATER (SCE-EKDF).

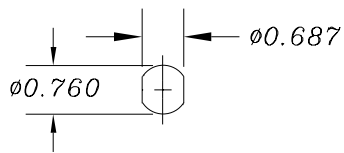
SCE-EKDF IS A KEY OPERATED
MOMENTARY SWITCH WITH CONTACTS
NORMALLY CLOSED.

THE SWITCH PROVIDES A MEANS FOR
INTERRUPTING THE CIRCUIT TO THE
ELECTRICAL INTERLOCK BY TURNING A
KEY CLOCKWISE TO OPERATE THE SWITCH.
THE ENCLOSURE DOOR CAN THEN BE
OPENED WITHOUT DISCONNECTING THE
POWER SOURCE TO THE ENCLOSURE.
6 AMP @ 120 VAC, 3 AMP @ 240 VAC
RESISTIVE



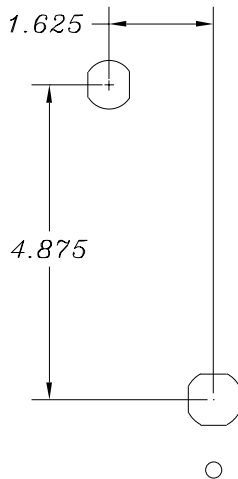
ASSEMBLE WITH WASHER UNDER HEAD OF
SWITCH, LOCKWASHER AND NUT ON
INSIDE OF THE DOOR. (SEE DEFEATER
CUTOUT DETAIL).

CUTOUT DETAIL



.760 X .687 DD KNOCK-OUT
FOR SCE-EKDF DEFEATER.

TYPICAL LOCATION



SCE-EKDF CUTOUT SHOWN
WITH HANDLE CUTOUT FOR
REFERENCE.

WIRING DIAGRAM, 120 VOLT

