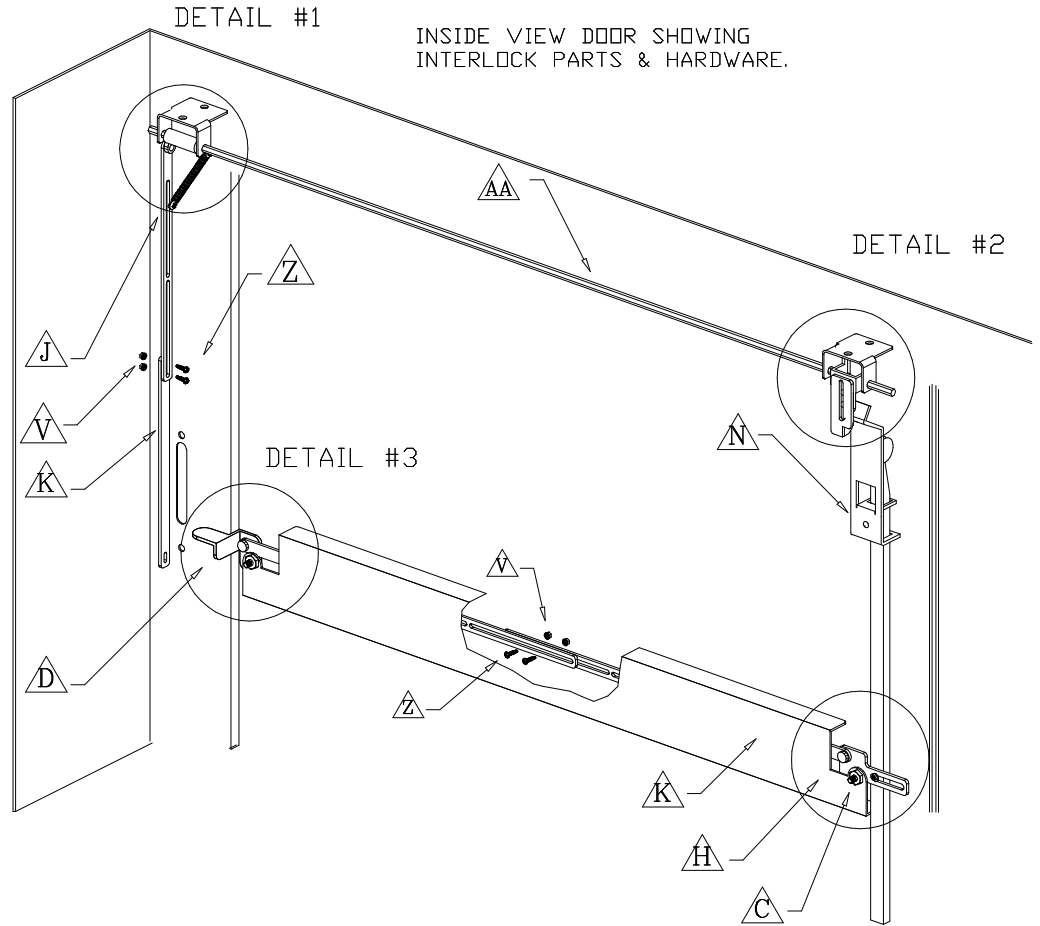
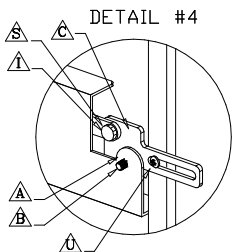
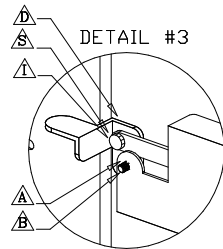
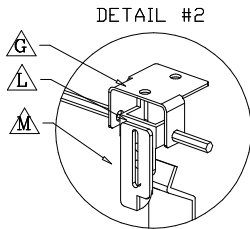
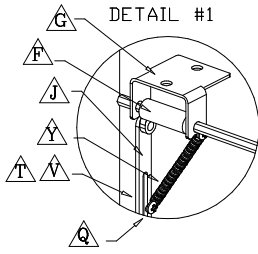


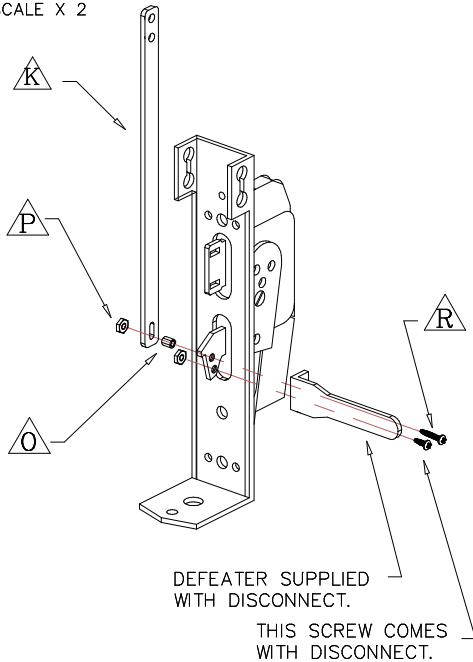
TWO DOOR OVERLAP INTERLOCK DETAILS

FLANGE MOUNTED DISCONNECT WITH OVERLAPPING DOORS.



INSIDE VIEW OF DISC. HANDLE, DEFEATER & INTERLOCK BAR.

SCALE X 2



Ⓐ	6	10-32 X 1/2 COMBO HEAD SCREWS	3596
Ⓡ	1	EXT. SPRING McMASTER CARR 9654K44	
Ⓛ	1	10-32 X 3/8" SET SCREW	
Ⓜ	1	10-32 X 1/2" SET SCREW	
Ⓥ	7	10-32 KEPS NUTS	3865
Ⓣ	2	10-32 X 3/8 COMBO HEAD SCREWS	3222
Ⓣ	1	10-32 LOCK NUT	3052
Ⓢ	3	PLASTIC BUSHINGS(FOR ITEM "I")	2345
Ⓡ	1	6-32 X 3/4 ROUND HEAD SLOTTED SCREW	3229
Ⓒ	1	10-32 X 3/4 SCREW	2312
Ⓟ	1	6-32 LOCK NUT	XXX
Ⓞ	1	SELF CLINCHING STANDOFF #SO-632-8ZI	XXX
Ⓝ	1	INTERLOCK PART FOR DOOR ROD	06857
Ⓜ	1	INTERLOCK PART	06858
Ⓛ	1	INTERLOCK PART	06856
Ⓛ	1	LOWER ROD TO CONNECT TO DISCONNECT	07203-D
Ⓣ	1	UPPER ROD TO CONNECT TO DISCONNECT	07203-E
Ⓣ	3	10-32 SHOULDERED SCREWS	2439
Ⓡ	3	ADJUSTABLE INTERLOCK STRIPS	07203-F
Ⓒ	2	INTERLOCK ROD GUIDES 02899 & 02899-B	
Ⓡ	1	INTERLOCK ROD ADAPTER	03405
Ⓡ	1	INTERLOCK PART(DOOR CHANNEL)	07203
Ⓡ	1	INTERLOCK PART	05810-C
Ⓒ	1	INTERLOCK PART	05810-B
Ⓡ	2	3/8-16 COLLAR STUDS	3024
Ⓐ	4	3/8-16 JAM NUTS(FASTENAL)	36206

MARK QTY. DESCRIPTION PART NO. DWG NO.

BILL of MATERIAL

Made in the U.S.A. 104