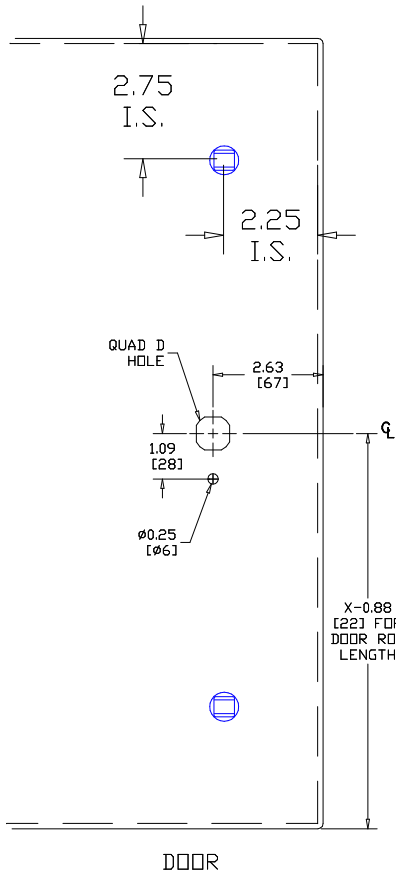


SCE PADLOCK HANDLE



INSTALLATION OF SCE DOOR HARDWARE ON STANDARD ENCLOSURES THAT DO NOT HAVE HANDLES OR PROVISIONS FOR HANDLES.

PURCHASE ONE OF THE HANDLES LISTED BELOW.

- SCE-PH5 5.00 [127] PADLOCKABLE HANDLE
- SCE-PCH5 5.00 [127] PADLOCKABLE COIN-PROOF HANDLE
- SCE-PKH5 5.00 [127] PADLOCKABLE AND KEY-LOCKING HANDLE

- SCE-PH7 7.00 [178] PADLOCKABLE HANDLE
- SCE-PCH7 7.00 [178] PADLOCKABLE COIN-PROOF HANDLE
- SCE-PKH7 7.00 [178] PADLOCKABLE AND KEY-LOCKING HANDLE

PURCHASE THE SCE-ARK36 DOOR ROD KIT FOR 2 OR 3 POINT LATCHING.

1. TO INSTALL DOOR HANDLE LOCATE AND DRILL HOLES (HOLE PUNCH AVAILABLE SCE-HP1)
2. INSTALL ROD GUIDES (CAN BE WELDED OR BOLTED TO DOOR)
3. MEASURE FROM TOP OR BOTTOM OF DOOR TO CENTERLINE OF THE DOOR HANDLE HOLE AND SUBTRACT 0.88 [22] FOR DOOR ROD LENGTH
4. DRILL A 0.39 [10] DIA. HOLE 0.38 [10] FROM THE END OF THE ROD
5. INSTALL DOOR HANDLE, AND INSTALL LATCH PLATE
6. INSERT DOOR ROD THROUGH THE ROD GUIDE BEFORE ASSEMBLING THE ROLLERS
7. ATTACH RODS TO THE DOOR LATCH PLATE AND INSTALL ROLLERS TO THE DOOR ROD

