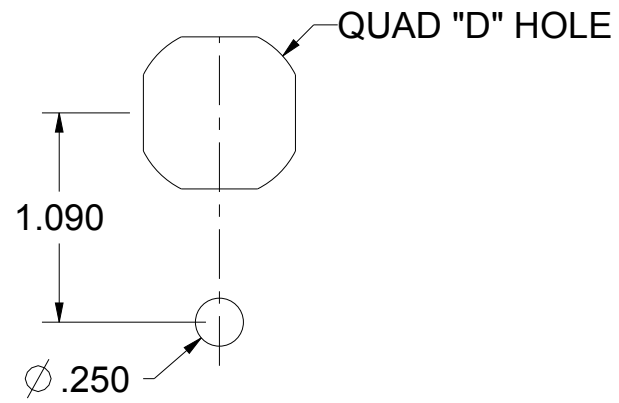


HOLE LAYOUT OF STANDARD DOOR HARDWARE

SCE-PKH5 SCE-PKH7
 SCE-PCH5 SCE-PCH
 SCE-PH5 SCE-PH7

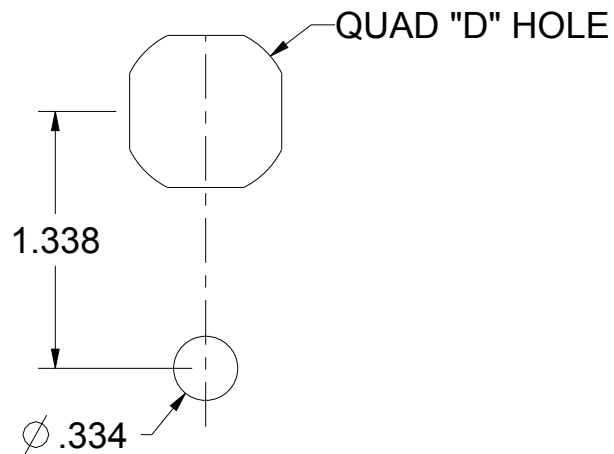


FOR 5.00"
 OR 7.00"
 ZINC HANDLES

DISTANCE OFF DOOR
 OPENING TO CUTOUT:

SMALL DOOR HARDWARE: 1.25"
 LARGE DOOR HARDWARE: 2.00"

SCE-SSPH5
 SCE-SSPCH5

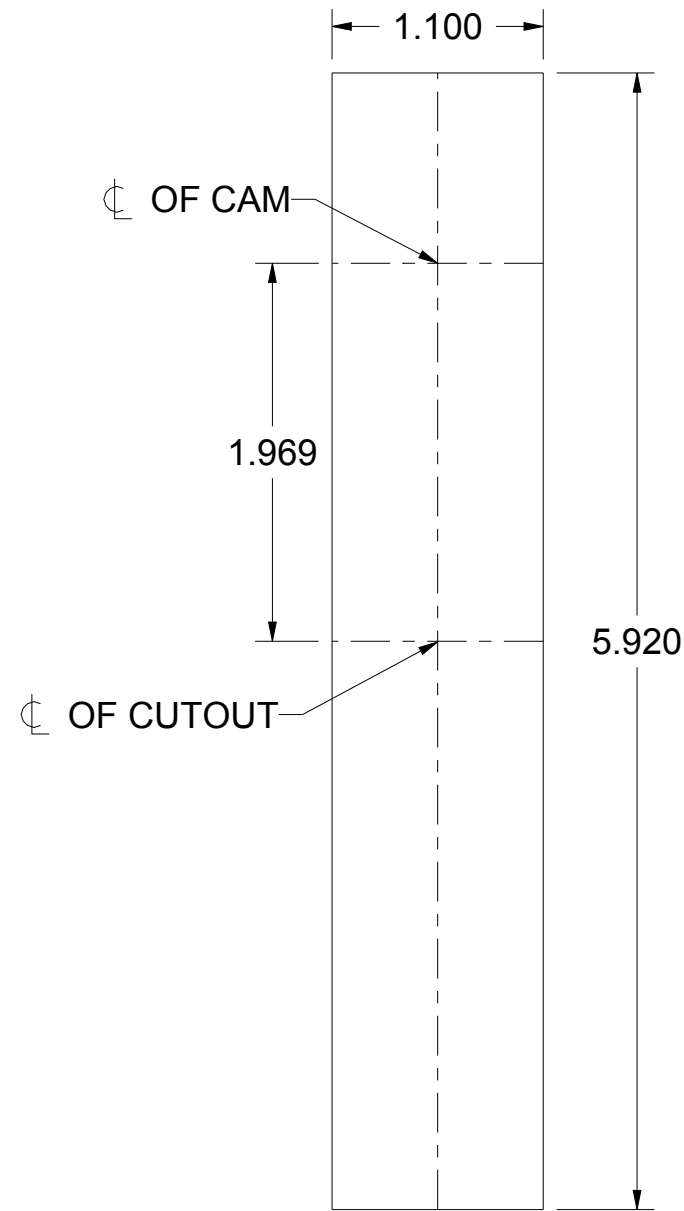


FOR 5.00"
 S.S.HANDLES

DISTANCE OFF DOOR
 OPENING TO CUTOUT:

SMALL DOOR HARDWARE: 1.25"
 LARGE DOOR HARDWARE: 2.00"

SCE-FSH2
 SCE-FSH4
 SCE-FSH6
 SCE-FSH8

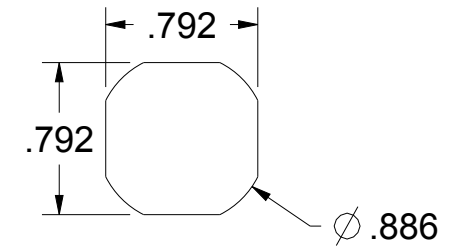


FOR FLUSH MOUNT
 HANDLES

DISTANCE OFF DOOR
 OPENING TO CUTOUT:

SMALL DOOR HARDWARE: 1.25"
 LARGE DOOR HARDWARE: 2.00"

SCE-DLWKC SCE-PLHG SCE-KLWN
 SCE-DLWKF SCE-DLSSB SCE-DL7TE
 SCE-DL7SC SCE-DLSB SCE-ELPL
 SCE-DLCA, SCE-NLTH SCE-ELKL
 SCE-DLKLD SCE-DLSBB SCE-PLWKB
 SCE-KLWNB

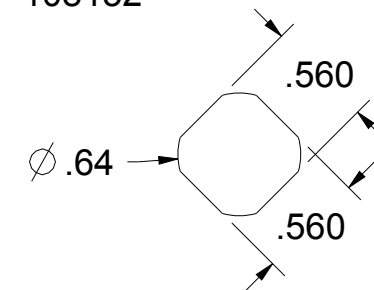


QUAD "D" HOLE

DISTANCE OFF DOOR
 OPENING TO CUTOUT:

28MM. CAM- 1.25"
 7.5MM CAM- 1.57"
 ELJ CAM--- 1.36"

SCE-MINQKLB SCE-MINQLB
 SCE-MINQ-28 SCE-MINQB-28
 SCE-MINQELJ SCE-MINQ-7
 101788 104883
 108152



MINI QUAD "D" HOLE

DISTANCE OFF DOOR
 OPENING TO CUTOUT:

28MM. CAM- 0.75"
 7.5MM CAM- 0.75"
 ELJ CAM--- 0.81"