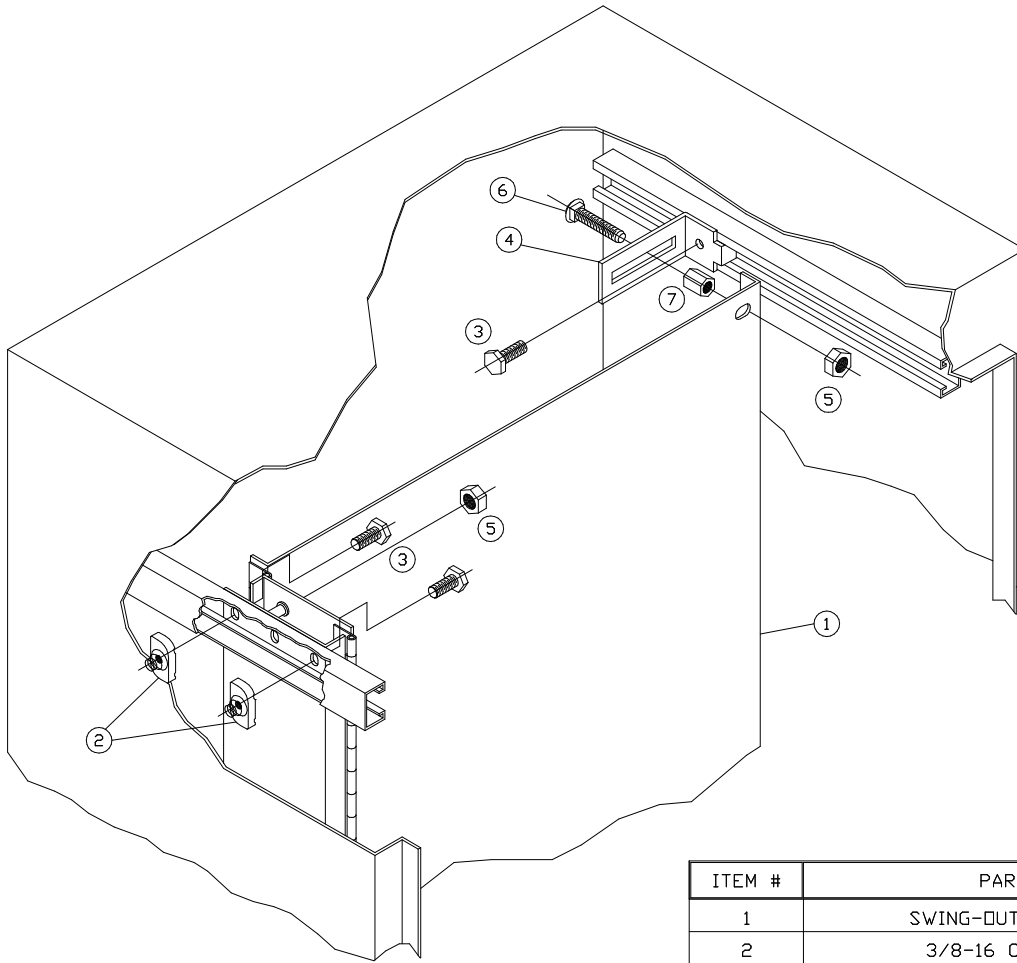


SWING-OUT PANEL

SCE-72SP24F3 SCE-72SP24F4
 SCE-72SP30F3 SCE-72SP30F4
 SCE-72SP36F3 SCE-72SP36F4
 SCE-90SP36F3 SCE-90SP36F4



ITEM #	PART NAME	QTY. FULL PANEL
1	SWING-OUT PANEL ASSY.	1
2	3/8-16 CHANNEL NUT	12
3	3/8-16 X 3/4 SERRATED FLANGED BOLT	12
4	PANEL SUPPORT BRACKET	3
5	3/8-16 SERRATED FLANGED NUT	6
6	CARRIAGE BOLT, 3/8-16 X 2	3
7	STANDOFF NUT, 3/8-16	3

INSTALLATION INSTRUCTIONS

STEP 1: ATTACH THE HINGED SIDE OF THE SWING-OUT PANEL ASSEMBLY (ITEM 1) TO THE MOUNTING CHANNELS ON ONE SIDE OF THE ENCLOSURE. SECURE IN PLACE WITH CHANNEL NUTS AND BOLTS (ITEMS 2 & 3). THE CHANNEL NUTS FIT INSIDE MOUNTING CHANNELS.

STEP 2: INSTALL THE PANEL SUPPORTS (ITEM 4) ON MOUNTING CHANNELS ON THE OTHER SIDE OF THE ENCLOSURE (OR ON THE CENTER PANEL SUPPORT ON TWO DOOR ENCLOSURES). SECURE PANEL SUPPORTS IN PLACE WITH CHANNEL NUTS AND BOLTS (ITEMS 2 & 3). CHANNEL NUTS ARE NOT REQUIRED WHEN INSTALLING PANEL SUPPORTS ON THE CENTER PANEL SUPPORT. INSTALL CARRIAGE BOLTS AND STANDOFF NUTS (ITEMS 6 & 7) ON EACH PANEL SUPPORT IN LOCATION SHOWN.

STEP 3: SWING THE PANEL INTO THE ENCLOSURE AND SECURE IT TO THE PANEL SUPPORTS AND STUDS PROVIDED ON THE HINGED SIDE OF THE SWING-OUT PANEL ASSEMBLY. USE SERRATED FLANGED NUTS (ITEM 5).

NOTE: HALF SWING-OUT PANEL FITS IN TOP HALF OR BOTTOM HALF OF ENCLOSURE. PANEL WILL SWING COMPLETELY OUT OF THE ENCLOSURE IF PANEL SURFACE IS 10-3/4 OR LESS FROM THE INSIDE OF THE ENCLOSURE DOOR. PANEL CAN BE INSTALLED FURTHER BACK IF DESIRED.