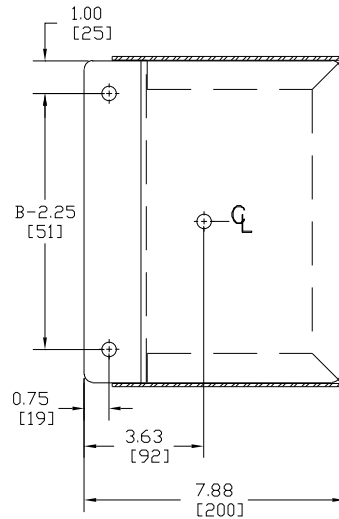
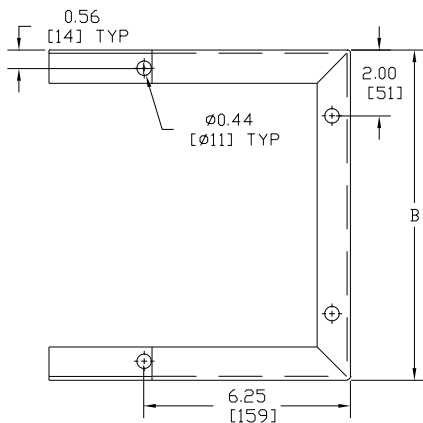
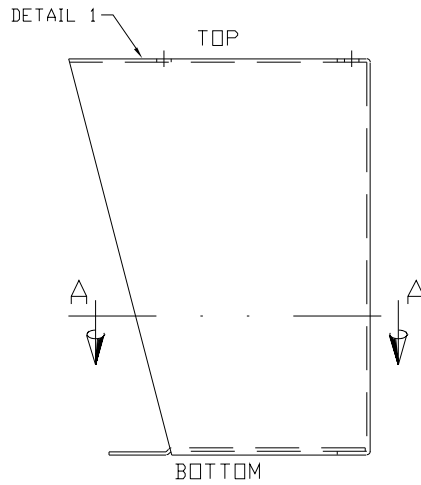
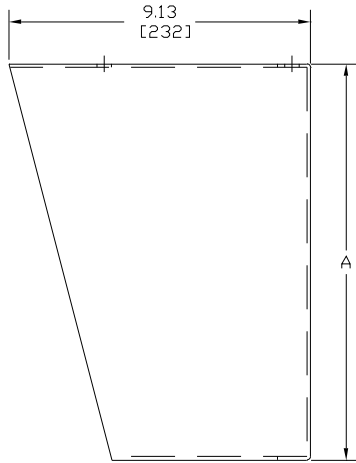


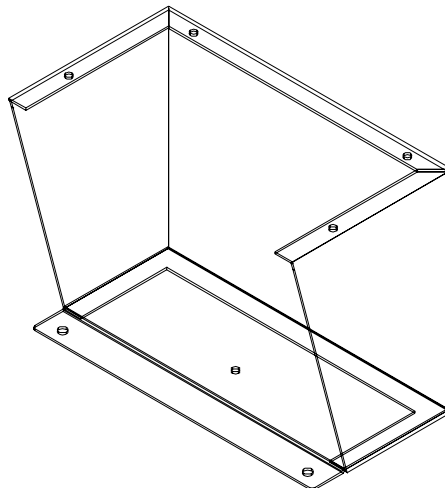
FLOOR STAND HOLE LAYOUT



DETAIL 1

SECTION A-A

MATERIAL LIST	QTY.
3/8-16 X 3/4 BOLT	8
3/8-16 NUT	8



PART #	A	B
SCE-FK0608	6.00 [152]	8.00 [203]
SCE-FK0610	6.00 [152]	10.00 [254]
SCE-FK0612	6.00 [152]	12.00 [305]
SCE-FK0618	6.00 [152]	18.00 [457]
SCE-FK0624	6.00 [152]	24.00 [610]
SCE-FK1208	12.00 [305]	8.00 [203]
SCE-FK1210	12.00 [305]	10.00 [254]
SCE-FK1212	12.00 [305]	12.00 [305]
SCE-FK1216	12.00 [305]	16.00 [406]
SCE-FK1218	12.00 [305]	18.00 [457]
SCE-FK1220	12.00 [305]	20.00 [508]
SCE-FK1224	12.00 [305]	24.00 [610]
SCE-FK1512	15.00 [381]	12.00 [305]
SCE-FK1516	15.00 [381]	16.00 [406]
SCE-FK1518	15.00 [381]	18.00 [457]
SCE-FK1524	15.00 [381]	24.00 [610]
SCE-FK1808	18.00 [457]	8.00 [203]
SCE-FK1810	18.00 [457]	10.00 [254]
SCE-FK1812	18.00 [457]	12.00 [305]
SCE-FK1816	18.00 [457]	16.00 [406]
SCE-FK1824	18.00 [457]	24.00 [610]
SCE-FK1208SS	12.00 [305]	8.00 [203]
SCE-FK1210SS	12.00 [305]	10.00 [254]
SCE-FK1212SS	12.00 [305]	12.00 [305]
SCE-FK1216SS	12.00 [305]	16.00 [406]
SCE-FK1218SS	12.00 [305]	18.00 [457]
SCE-FK1224SS	12.00 [305]	24.00 [610]
SCE-FK1512SS	15.00 [381]	12.00 [305]
SCE-FK1518SS	15.00 [381]	18.00 [457]
SCE-FK1524SS	15.00 [381]	24.00 [610]
SCE-FK2410SS	24.00 [610]	10.00 [254]
SCE-FK2412SS	24.00 [610]	12.00 [305]