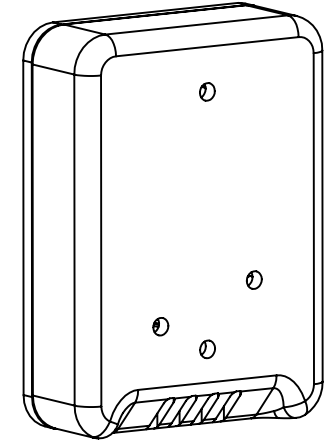
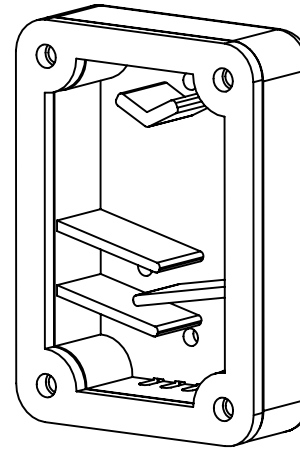
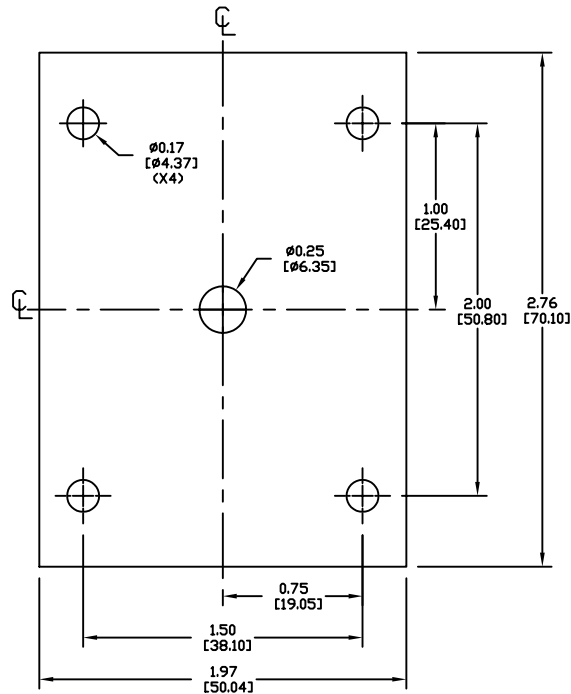


SCE-DV4XKIT

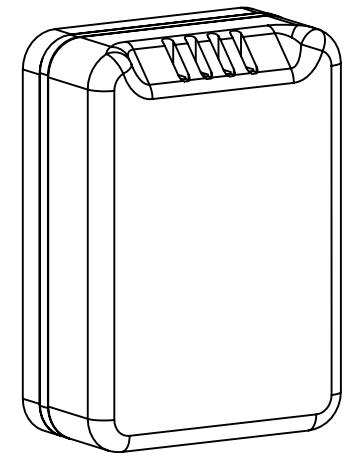
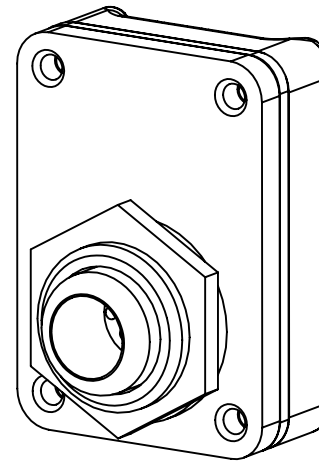
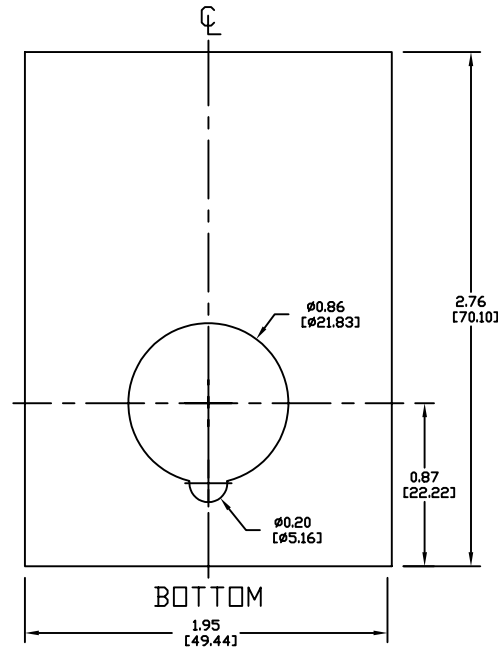
1. Drain vent should be mounted to the outside surface near the bottom of the enclosure.
2. Drill holes per drawing labeled SCE-DV4XKIT.
3. Enclosure surface should be clean and free of burrs and fiber pull outs.
4. Assemble to enclosure using EPDM gasket and screws that are provided.



Part I.D. 109299

SCE-BV4XKIT

1. Air vent should be mounted to the outside surface near the top of the enclosure.
2. Drill hole per drawing labeled SCE-BV4XKIT.
3. Enclosure surface should be clean and free of burrs and fiber pull outs.
4. Assemble to enclosure using round EPDM gasket and nut that is provided.



Part I.D. 109298

Windchill Reference Drawing

Drawing: SCE-VENTS.DWG



SAGINAW CONTROL AND ENGINEERING
 95 MIDLAND ROAD
 SAGINAW, MICHIGAN 48638
 PHONE 989-799-6371
 FAX 989-799-4524