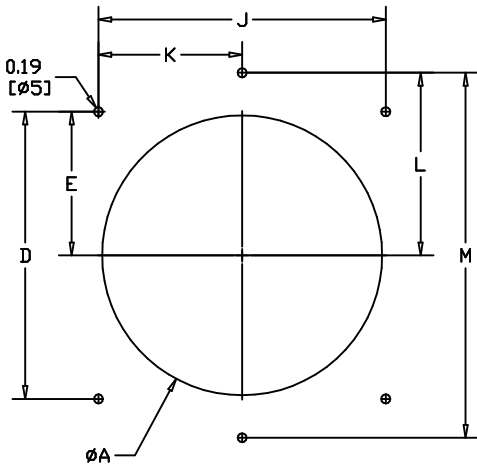
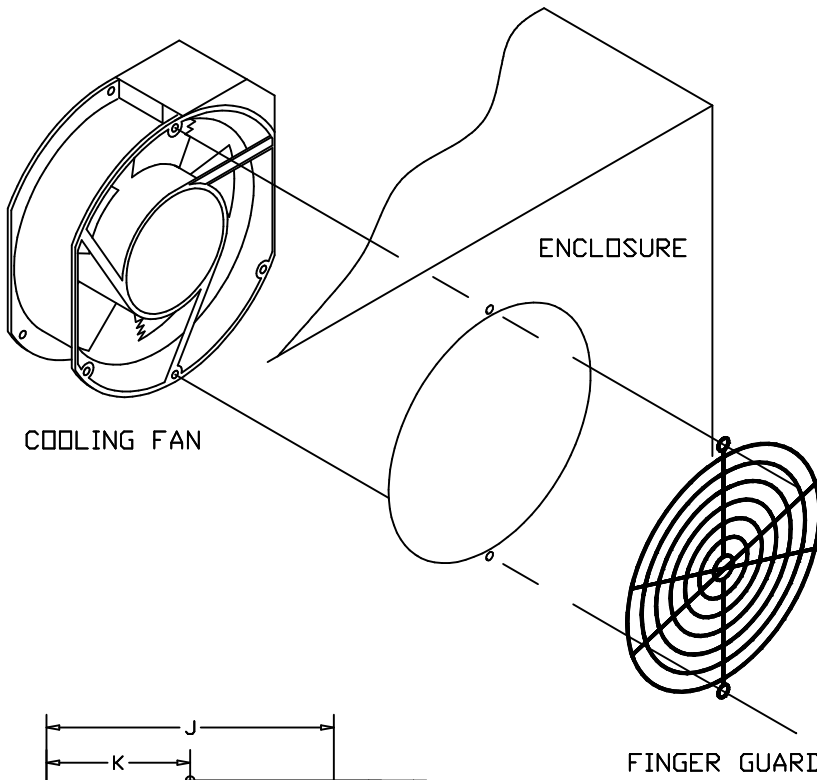


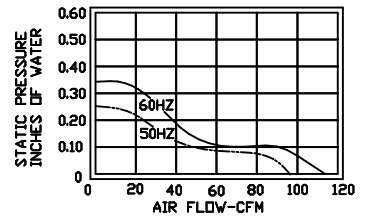
# COOLING FAN



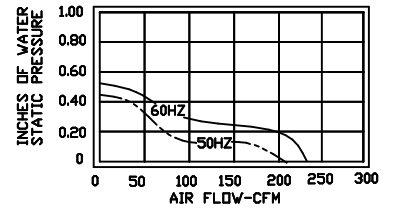
MOUNTING CUTOUT DIMENSIONS

ONE FINGER GUARD IS INCLUDED. AN ADDITIONAL FINGER GUARD MAY BE MOUNTED ON EITHER SIDE OF THE FAN FOR MAXIMUM SAFETY.

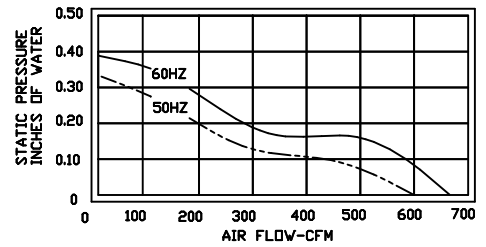
PERFORMANCE CURVE FOR 4.00 [102] FAN



PERFORMANCE CURVE FOR 6.00 [152] FAN



PERFORMANCE CURVE FOR 10.00 [254] FAN



PART#	CFM	WATTS	VOLTAGE	HZ	LINE AMPS	MOTOR RPM	SERVICE TEMP. F° (C°)	NOISE SIL dB
SCE-CF4	95/115	23/20	115V	50/60Hz	0.12/0.11	2600/3000	120° (49°)	41/44 dB
SEC-CF6	203/238	47/41	115V	50/60Hz	0.21/0.26	2700/3000	122° (50°)	51/55 dB
SEC-CF10	600/665	32/35	115V	50/60Hz	0.28/0.30 AMP	1400/1650	140° (60°)	52/55 dB
SCE-CF4230	95/115	23/20	220/230	50/60Hz	0.20 AMP	2600/3000	120° (49°)	41/44 dB
SEC-CF6230	203/238	47/41	220/230	50/60Hz	0.40 AMP	2700/3000	122° (50°)	51/55 dB
SEC-CF10230	600/665	32/35	220/230	50/60Hz	0.16/0.17 AMP	1400/1650	140° (60°)	52/55 dB

PART #	ØA	D	E	J	K	L	M	FINGER GUARD
SCE-CF4	4.62 [117]	4.12 [105]	2.06 [52]	4.12 [105]	2.06 [52]			SCE-GARD4
SCE-CF6	5.88 [149]					3.19 [81]	6.38 [162]	SCE-GARD6
SCE-CF10	9.00 [229]	6.88 [175]	3.44 [87]	6.88 [175]	3.44 [87]			SCE-GARD10

LIFE EXPECTANCE-70,000 HOURS MIN. @ 25° C  
OPERATING TEMPERATURE -10° C~+65° C/66%