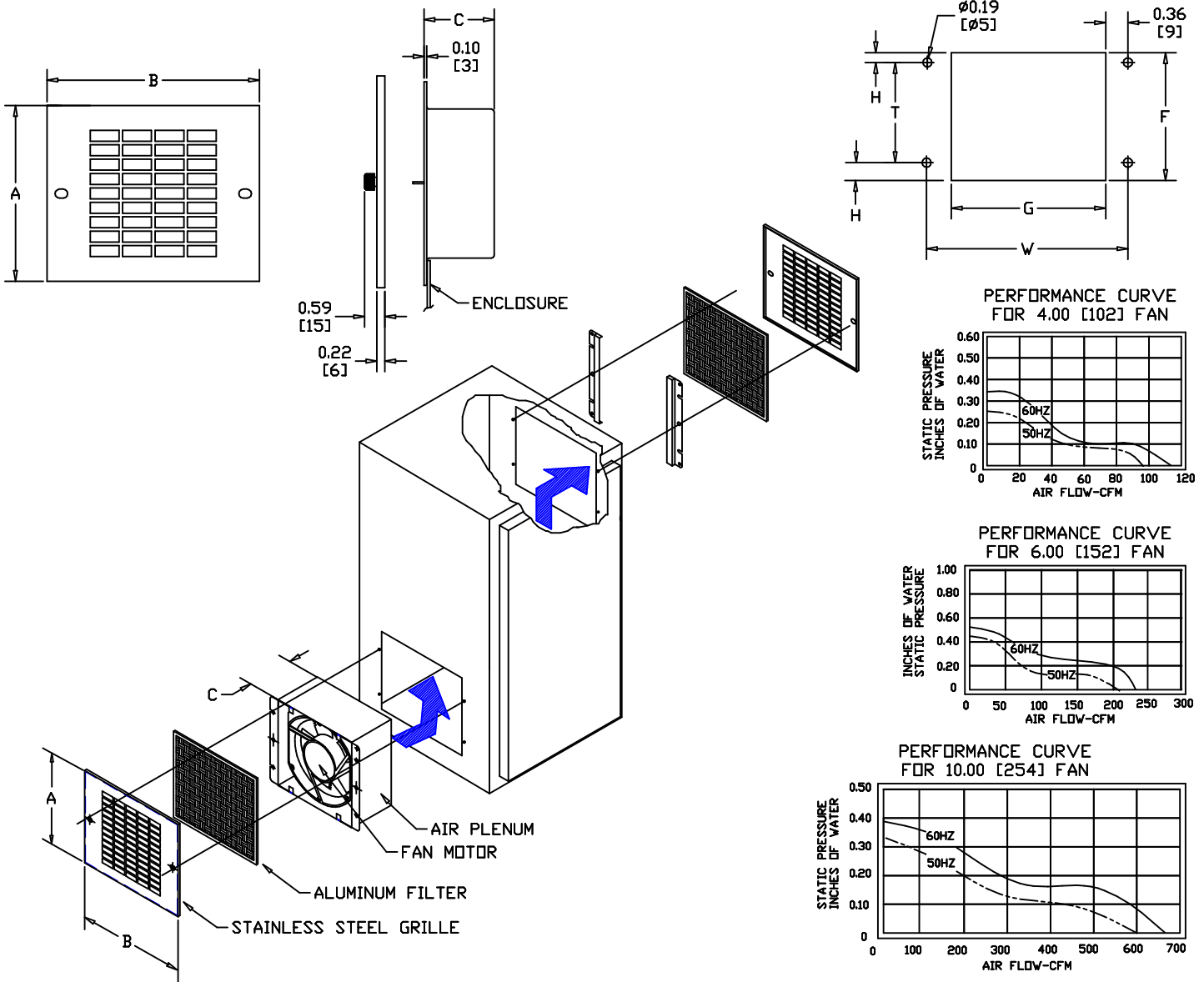


FAN PACKAGES



COOLING FAN PACKAGES (INCLUDES FAN, GRILLE, AND FILTER)

CATALOG NUMBER	CFM 50/60 Hz	WATTS	VOLTAGE	Hz	LINE AMPS	MOTOR RPM	SERVICE TEMP. °F (°C)	NOISE SIL. (DB)	WEIGHT LB. (KG.)
SCE-FA44	95/115	23/20	115V	50/60	0.12/0.11	2600/3000	120 (49)	41/44dB	4.20 (1.90)
SCE-FA66	203/238	47/41	115V	50/60	0.21/0.26	2700/3000	122 (50)	51/55 dB	5.30 (2.40)
SCE-FA1010	600/665	32/35	115V	50/60	0.28/0.30	1400/1650	140 (60)	52/55 dB	12.00 (5.40)
SCE-FA44230	95/115	23/20	220/230V	50/60	0.20	2600/3000	120 (49)	41/44 dB	4.20 (1.90)
SCE-FA66230	203/238	47/41	220/230V	50/60	0.40	2700/3000	122 (50)	51/55 dB	5.30 (2.40)
SCE-FA1010230	600/665	32/35	220/230V	50/60	0.16/0.17	1400/1650	140 (60)	52/55 dB	12.00 (5.40)

LIFE EXPECTANCE-70,000 HOURS MIN. @ 25° C
 OPERATING TEMPERATURE -10° C~+65° C/66%

DIMENSIONS FOR COOLING FAN CUTOUT

CATALOG NUMBER	DIMENSIONS A x B x C	F	G	H	T	W
SCE-FA44	6.11 x 7.38 x 3.28	5.66	5.66	0.77	4.12	6.38
SCE-FGA44	[155] x [187] x [83]	[144]	[144]	[20]	[105]	[162]
SCE-FA66	7.61 x 8.88 x 3.75	7.16	7.16	1.33	4.50	7.88
SCE-FGA66	[193] x [225] x [95]	[182]	[182]	[34]	[114]	[200]
SCE-FA1010	11.62 x 13.00 x 5.25	11.16	11.16	2.14	6.88	11.88
SCE-FGA1010	[295] x [330] x [133]	[283]	[283]	[54]	[175]	[302]

EXHAUST GRILLE AND FILTER PACKAGES

CATALOG NUMBER	GRILLE SIZE	FILTER SIZE	CUTOUT F x G
SCE-FGA44	6.11 x 7.38 [155] x [187]	5.42 SQUARE	5.66 x 5.66 [144] x [144]
SCE-FGA66	7.61 x 8.88 [193] x [225]	6.92 SQUARE	7.16 x 7.16 [182] x [182]
SCE-FGA1010	11.62 x 13.00 [295] x [330]	10.92 SQUARE	11.16 x 11.16 [283] x [283]