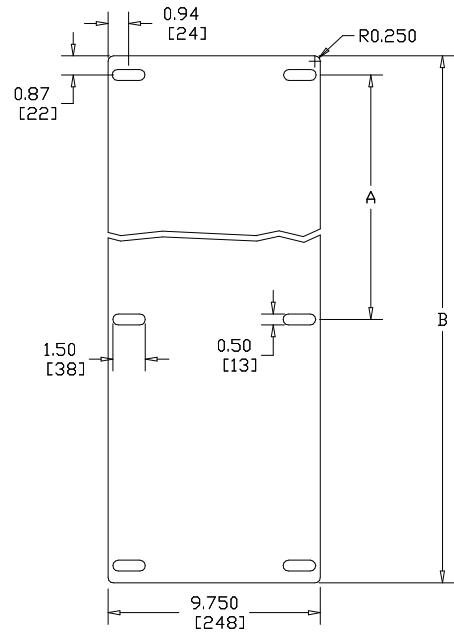
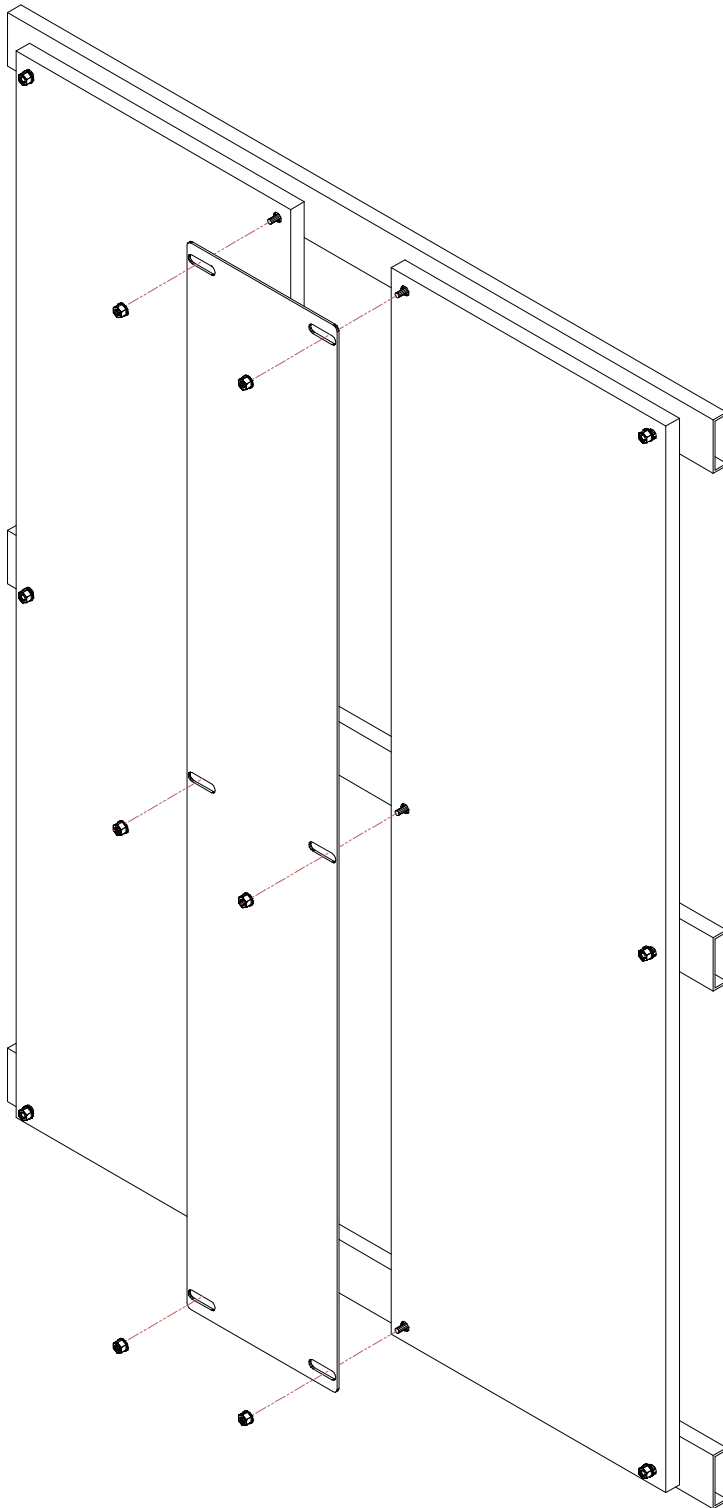


SCE FILLER PLATES



| | WHEN ENC. HEIGHT IS 72.00 [1829] | WHEN ENC. HEIGHT IS 84.00 [2134] | WHEN ENC. HEIGHT IS 90.00 [2286] |
|---|----------------------------------|----------------------------------|----------------------------------|
| | PART # SCE-72FP | PART # SCE-84FP | PART # SCE-90FP |
| A | 29.13 [740] | 35.13 [892] | 38.13 [968] |
| B | 60.00 [1524] | 72.00 [1829] | 78.00 [1981] |

NOTE:
PARTS ARE MADE OF 0.125 [3] H.R.S.

