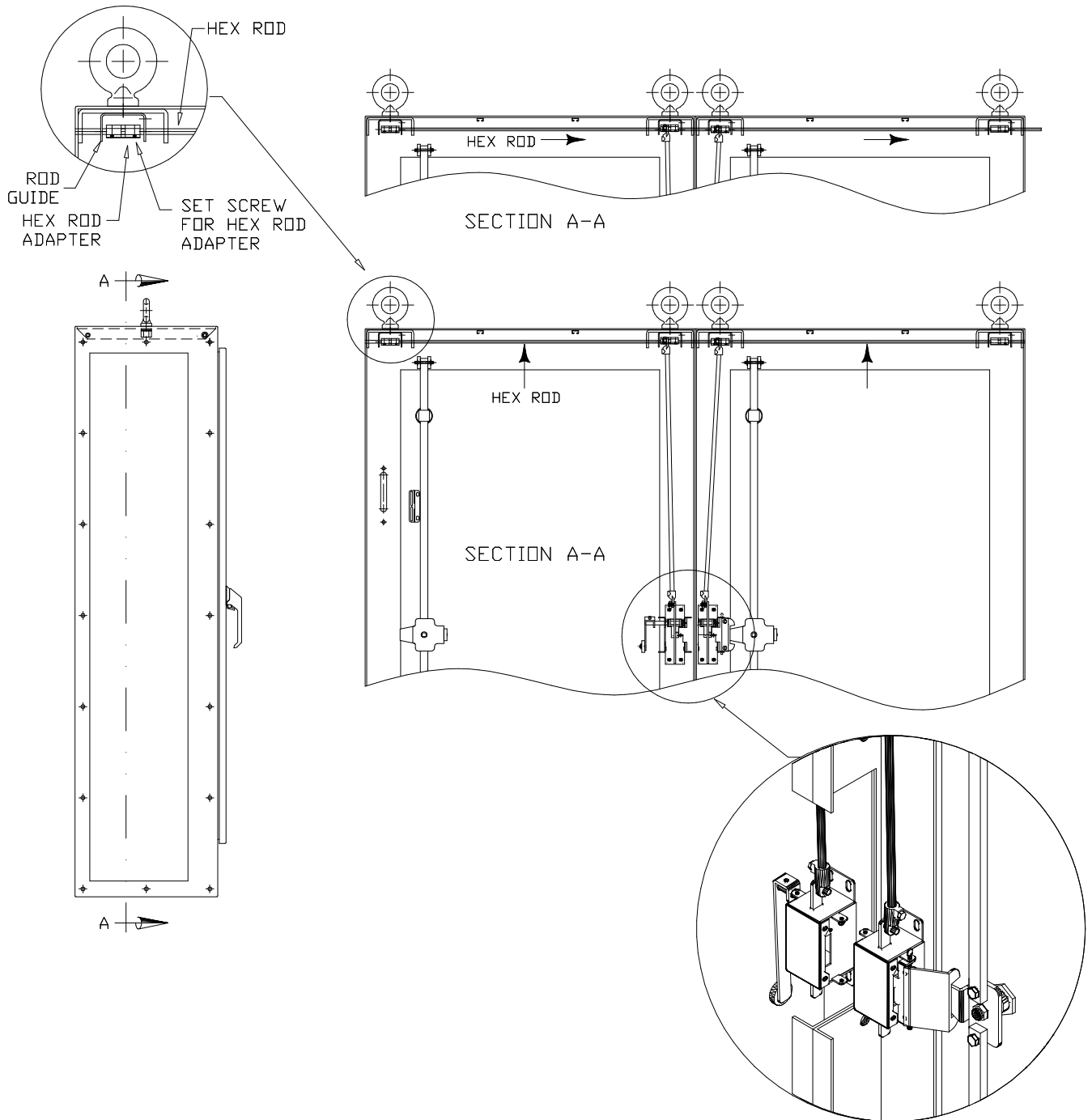


# MECHANICAL INTERLOCK IN MOD ENCLOSURES



## INSTALLATION INSTRUCTIONS

1. ONCE ALL OF THE ENCLOSURES ARE IN PLACE AND PROPERLY ALIGNED, LOOSEN ALL OF THE SET SCREWS ON THE HEX ROD ADAPTERS ON ALL OF THE ENCLOSURES INTERLOCK SYSTEM.
2. SLIDE THE HEX ROD HORIZONTALLY INTO THE NEXT ENCLOSURE. THE HEX ROD WILL THEN PROTRUDE APPROXIMATELY HALF WAY INTO THE HEX ROD ADAPTER OF THE ADJACENT ENCLOSURE.
3. RE-TIGHTEN ALL OF THE SET SCREWS ON THE ROD ADAPTERS AND CUT OFF ANY EXTRA HEX ROD THAT MAY BE PROTRUDING FROM THE END ENCLOSURE.
4. IF ALL DOORS ARE NOT ENGAGING PROPERLY AT THE INTERLOCK AT THIS POINT, ADJUSTMENTS MAY BE MADE AT THE VERTICAL RODS, BY LOOSENING THE SET SCREWS ON THE VERTICAL ROD ADAPTERS YOU CAN ADJUST THE POSITION AND GRAB OF THE INTERLOCK.
5. FOR BEST RESULTS THE MECHANICAL INTERLOCK FUNCTIONS MAKE SURE THAT ALL INTERSECTING POINTS OF THE HEX ROD AND THE ROD GUIDE ARE LUBRICATED AND PROPERLY ALIGNED SO THAT THE HEX ROD CAN MOVE FREELY.