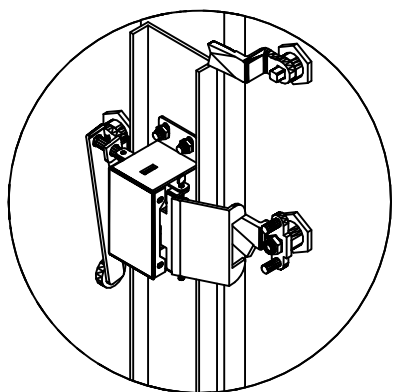
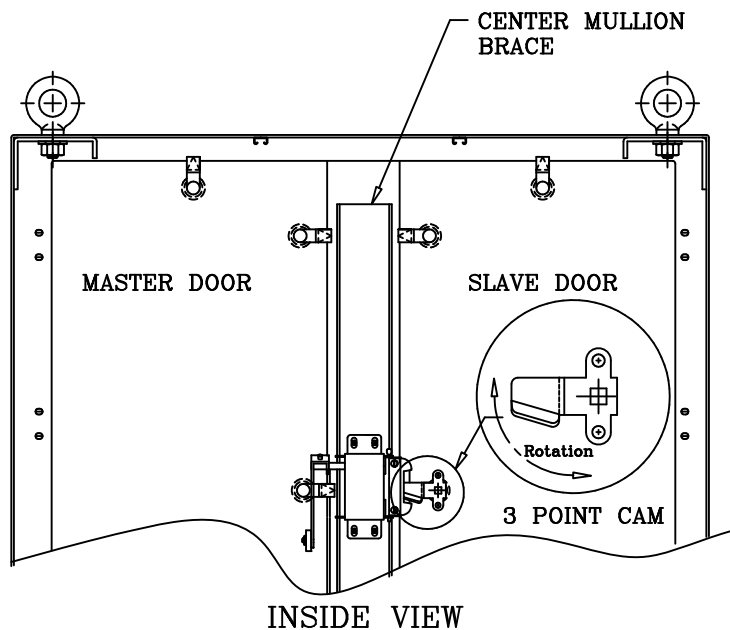
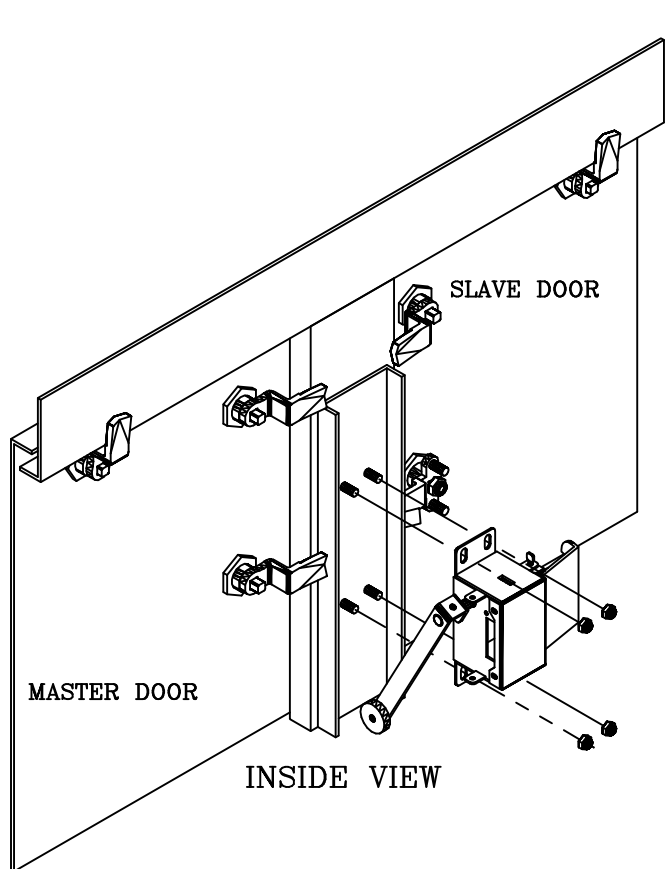
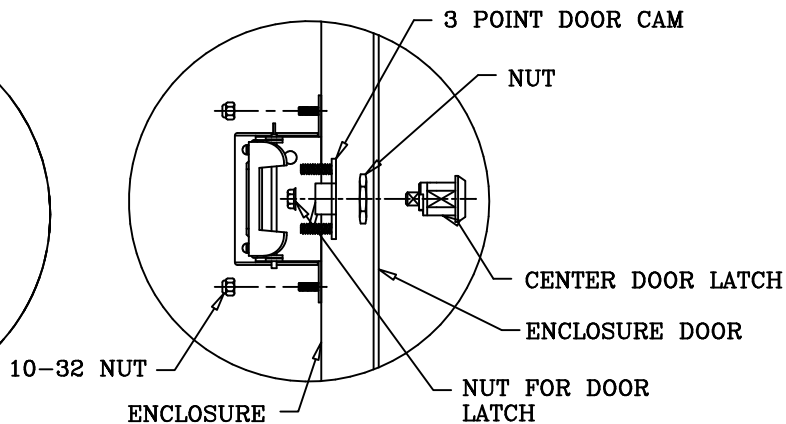
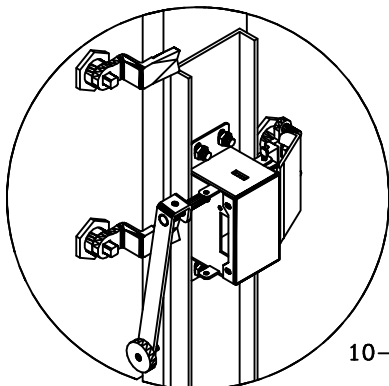


# MECHANICAL INTERLOCK SCE-MI2



INSIDE VIEW



## INSTALLATION INSTRUCTIONS

1. REMOVE THE CAM FROM THE CENTER DOOR LATCH OF THE SLAVE DOOR AND REPLACE WITH THE SPECIAL CAM PROVIDED WITH THE INTERLOCK KIT.
2. INSTALL THE SCE-MI2 INTERLOCK TO THE STUDS PROVIDED ON THE CENTER MULLION BRACE.
3. ADJUSTMENT MAY BE MADE BY LOOSENING THE NUTS ON THE SCE-MI2 AND MOVING IT UP OR DOWN TO ENGAGE ON THE CAM PROPERLY AND RETIGHTEN.