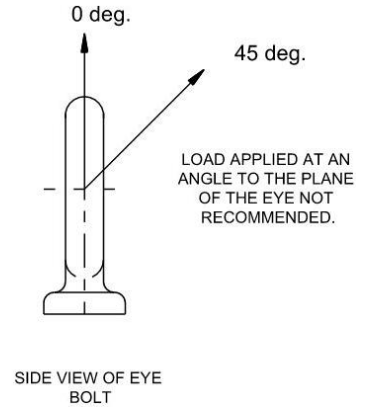
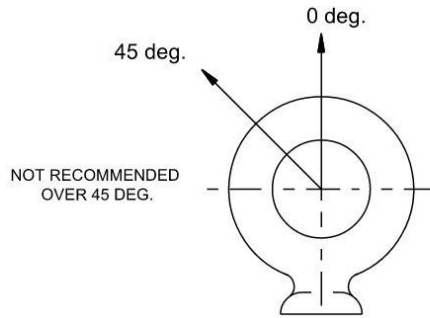


EYE BOLT CAPACITY

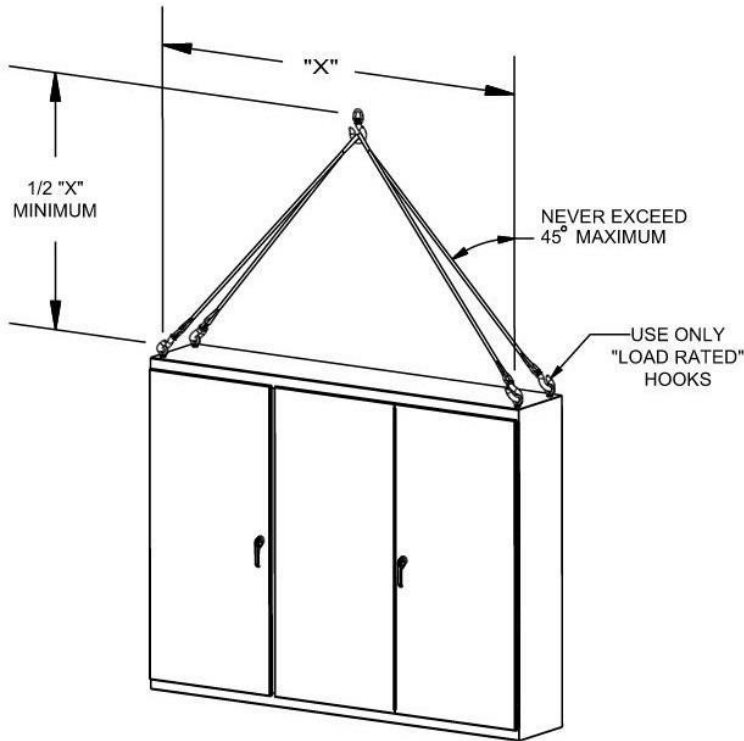


WARNING!

RATED CAPACITY IS SUBSTANTIALLY REDUCED WHEN LOADING AT ANY ANGLE. LOADING MUST NEVER BE MADE AT AN ANGLE GREATER THEN 45° FROM BOLT CENTERLINE. AT AN ANGLE OF 45° RATED CAPACITY IS REDUCED TO 25%.



A	B	C	D	E	F	G	LIFT CAPACITY PER EYEBOLT	
							0°	45°
0.50 [13]	1.50 [38]	1.19 [30]	2.25 [57]	0.91 [23]	0.22 [6]	1.31 [33]	1300	325
0.63 [16]	1.88 [48]	1.38 [35]	2.44 [64]	1.03 [26]	0.25 [6]	1.31 [33]	1600	400
0.75 [19]	2.00 [51]	1.50 [38]	2.81 [71]	1.19 [30]	0.25 [6]	1.72 [44]	3000	750



EYEBOLTS SHOULDER PATTERN

