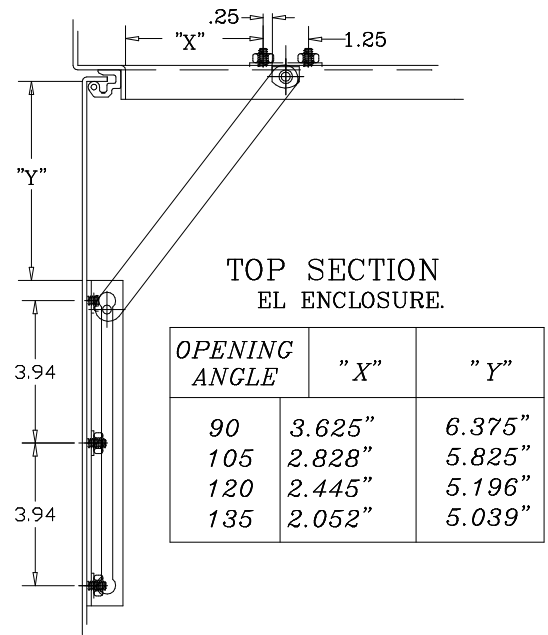
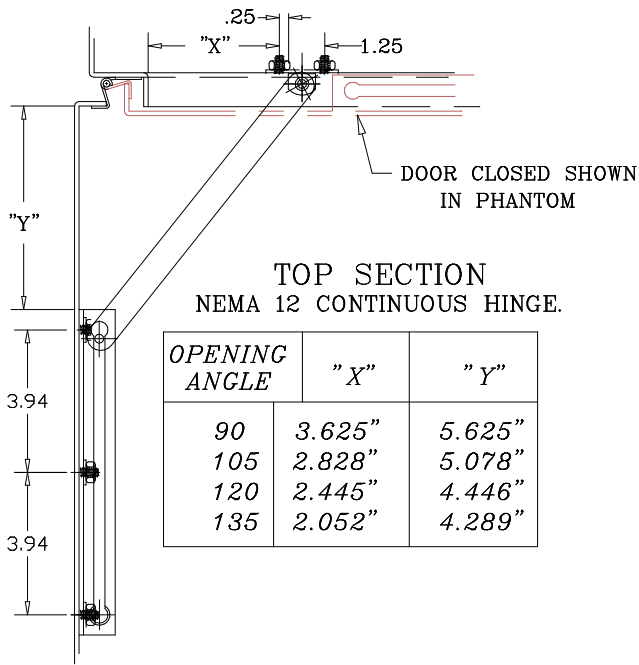


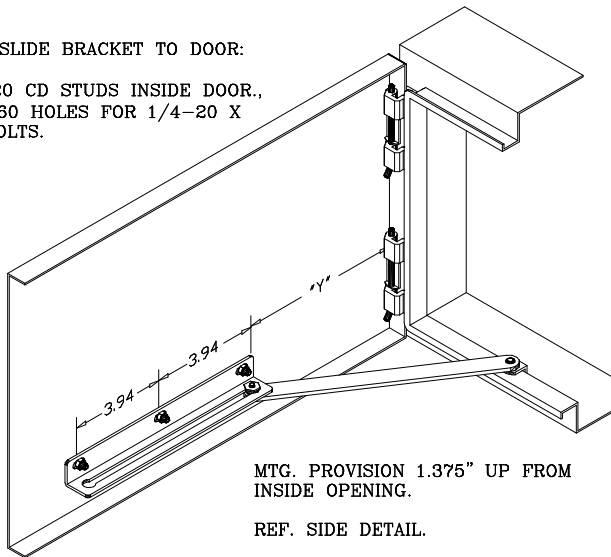
# DOOR STOP KIT

SCE-DSTOPK



MTG. SLIDE BRACKET TO DOOR:

1/4-20 CD STUDS INSIDE DOOR.,  
OR .260 HOLES FOR 1/4-20 X  
.75 BOLTS.

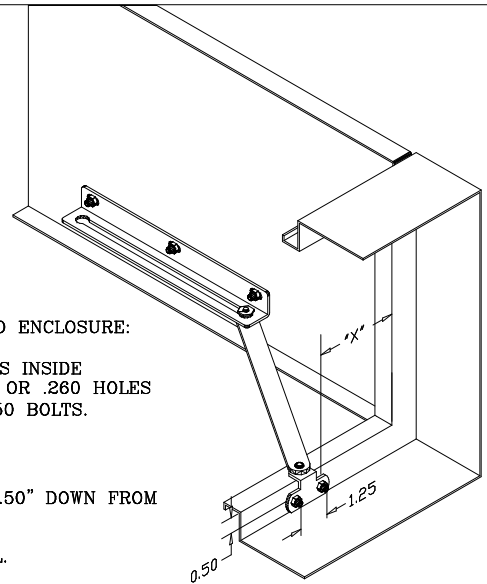


MTG. BRACKET TO ENCLOSURE:

1/4-20 CD STUDS INSIDE  
BOTTOM FLANGE, OR .260 HOLES  
FOR 1/4-20 X .50 BOLTS.

MTG. PROVISION .50" DOWN FROM  
INSIDE OPENING.

REF. SIDE DETAIL.



## SIDE SECTION

